

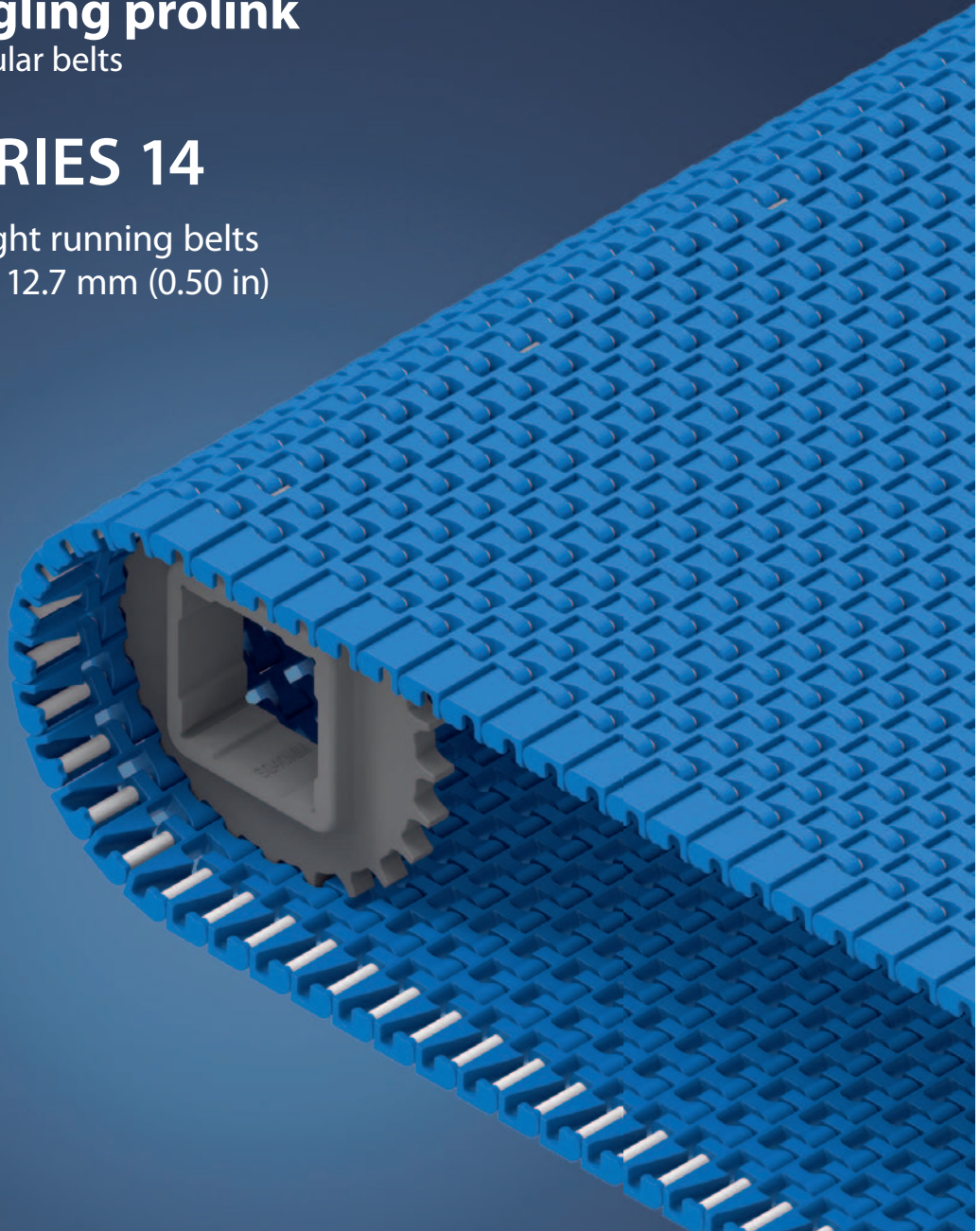
EXCERPT FROM PROLINK ENGINEERING MANUAL

01/20 (Ref-No. 888)

siegling prolink
modular belts

SERIES 14

Straight running belts
Pitch 12.7 mm (0.50 in)



Forbo Siegling GmbH
Lilienthalstraße 6/8, D-30179 Hannover
Phone +49 511 6704 0
www.forbo-siegling.com, siegling@forbo.com

Ref. no. 888-2_1.2_S14

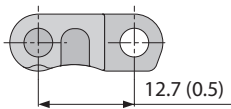
SERIES 14 | OVERVIEW

siegling prolink
modular belts

Straight running belts | Pitch 12.7 mm (0.50 in)

Belts for medium-duty food and non-food applications

Side view scale 1:1



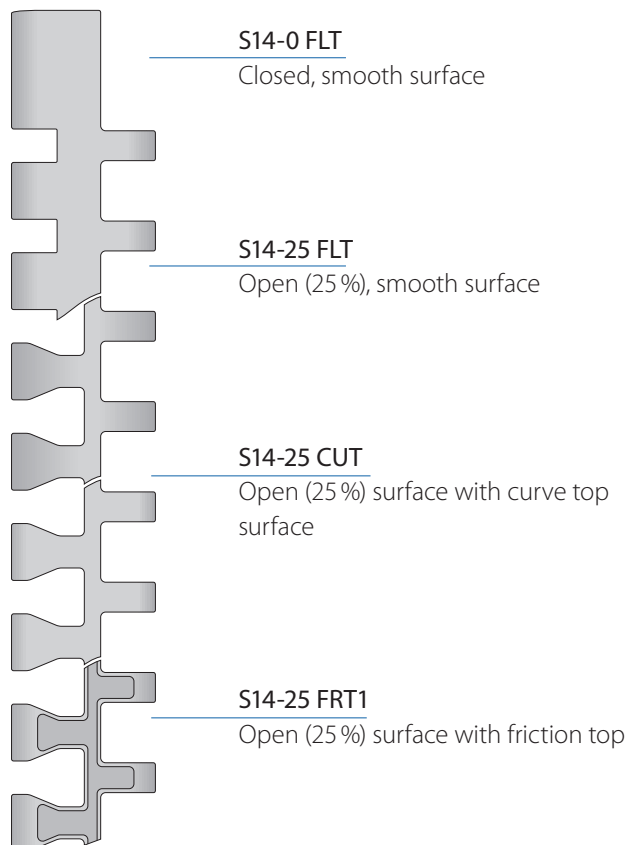
Design characteristics

- Mini pitch belt with small transfer gap
- Robust design guarantees superior durability and high belt pull capacity
- Design for smooth run on 19 mm (0.75 in) nose bar
- Headless pin system making it easy to install and remove the belt for maintenance
- Closed, solid belt edge to prevent belt edge damages

Basic data

Pitch	12.7 mm (0.50 in)
Belt width min.	76.2 mm (3.0 in)
Width increments	12.7 mm (0.50 in)
Hinge pins	3.4 mm (0.13 in) made of plastic

Available surface pattern and opening area



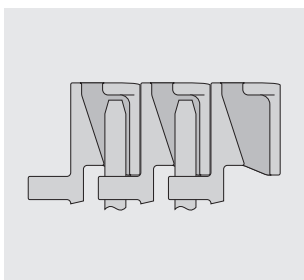
Sprockets

in different sizes with round or square sprocket bore



Detail hinge pin

Headless one-piece pin with unique retention system ensures trouble free installation and maintenance



Certified

NSF-compliant from these certified Forbo plants:
Huntersville (USA), Malacky (Slovakia), NSW (Australia),
Tlalnepantla (Mexico), Saint-Petersburg (Russia),
Shizuoka (Japan), Maharashtra (India)

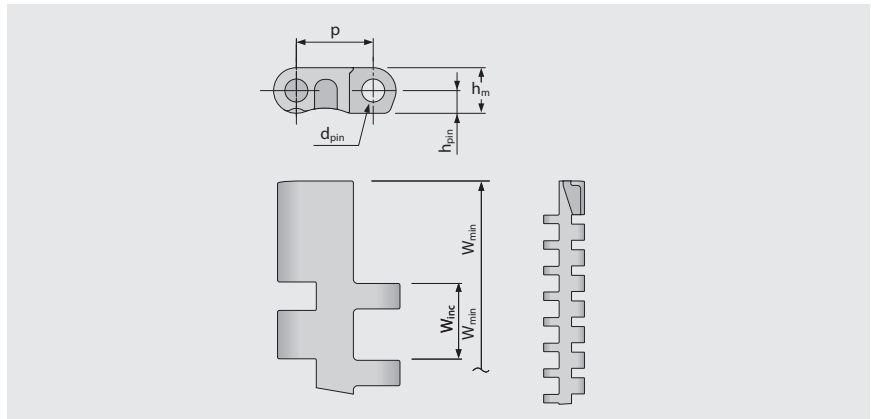
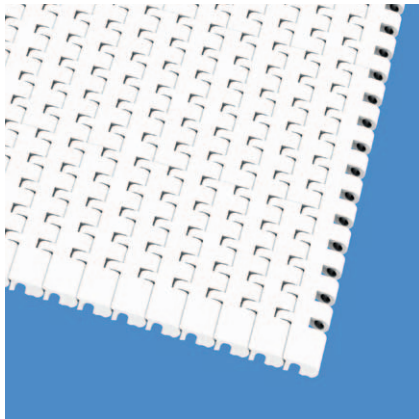
SERIES 14 | BELT TYPES

siegling prolink
modular belts

Straight running belt | Pitch 12.7 mm (0.50 in)

S14-0 FLT | 0% Opening | Flat top

Closed, smooth surface | Flat top surface



Belt dimensions

	p	d _{pin}	h _m	h _{pin}	h _s	W _{min}	W _{inc}	W _{tol}	Minimum flex radii ¹⁾				
	Pitch	Pin Ø	Thickness [mm]	Pin position [mm]	Height [mm]	Width min. [mm]	Width Increment [mm]	Width tolerance [%]	r1	r2	r3	r4	r5
mm	12.7	3.4	7.5	3.8	0.0	76.2	12.7	±0.20	–	9.5	25.4	38.1	12.7
inch	0.5	0.13	0.3	0.15	0.0	3.0	0.5	±0.20	–	0.38	1.0	1.5	0.5

Available standard materials⁴⁾

Belt		Pin		Nominal belt pull, straight		Weight		Width deviation	Temperature		Certificates	
Material	Color	Material	Color	[N/mm]	[lb/ft]	[kg/m ²]	[lb/ft ²]	[%]	[°C]	[°F]	FDA ²⁾	EU ³⁾
POM	BL	PBT	UC	24	1645	7.5	1.41	0.0	-45/90	-49/194	●	●
POM	WT	PBT	UC	24	1645	7.5	1.41	0.0	-45/90	-49/194	●	●
PP	BL	PP	WT	9	617	4.8	1.0	0.43	5/100	41/212	●	●
PP	WT	PP	WT	9	617	4.8	1.0	0.43	5/100	41/212	●	●
PE	BL	PE	WT	6.5	445	5.0	0.96	-0.13	-70/65	-94/149	●	●
PE	WT	PE	WT	6.5	445	5.0	0.96	-0.13	-70/65	-94/149	●	●

■ BL (Blue), □ UC (Uncolored), □ WT (White)

All measurements and tolerances apply at 21 °C; for temperature deviations please see Prolink manual chapter 4.4 "Temperature influence".

All imperial dimensions (inches) are rounded off.

¹⁾ Flex radii: r1 = side flex, r2 = front flex on roller, r3 = back flex on load bearing roller, r4 = back flex on Hold Down shoe, r5 = back flex on roller

²⁾ Complies with FDA 21 CFR

³⁾ Complies with (EU) 10/2011 and (EC) 1935/2004 regulations regarding the raw materials used and the migration thresholds

⁴⁾ More materials and colors on request



MOVEMENT SYSTEMS

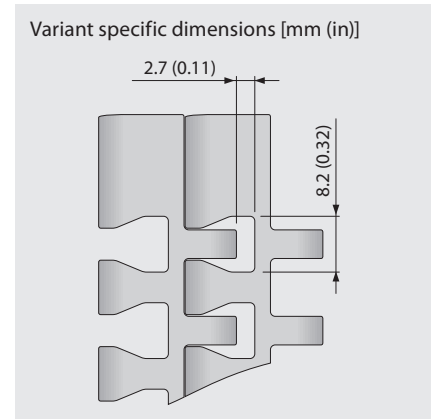
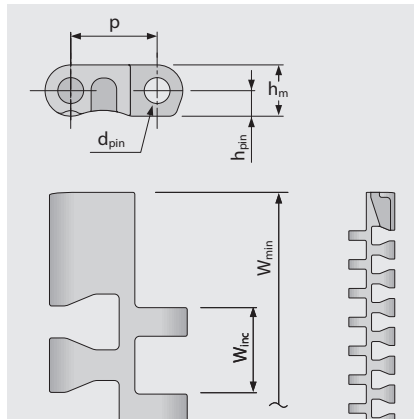
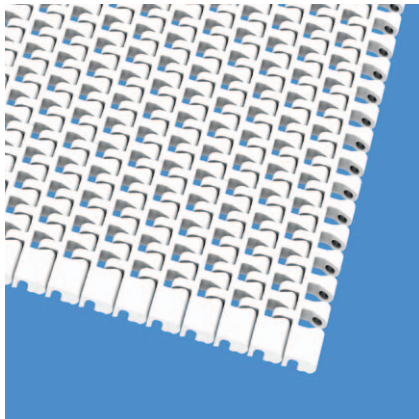
SERIES 14 | BELT TYPES

siegling prolink
modular belts

Straight running belt | Pitch 12.7 mm (0.50 in)

S14-25 FLT | 25 % Opening | Flat top

Open version (25%) for excellent air circulation and drainage | 52% contact area (Largest opening: 8.2 x 2.7 mm/0.32 x 0.11 in) | Smooth surface



Belt dimensions

	p	d _{pin}	h _m	h _{pin}	h _s	W _{min}	W _{inc}	W _{tol}	Minimum flex radii ¹⁾				
	Pitch	Pin Ø	Thickness [mm]	Pin position [mm]	Height [mm]	Width min. [mm]	Width Increment [mm]	Width tolerance [%]	r1	r2	r3	r4	r5
mm	12.7	3.4	7.5	3.8	0.0	76.2	12.7	±0.20	–	9.5	25.4	38.1	12.7
inch	0.5	0.13	0.3	0.15	0.0	3.0	0.5	±0.20	–	0.38	1.0	1.5	0.5

Available standard materials⁴⁾

Belt		Pin		Nominal belt pull, straight		Weight		Width deviation [%]	Temperature		Certificates	
Material	Color	Material	Color	[N/mm]	[lb/ft]	[kg/m ²]	[lb/ft ²]		[°C]	[°F]	FDA ²⁾	EU ³⁾
POM	BL	PBT	UC	24	1645	7.0	1.41	0.0	-45/90	-49/194	●	●
POM	WT	PBT	UC	24	1645	7.0	1.41	0.0	-45/90	-49/194	●	●
PP	BL	PP	WT	9	617	4.5	1.0	0.43	5/100	41/212	●	●
PP	WT	PP	WT	9	617	4.5	1.0	0.43	5/100	41/212	●	●
PE	BL	PE	WT	6.5	445	4.7	0.96	-0.13	-70/65	-94/149	●	●
PE	WT	PE	WT	6.5	445	4.7	0.96	-0.13	-70/65	-94/149	●	●

Mold to order belts

PA*	BL	PBT	UC	22	1507	5.8	1.19	0.92	-40/120	-40/248	●	●
-----	----	-----	----	----	------	-----	------	------	---------	---------	---	---

* Values valid for dry applications (RH < 50%). Belts in PA material will absorb water in wet environments, causing them to expand and reduce the nominal belt pull capacity.

■ BL (Blue), □ UC (Uncolored), □ WT (White)

All measurements and tolerances apply at 21 °C; for temperature deviations please see ProLink manual chapter 4.4 "Temperature influence".

All imperial dimensions (inches) are rounded off.

¹⁾ Flex radii: r1 = side flex, r2 = front flex on roller, r3 = back flex on load bearing roller, r4 = back flex on Hold Down shoe, r5 = back flex on roller

²⁾ Complies with FDA 21 CFR

³⁾ Complies with (EU) 10/2011 and (EC) 1935/2004 regulations regarding the raw materials used and the migration thresholds

⁴⁾ More materials and colors on request



MOVEMENT SYSTEMS

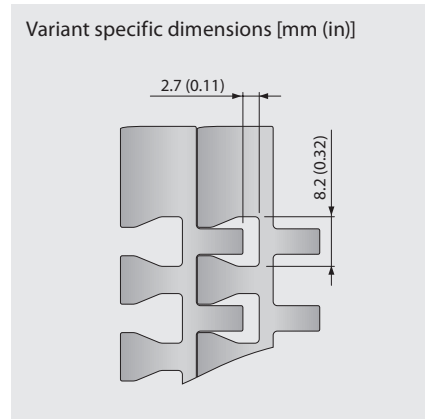
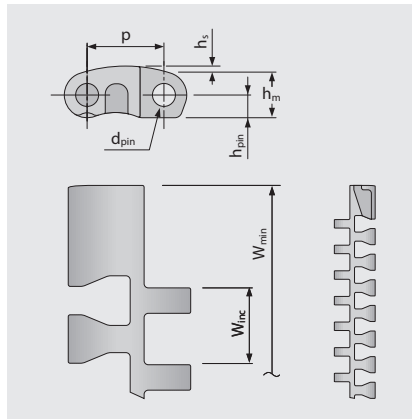
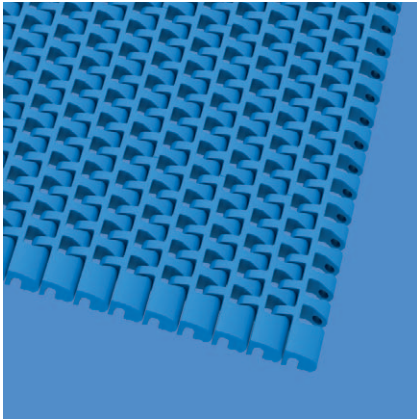
SERIES 14 | BELT TYPES

siegling prolink
modular belts

Straight running belt | Pitch 12.7 mm (0.50 in)

S14-25 CUT | 25 % Opening | Curved top

Open version (25 %) for excellent air circulation and drainage | 26% contact area (Largest opening: 8.2 x 2.7 mm/0.32 x 0.11 in) | Curved surface



Belt dimensions

	p	d _{pin}	h _m	h _{pin}	h _s	W _{min}	W _{inc}	W _{tol}	Minimum flex radii ¹⁾				
	Pitch	Pin Ø	Thickness [mm]	Pin position [mm]	Height [mm]	Width min. [mm]	Width Increment [mm]	Width tolerance [%]	r1	r2	r3	r4	r5
mm	12.7	3.4	7.5	3.8	1.1	76.2	12.7	±0.20	–	9.5	25.4	38.1	12.7
inch	0.5	0.13	0.3	0.15	0.04	3.0	0.5	±0.20	–	0.38	1.0	1.5	0.5

Available standard materials⁴⁾

Belt		Pin		Nominal belt pull, straight		Weight		Width deviation	Temperature		Certificates	
Material	Color	Material	Color	[N/mm]	[lb/ft]	[kg/m ²]	[lb/ft ²]	[%]	[°C]	[°F]	FDA ²⁾	EU ³⁾
POM	BL	PBT	UC	24	1645	6.8	1.39	0.0	-45/90	-49/194	●	●
PP	BL	PP	WT	9	617	4.8	0.98	0.43	5/100	41/212	●	●

■ BL (Blue), □ UC (Uncolored), □ WT (White)

All measurements and tolerances apply at 21 °C; for temperature deviations please see Prolink manual chapter 4.4 "Temperature influence".

All imperial dimensions (inches) are rounded off.

¹⁾ Flex radii: r1 = side flex, r2 = front flex on roller, r3 = back flex on load bearing roller, r4 = back flex on Hold Down shoe, r5 = back flex on roller

²⁾ Complies with FDA 21 CFR

³⁾ Complies with (EU) 10/2011 and (EC) 1935/2004 regulations regarding the raw materials used and the migration thresholds

⁴⁾ More materials and colors on request



MOVEMENT SYSTEMS

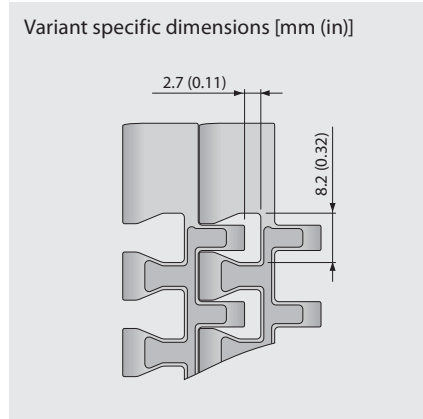
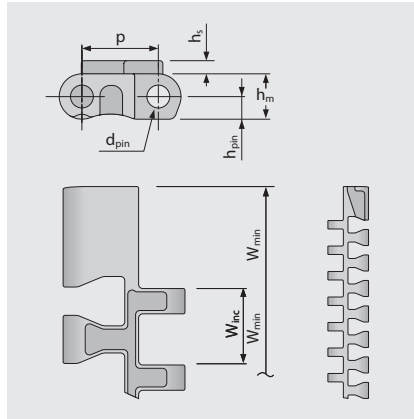
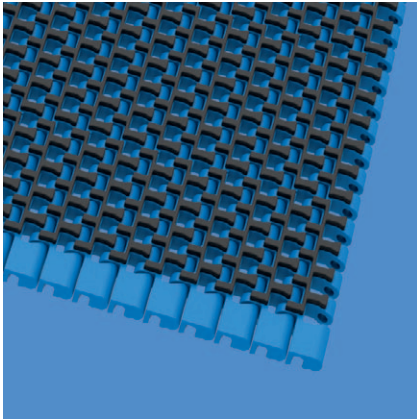
SERIES 14 | BELT TYPES

siegling prolink
modular belts

Straight running belt | Pitch 12.7 mm (0.50 in)

S14-25 FRT1 | 25% Opening | Friction top (Design 1)

Open version (25%) for excellent air circulation and drainage with flat integrated friction pads (FRT1) for high grip | 32% contact area | Version only available without FRT1 structure at the side (17 mm indent)

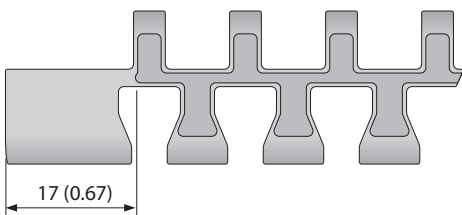


Belt dimensions

	p	d _{pin}	h _m	h _{pin}	h _s	W _{min}	W _{inc}	W _{tol}	Minimum flex radii ¹⁾				
	Pitch	Pin Ø	Thickness [mm]	Pin position [mm]	Height [mm]	Width min. [mm]	Width Increment [mm]	Width tolerance [%]	r1	r2	r3	r4	r5
mm	12.7	3.4	7.5	3.8	2.2	76.2	12.7	±0.20	–	9.5	25.4	38.1	12.7
inch	0.5	0.13	0.3	0.15	0.09	3.0	0.5	±0.20	–	0.38	1.0	1.5	0.5

Available standard materials⁴⁾

Belt		Pin		Rubber		Nominal belt pull, straight		Weight		Width deviation	Temperature		Certificates	
Material	Color	Material	Color	Material	Color	[N/mm]	[lb/ft]	[kg/m ²]	[lb/ft ²]	[%]	[°C]	[°F]	FDA ²⁾	EU ³⁾
PP	BL	PP	WT	R7	BK	9	617	5.1	1.05	0.43	5/100	41/212	●	●
PP	WT	PP	WT	R7	BG	9	617	5.1	1.05	0.43	5/100	41/212	●	●



■ BG (Beige), ■ BK (Black), ■ BL (Blue), □ WT (White)

All measurements and tolerances apply at 21 °C; for temperature deviations please see Prolink manual chapter 4.4 "Temperature influence".

All imperial dimensions (inches) are rounded off.

¹⁾ Flex radii: r1 = side flex, r2 = front flex on roller, r3 = back flex on load bearing roller, r4 = back flex on Hold Down shoe, r5 = back flex on roller

²⁾ Complies with FDA 21 CFR

³⁾ Complies with (EU) 10/2011 and (EC) 1935/2004 regulations regarding the raw materials used and the migration thresholds

⁴⁾ More materials and colors on request



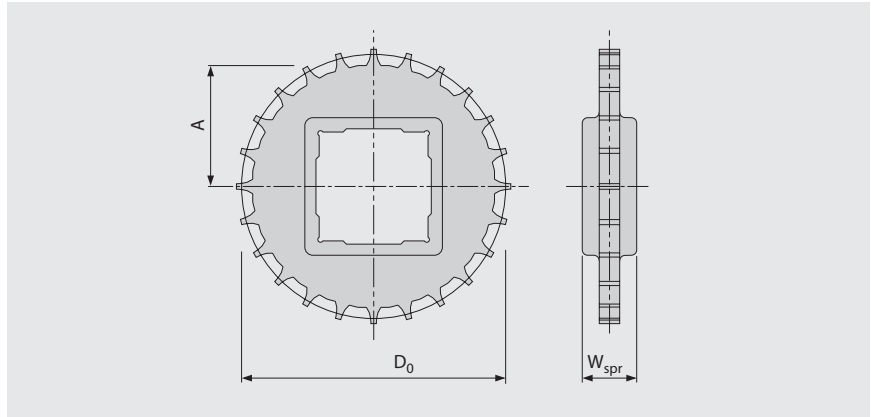
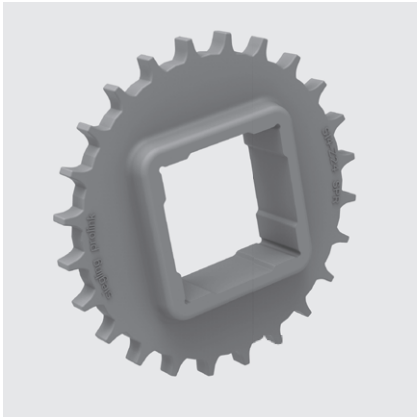
MOVEMENT SYSTEMS

SERIES 14 | SPROCKETS

siegling prolink
modular belts

Straight running belt | Pitch 12.7 mm (0.50 in)

S14 SPR | Sprockets



Main dimensions

Sprocket size (Number of teeth)		Z12	Z15	Z19	Z24	Z28	Z36
W _{spr}	mm	20.0	20.0	20.0	20.0	20.0	20.0
	inch	0.79	0.79	0.79	0.79	0.79	0.79
D ₀	mm	50.0	62.3	78.7	99.2	115.7	148.7
	inch	1.97	2.45	3.10	3.91	4.56	5.85
A _{max}	mm	21.3	27.4	35.6	45.9	54.1	70.6
	inch	0.84	1.08	1.40	1.81	2.13	2.78
A _{min}	mm	20.5	26.8	35.1	45.5	53.7	70.3
	inch	0.81	1.06	1.38	1.79	2.11	2.77

Shaft bores (● = Round, ■ = Square)

20	mm	●					
25	mm		●/■		●	●	
30	mm				●		
40	mm			■	■	■	■
60	mm						■
0.75	inch	●					
1	inch		●/■		●	●	
1.25	inch				●		
1.5	inch			■	■	■	■
2.5	inch						■

Material: PA, Color: LG

■ LG (Light gray)

All measurements and tolerances apply at 21 °C; for temperature deviations please see Prolink manual chapter 4.4 "Temperature influence".

All imperial dimensions (inches) are rounded off.

For detailed sprocket and shaft dimensions see appendix 6.3.



MOVEMENT SYSTEMS

LEGEND

① Series

S1 ... S15

② Open area/Sprocket size

Percentage open area

Format: xx

E.g. 20 = 20%

For sprockets: number of teeth

Format: "Z"xx

E.g. Z12 = 12 teeth

③ Surface pattern

BSL Base module for slider

CTP Cone top

CUT Curved top

FLT Flat top (smooth)

FRT-OG Friction top without High Grip insert

FRT(X) Friction top (Design X)

GRT Grid top

LRB Lateral rib

MOD Modified module shape

NCL No cling

NPY Negative pyramid

NSK Non skid

NTP Nub top (round studs)

RAT Radius top

RRB Raised rib

RSA Reduced surface area

RTP Roller top

SRS Slip-resistant surface

④ Type

A90 Angle 90° to conveying direction

BPU Bucket profile

CCW Counter clockwise

CLP Clip

CM Center module

CW Clockwise

FPL Finger plate

IDL Idler

PIN Coupling rod

PMC Profile module center

PMU Profile module universal

PMU lxx Profile module universal with indent xx = indent in mm

RI High Grip insert

RTR Retaining ring

SG Module with sideguard

SLI Slider

SML Side module, left

SMR Side module, right

SMU Side module, universal/both sides

SPR Sprocket

TPL Turning panel, left

TPR Turning panel, right

UM Universal module

⑤ Style

BT Bearing tab

DR Double row sprocket

F1, F2, F3 ... Collapse factor modules

G Guided

GT Guiding tabs

HD Hold Down

RG Reversed guided

SG Side guard

SP Split sprocket

ST Strong

⑥ Material

PA Polyamide

PA-HT Polyamide high temperature

PBT Polybutylentere-phthalate

PE Polyethylene

PE-MD PE metal detectable

POM Polyoxymethylene (Polyacetal)

POM-CR POM cut resistant

POM-HC POM highly conductive

POM-MD POM metal detectable

POM-PE POM side modules + PE center modules

POM-PP POM side modules + PP center modules

PP Polypropylene

PXX-HC Self-extinguishing highly conductive material

R1 TPE 80 Shore A, PP

R2 EPDM 80 Shore A, vulcanized

R3 TPE 70 Shore A, POM

R4 TPE 86 Shore A, PP

R5 TPE 52 Shore A, PP

R6 TPE 63 Shore A, POM

R7 TPE 50 Shore A, PP

R8 TPE 55 Shore A, PE

SER Self-extinguishing TPE

SS Stainless steel

TPC1 Thermoplastic Copolyester

-HA Supports the HACCP concept

-HW High Wear resistant material

⑦ Color*

AT Anthracite

BG Beige

BK Black

BL Blue

DB Dark blue

GN Green

LB Light blue

LG Light gray

OR Orange

RE Red

TQ Turquoise

TR Transparent

UC Uncolored

WT White

YL Yellow

⑧ Height/Diameter/ Bore size and style

Height in mm (in)

Format: Hxxx

Pin diameter in mm (in)

Format: Dxxx

Bore size: SQ (= square)

or RD (= round)

either in mm or inches

Format: SQxxMM or RDxxIN

⑨ Length/Width

Pins Length in mm (in)

Format: Lxxx

Module width in mm (in)

Format: Wxxx

* For each series' standard colors please refer to the table of materials for each belt (chapter 1.2). A number of other colors are available on request. Colors can vary from the original due to the print, production processes or material used.