

**siegling blizzard™**  
splicing equipment

# THE NEW BENCHMARK IN EFFICIENT HEATING OF SPLICES **SIEGLING BLIZZARD HC 120/40**



GLOBAL  
INNOVATION  
**AIR-  
COOLED**

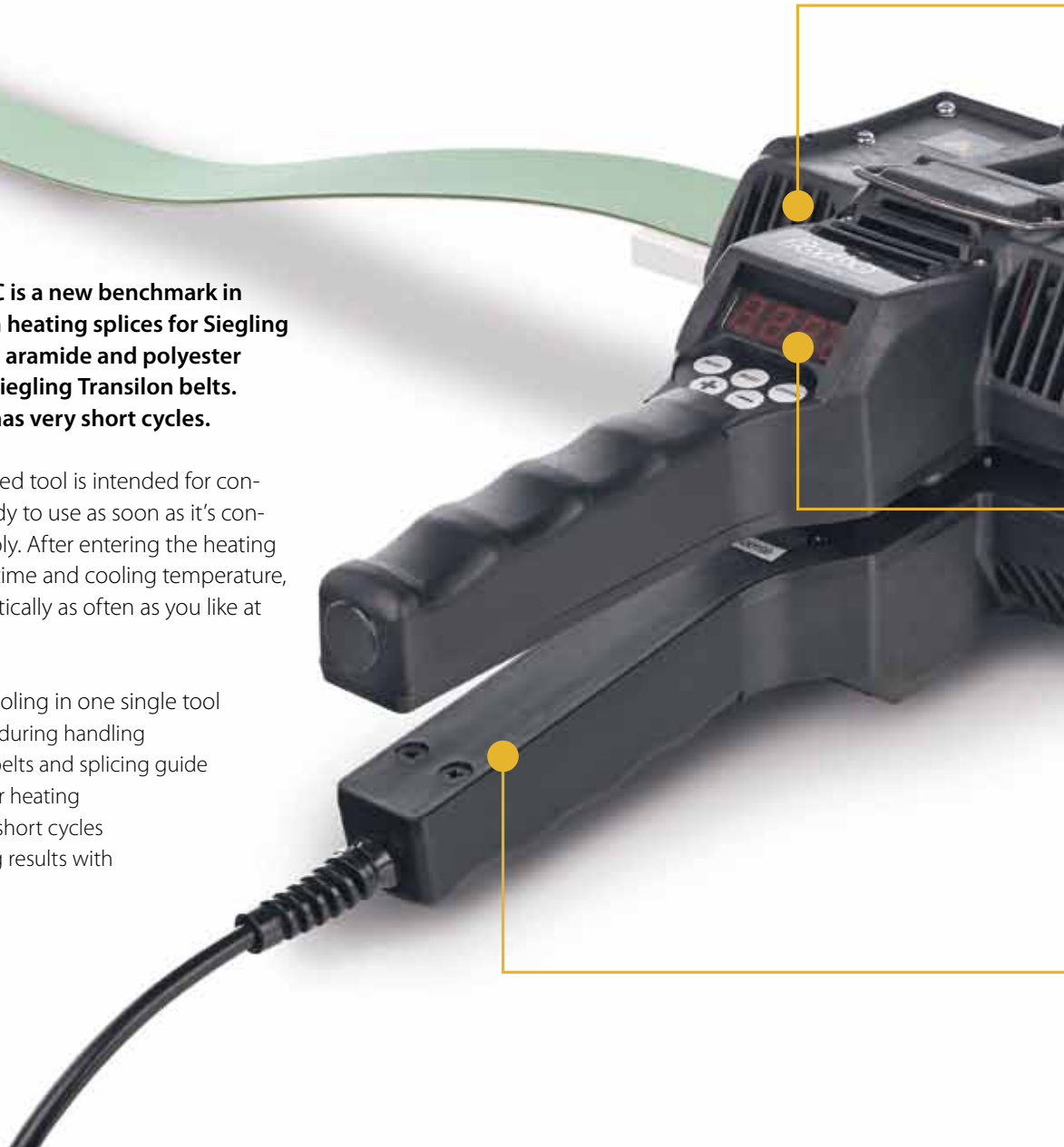
# THE NEW BENCHMARK IN EFFICIENT HEATING OF SPLICES **SIEGLING BLIZZARD HC 120/40**

The Siegling Blizzard HC is a new benchmark in quality and speed when heating splices for Siegling Extremultus belts in the aramide and polyester lines as well as narrow Siegling Transilon belts. It's easy to handle and has very short cycles.

The ergonomically designed tool is intended for constant operation and is ready to use as soon as it's connected to the power supply. After entering the heating temperature, hold-down time and cooling temperature, the process starts automatically as often as you like at the touch of a button.

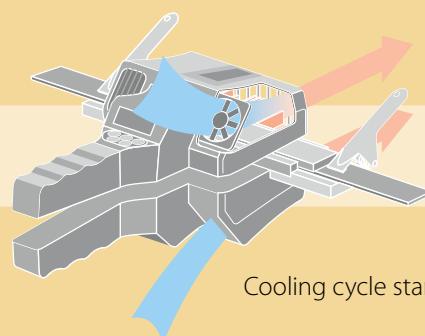
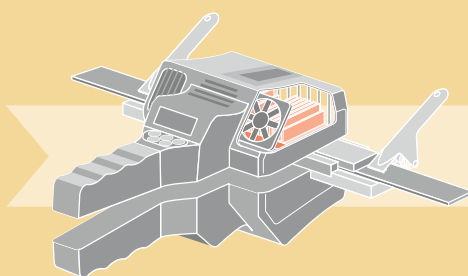
Automatic heating and cooling in one single tool

- prevents mistakes made during handling
- saves having to put the belts and splicing guide into a cooling clamp after heating
- is highly efficient due to short cycles
- delivers excellent splicing results with superior repeat accuracy



## Insert splicing guide with belt, start process

Automatic heating and adherence to the heating period



Cooling cycle starts automatically

## Special features



### Integrated air-cooling

(no cooling clamp required)



### Integrated control

intuitive to operate



**Self-locking splicing guides** for easy insertion  
(existing splicing guides can still be used)



**A robust tool** with an ergonomic design, ideal for constant operation

## Technical information

Type designation		Blizzard HC 120/40
Belt width max.	[mm]	40
Belt thickness	[mm]	1.3–3.2
Z-splices	[mm]	35:5.75
		35:11.5
		70:11.5
		110:11.5
Heating temperature max.	[°C]	210
Total weight	[kg]	2.0
Dimensions (W x L x H)	[mm]	145 x 310 x 130

### Power supply (alternative)

1 Phase (art.-no. 870187)	[V/Hz]	230/50
1 Phase (art.-no. 870188)	[V/Hz]	115/60

### Splicing guides for Blizzard HC 120/40

Belt width [mm]	Art. no.
15	870170
20	870108
22	870176
24	870112
25	870113
28	870179
30	870167
35	870180
38	870181
40	870168
Plastic clamp	870951

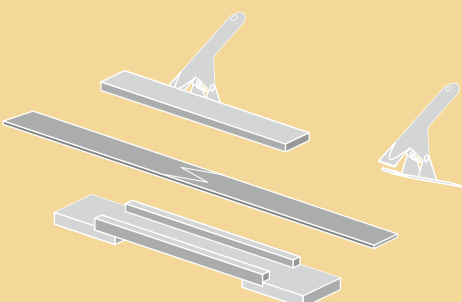
## Included with product

### Supplied in a padded case

- Self-locking splice guides can be ordered in any width of approx. 10 to 40 mm (can use any available Forbo Siegling standard splice guide)
- Can be supplied as a set with a compact punch



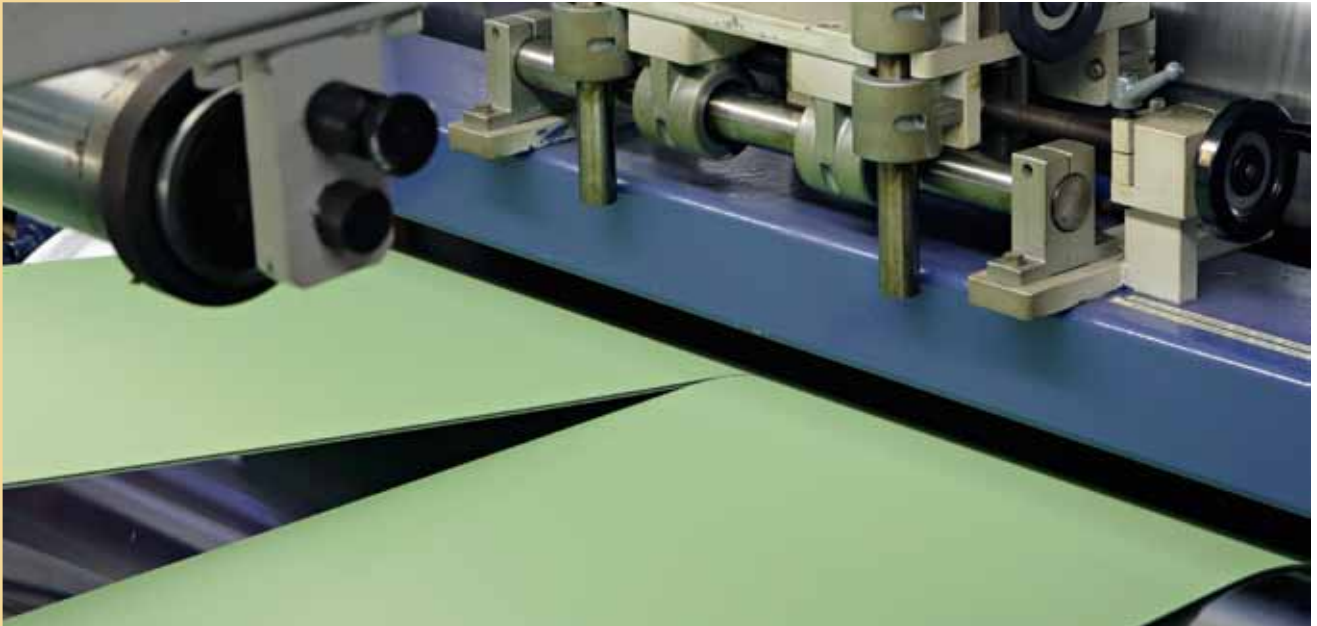
## Remove splicing guide and spliced belt



## Siegling – total belting solutions

Committed staff, quality-orientated organisation and production processes ensure the constantly high standards of our products and services. The Forbo Siegling Quality Management System is certified in accordance with ISO 9001.

In addition to product quality, environmental protection is an important corporate goal. Early on we also introduced an environmental management system, certified in accordance with ISO 14001.



Ref. no. 330-2  
09/17-UD - Reproduction of text or parts thereof only with our approval. Subject to change.



### Forbo Siegling service – anytime, anywhere

The Forbo Siegling Group employs more than 2,300 people. Our products are manufactured in nine production facilities across the world. You can find companies and agencies with warehouses and workshops in over 80 countries. Forbo Siegling service points are located in more than 300 places worldwide.

#### Forbo Siegling GmbH

Lilienthalstrasse 6/8, D-30179 Hannover  
Phone +49 511 6704 0, Fax +49 511 6704 305  
[www.forbo-siegling.com](http://www.forbo-siegling.com), [siegling@forbo.com](mailto:siegling@forbo.com)



MOVEMENT SYSTEMS