

# Installation Guide: Hygienic cladding panels – capping strip

## Product detailing

The hygienic cladding panels should be adhered to a smooth solid substrate, which is free from dust and particles and conforms to an agreed surface regularity, a two-part polyurethane adhesive should be spread with a 5 mm square notched trowel to the substrate wall, upon application immediately apply sheet to the wall, attention should be given to making sure the panel is plumb and straight following any datum line set in place, the panel should sit into the upper edge of capping strip, the flooring material fitting to the bottom section the panel will require supporting with double sided tape while the adhesives cures.

### Quantum Flooring accessories

QCF35 35 mm flexible PVC cove former

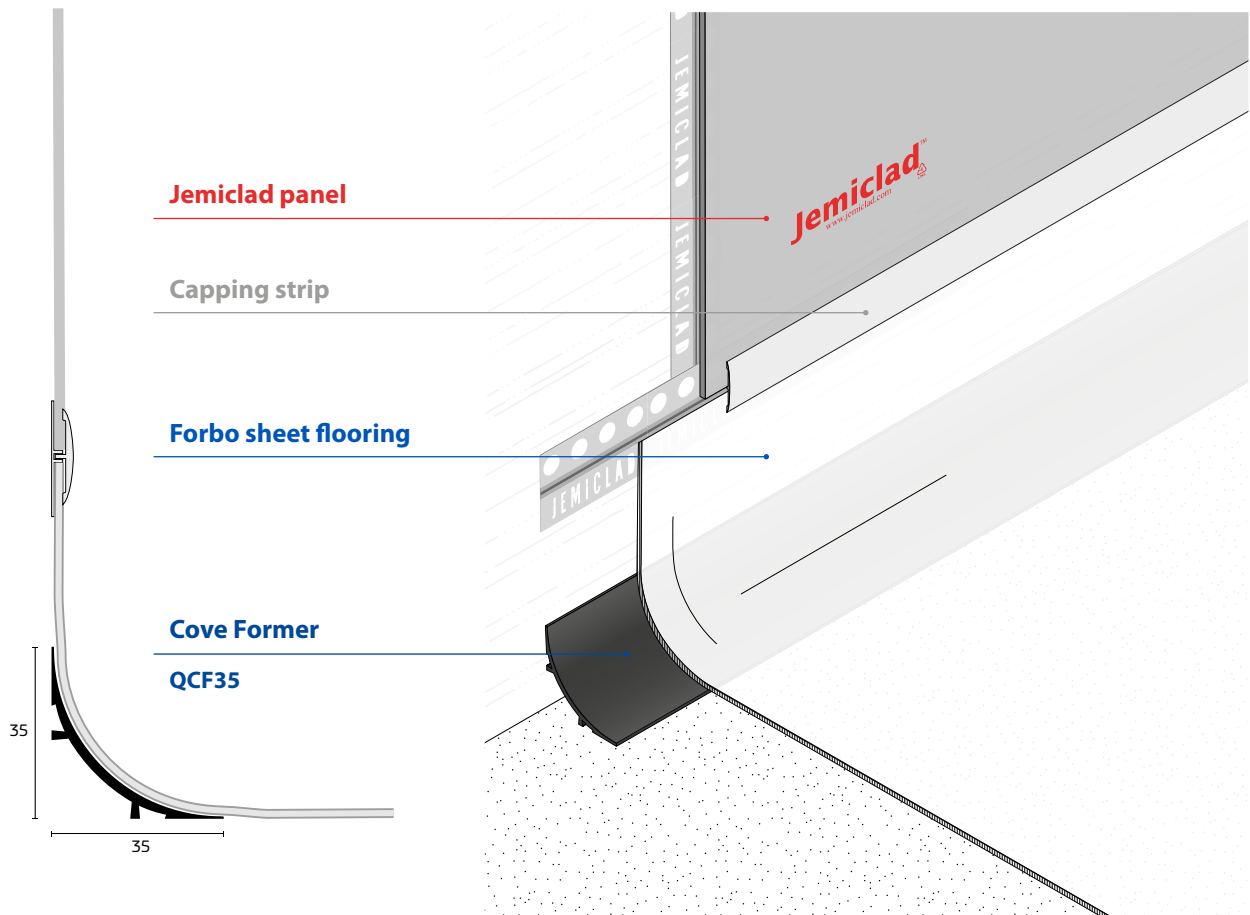
*Alternatively, cove former ECF2 (20mm radius) can be used for vinyl sheet only*

### Jemiclad cladding

Jemiclad Pro 2.5mm  
Jemiclad Ablaze 2.5mm  
Jemiclad Sure 2.0mm

### Forbo sheet flooring

Sphera 2mm  
Eternal 2mm  
Surestep/Safestep 2mm  
Modul'up 2mm and 3.45mm  
Sarlon 2.6mm and 3.4mm  
Marmoleum 2mm, 2.5mm and 3.2mm



# Jemiclad

Leaders in Interior Finishes

Web: [www.jemiclad.co.uk](http://www.jemiclad.co.uk)

Tel: +44 1903 722522

e-mail: [technical@jemiclad.co.uk](mailto:technical@jemiclad.co.uk)



FLOORING SYSTEMS

## Specification statement

80A COVE FORMER:

Manufacturer:

Quantum Flooring Solutions,  
a trading name of Quantum Profile Systems Ltd.

Web: [www.quantumprofilesystems.com](http://www.quantumprofilesystems.com)

Tel: +44 (0)161 627 4222

Product reference:

Cove Former for Resilient Floor covering.

Type:

Cove former: QCF35 - 35 x 35 mm, PVC.

For use with sheet flooring. See 'Options' below and insert colour.

Product Code	Colour Options	Length
QCF35	Black ●	2m