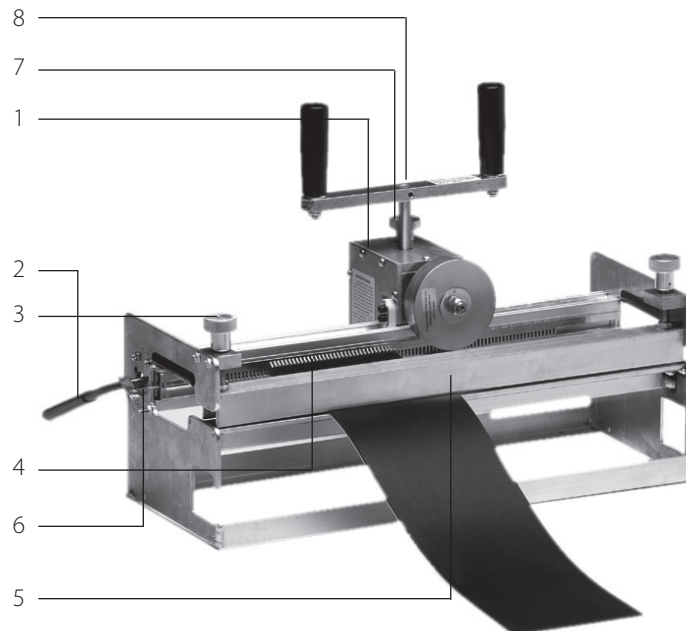


Fitting tool for mechanical fasteners **SC-RL-0/XXX** Tool sheet

Fitting tool for embedding mechanical fasteners into the ends of the splice of open conveyor belts.



Overview of components for fitting tool SC-RL-0/...

| Number | Component |
|--------|--------------------|
| 1 | Fastening head |
| 2 | Clamping lever |
| 3 | Clamping screw |
| 4 | Comb rail |
| 5 | Conveyor belt vice |
| 6 | Connection rod |
| 7 | Positioning screw |
| 8 | Crank |

Technical data for fitting tool SC-RL-0/...

| Dimension | SC-RL-0/350 | SC-RL-0/600 | SC-RL-0/1200 |
|--------------------|--------------------|--------------------|---------------------|
| Length [mm] | 430 | 430 | 430 |
| Width [mm] | 570 | 830 | 1470 |
| Height [mm] | 380 | 380 | 380 |
| Weight (net) [kg] | 11.2 | 14.7 | 22.3 |
| Working width [mm] | 350 | 600 | 1200 |

Order info for SC-RL-0/... and material numbers

| Material number for type: | SC-RL-0/350 | SC-RL-0/600 | SC-RL-0/1200 |
|----------------------------------|--------------------|--------------------|---------------------|
| Fitting tool | 873037 | 873038 | 873039 |

Order info for accessories and material numbers SC-RL-0/...

| Material number for type: | SC-RL-0/350 | SC-RL-0/600 | SC-RL-0/1200 |
|--|--------------------|--------------------|---------------------|
| Comb SC-FS-XXX-1 for mechanical fasteners HS 00, 02, 03, 13-16 | 873040 | 873044 | 873048 |
| Comb SC-FS-XXX-2 for mechanical fasteners HS 01 + 12 | 873041 | 873045 | 873049 |
| Comb SC-FS-XXX-3 for mechanical fasteners HS 05, 06 + 11 | 873042 | 873046 | 873050 |
| Comb SC-FS-XXX-4 for mechanical fasteners HS 09 | 873043 | 873047 | 873051 |
| Mechanical fasteners HS 01 | 880468 | 880468 | 880468 |
| Mechanical fasteners HS 05 | 881501 | 881501 | 881501 |
| Mechanical fasteners HS 06 | 881502 | 881502 | 881502 |
| Mechanical fasteners HS 09 | 881503 | 881503 | 881503 |
| Mechanical fasteners HS 11 | 881504 | 881504 | 881504 |
| Mechanical fasteners HS 12 | 880450 | 880450 | 880450 |
| Mechanical fasteners HS 14 | 881506 | 881506 | 881506 |
| Mechanical fasteners HS 15 | 881507 | 881507 | 881507 |
| Mechanical fasteners HS 16 | 881508 | 881508 | 881508 |
| Mechanical fasteners HS 17 | 881861 | 881861 | 881861 |
| Mechanical fasteners HS 18 | 881862 | 881862 | 881862 |
| Mechanical fasteners HS 19 | 881863 | 881863 | 881863 |



MOVEMENT SYSTEMS

Tool sheet no. T-055
Issued 12/08
Subject to change

Forbo Siegling GmbH
P.O. Box 53 46
D-30053 Hannover
Tel. +49-(0)511 6704-0 Fax:-305