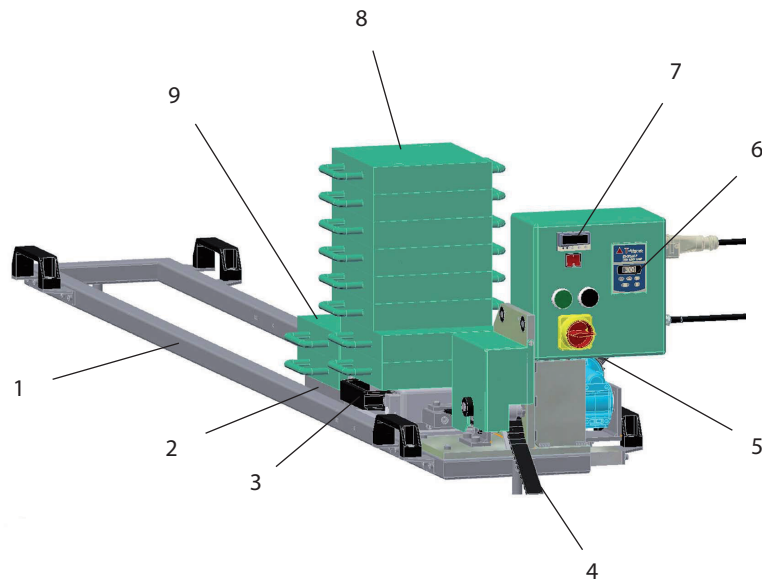


Special heating tool for melt splices **SM-HD-110/4000** Tool sheet

Special heating tools of the SM-HP-110/4000 type are electrical heating devices used for finishing (splicing) Forbo Siegling belting material that can withstand maximum temperatures of 220°C.

The tool's frame can be taken apart and adjusted to large belt widths of up to 4,000 mm by using connecting pieces. Extensions, 1000, 1220 and 1500 mm in size (two pieces in each size) are included with the product.

The frame has a controlled drive unit that pulls the heating platen and the attached cooling platen with a timing belt slowly and evenly over the splice. The heating and cooling platen are weighed down with weights to create the required contact pressure in the splice. Speed and temperature are continuously adjustable.

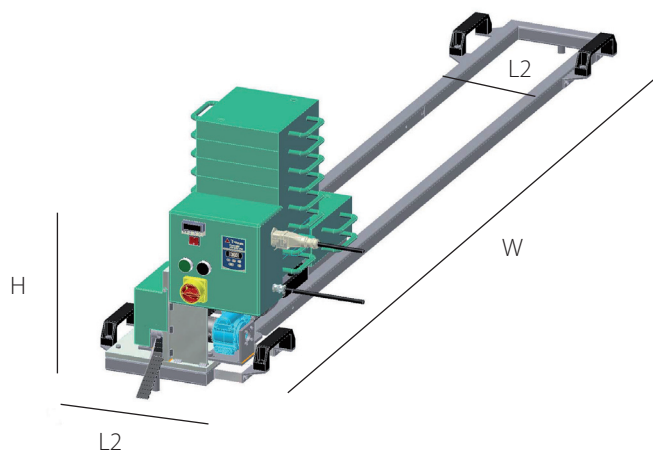


Overview of parts on the special heating tool SM-HD-110/4000

Number	Component
1	Frame
2	Cooling platen
3	Heating platen
4	Timing belt
5	Drive motor
6	Frequency converter
7	Temperature control switch
8	Weights for heating platen
9	Weights for cooling platen

Technical data special heating tool SM-HD-110/4000

Dimensions		SM-HD-110/4000
Length L1 (frame)	[mm]	222
Length L2 (total)	[mm]	380
Width W	[mm]	4760
Height H	[mm]	370
Maximum material width	[mm]	4000
Net weight	[kg]	160,0
Weights, 12	[kg]	11.5
Supply voltage	[V]	110/230
Drive voltage		230/400
Frequency	[Hz]	50
Speed	[mm/s] [mm/min]	0.3 - 1.0 18 - 60
Power consumption	[W]	500
Heating capacity	[W]	450
Heating temperature range	[°C]	160 - 220
Splice length	[mm]	35 or 70



Order info for special heating tool SM-HD-110/4000 and material numbers

Material number for type:	SM-HD-110/4000
Special heating tool SM-HD-110/4000, 110V, incl. 2 extensions in 1000, 1220 and 1500 mm, 12 weights and various auxiliary materials	872918
Special heating tool SM-HD-110/4000, 230V, including 2 extensions in 1000, 1220 und 1500 mm each, 12 weights and various auxiliary materials	872819

The tool is also available in other sizes on request.

Accessories and relevant material numbers for SM-HD-110/4000

Article description	SM-HD-110/4000
Si fabric no. 1	871168
Teflon fabric	871169
Soft pad	871206