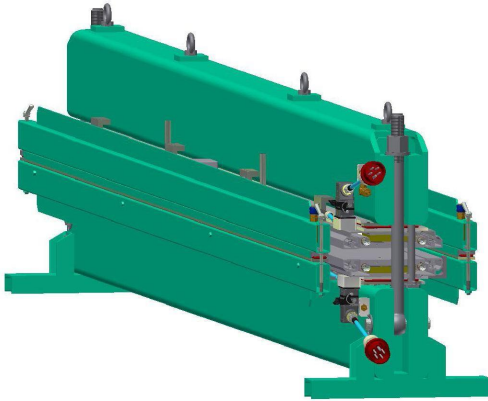


Data Sheet

Heating Press for Melt Splices SM-HP-180/4000-P



Electrical heating devices for fabricating melt splices using Forbo Siegling belt material.

The presses are entirely dismantlable; therefore larger devices are also easily transportable.

The standard equipment of the heating presses of this type includes: Hold-down bar, pressure equalizing metal sheets, shim bar set, textured fabric standard, separating paper, soft pad 1 mm, silicone fabric no. 1 and thermometer.

The application can be enhanced by using the following components: A portable cooling device, a control unit and a handy compressor.

The connection cables of these heating presses are delivered in plug-in form.

Heating press for melt splices
SM-HP-180/4000-P

Should you need any further information, please contact directly the manufacturer:

Müssel Maschinenbau GmbH
Reichelsweiherstrasse 8,
D-95615 Marktredwitz
www.muessel.com



Technical Data	SM-HP-180/4000-P	
Belt width max.	[mm]	4000
Belt length min.	[mm]	1500
Splice max.	[mm]	Z-110 and Z-Stepped
Heating plates length	[mm]	180
Length	[mm]	460
Width	[mm]	4400
Height	[mm]	850
Weight (net)	[kg]	1180,0
Voltage	[V]	3x 400 / 3x 220
Capacity	[W]	2x 7800
Heating up time	[min]	approx. 30
Cooling down time	[min]	approx. 6
Coolant		water
Air pressure max.	[bar]	7
Heating temperature max.	[°C]	200

Accessories

Material number	Designation
870356	WCD-55 Cooling device
872863	ECU-AV-3 Control unit
871524	ACU-8/200 Compressor
872724	Adjustable hold-down bar (1 pc.)
875049	Pressure equalizing me. sh. spezial

Silicone embossing mats on request!

Material number	Designation
871284	SM-HP-180/4000-P (2x 400V)
871673	SM-HP-180/4000-P (2x 220V)