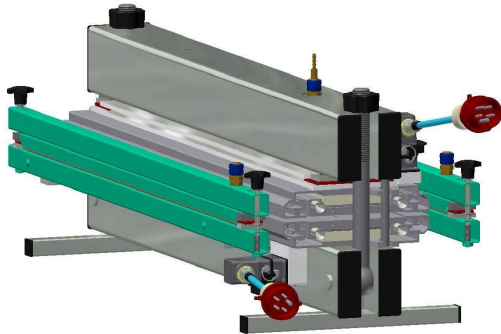


## Data Sheet

### Heating press for melt splices SM-HP-180/1000-P



Electrical heating devices for fabricating melt splices using Forbo Siegling belt material.

The presses are entirely dismountable; therefore larger devices are also easily transportable.

The standard equipment of the heating presses of this type includes: Hold-down bar, pressure equalizing metal sheets, shim bar set, textured fabric standard, separating paper, soft pad 1 mm, silicone fabric no. 1 and thermometer.

The application can be enhanced by using the following components: A portable cooling device, a control unit and a handy compressor.

The connection cables of these heating presses are delivered in plug-in form.

Heating press for melt splices  
SM-HP-180/1000-P

**Should you need any further information, please contact directly the manufacturer:**

**Müssel Maschinenbau GmbH**  
Reichelsweiherstrasse 8,  
D-95615 Marktredwitz  
[www.muessel.com](http://www.muessel.com)

**MÜSSEL**  
Maschinenbau GmbH



Technical Data	SM-HP-180/1000-P	
Belt width max.	[mm]	1000
Belt length min.	[mm]	1000
Splice max.	[mm]	Z-110 and Z-Stepped
Heating plates length	[mm]	180
Length	[mm]	440
Width	[mm]	1260
Height	[mm]	440
Weight (net)	[kg]	130,0
Voltage	[V]	3x 400 / 3x 220
Capacity	[W]	2x 2250
Heating up time	[min]	approx. 20
Cooling down time	[min]	approx. 3
Coolant		water
Air pressure max.	[bar]	7
Heating temperature max.	[°C]	200

#### Accessories

Material number	Designation
870356	WCD-55 cooling device
872863	ECU-AV-3 control unit
871524	ACU-8/200 compressor
872620	Sil. embossing mat LN
872624	Sil. embossing mat NP
872628	Sil. embossing mat RF
872632	Sil. embossing mat SG
872636	Sil. embossing mat FG
872640	Sil. embossing mat GSTR
872644	Sil. embossing mat VN
872648	Sil. embossing mat LG
872769	Textured fabric AR

Further Sil. embossing mat types on request!

Material number	Designation
872531	SM-HP-180/1000-P (2x 400V)
872532	SM-HP-180/1000-P (2x 220V)