

Installation Guide: How to finish sheet flooring covered with Cove Former and Capping Strip at door frames

Product Detailing

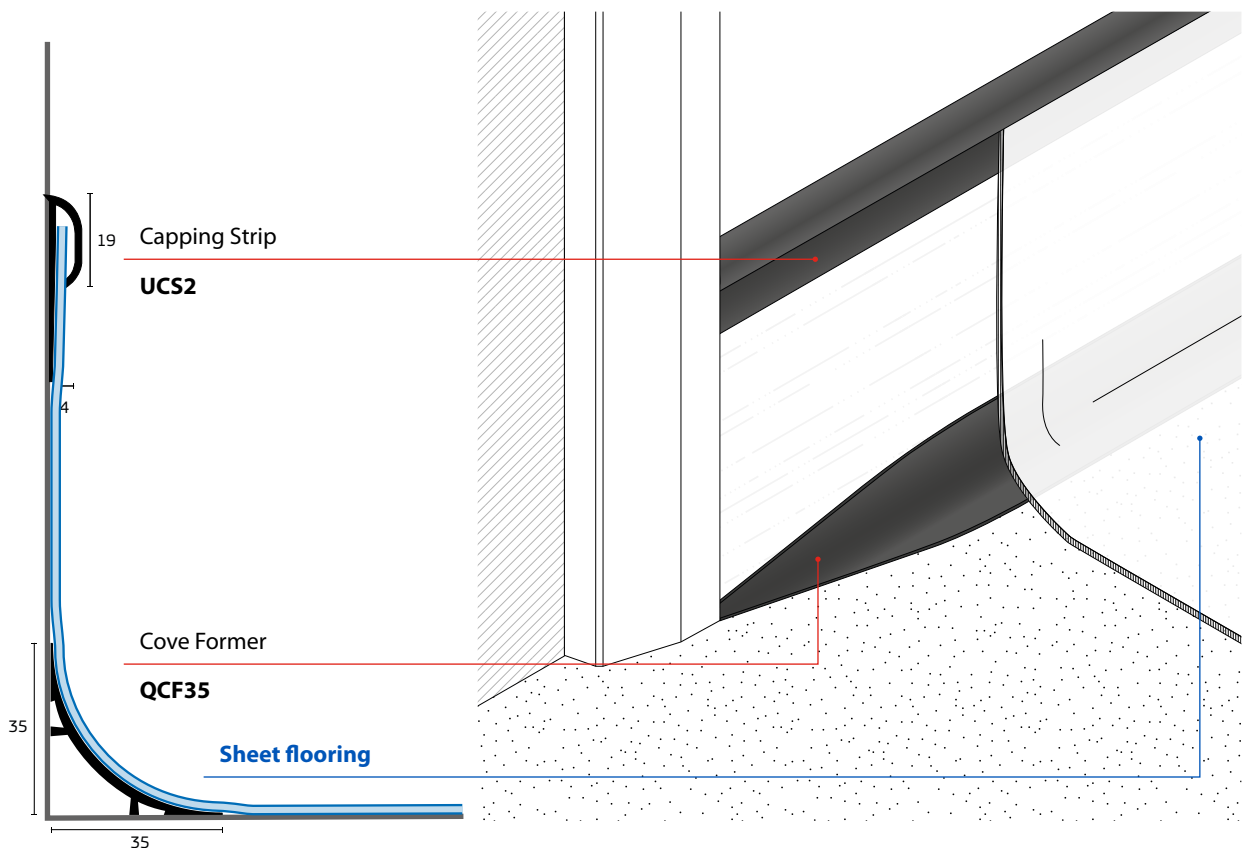
- i) Capping Strip: Scribe a line on the wall where the floor covering is to finish. Apply contact adhesive to the back of the Capping Strip and the wall where it is to be fitted, all in accordance with the recommendations of the adhesive manufacturer. Fit the Capping Strip (lip down as shown below) in place.
- ii) Cove Former: Apply contact adhesive to the back of the cove former and the wall/floor junction, all in accordance with the recommendations of the adhesive manufacturer. Fit the Cove Former in place. Note: Where the wall to floor junction meets (say) a door frame the Cove Former should be trimmed with a taper to the point where it meets the frame – as shown below. Allow a minimum taper length of 150mm.
- iii) Feed the floor covering over the radiused Cove Former and trim the edge to fit under the lip of the Capping Strip (as shown).

Quantum Flooring Accessories

Capping Strip UCS2
Cove Former QCF35

Forbo Sheet

Sphera 2mm
Eternal 2mm
Surestep/Safestep 2mm
Modul'up 2mm and 3.45mm
Sarlon 2.6mm and 3.4mm
Marmoleum 2mm, 2.5mm and 3.2mm



Specification statement

80A COVE FORMER/ CAPPING STRIP:

Manufacturer:

Quantum Flooring Solutions,
a trading name of Quantum Profile Systems Ltd.

Web: www.quantumprofilesystems.com

Tel: +44 (0)161 627 4222

Product reference:

Cove Former and Capping Strip for Resilient Floor covering.

Type:

Cove former: QCF35 - 35 x 35 mm, PVC.

Capping strip: UCS2 - 4 x 38 mm, PVC.

For use with vinyl flooring. See 'Options' below and insert colour.

Capping strip: Light reflectance value (LRV)/ Colour:

6 Black, 7 Dark Brown, 15 Charcoal, 29 Cloud Grey, 31 Caramel,
81 White.

Product Code	Colour Options	Length
QCF35	Black ●	2 m
UCS2	Black ● Dark Brown ● Regency ●	2 m
	Graphite ● Charcoal ● Boulder ●	
	Cloud Grey ● Caramel ● Platinum Grey ●	
	Ivory ● White ○	