

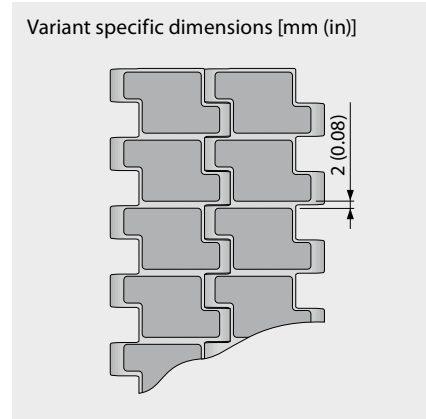
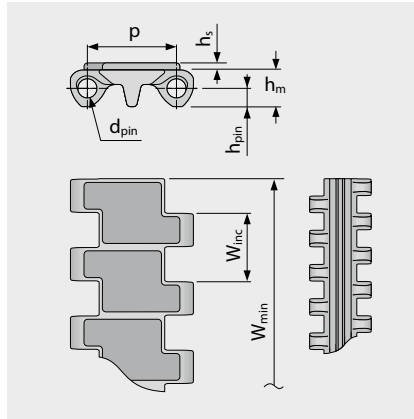
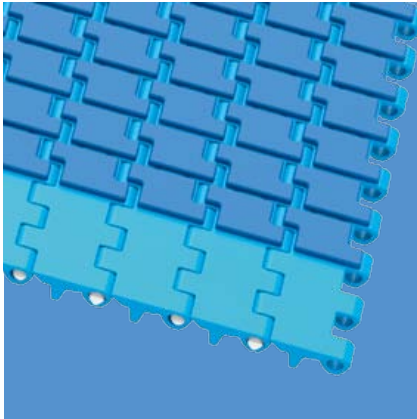
SERIES 10 | BELT TYPES

siegling prolink
modular belts

Straight running belt | Pitch 25.4 mm (1 in)

S10-0 FRT1 | 0% Opening | Friction top (Design 1)

Closed surface with flat integrated friction pads (FRT1) for high grip | 67% contact area | Version available without FRT1 structure at the side (38 mm indent)



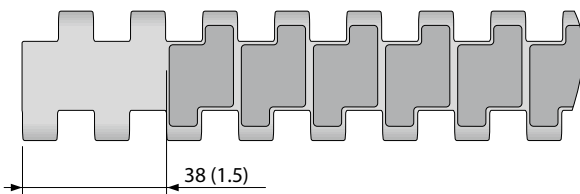
Belt dimensions

	p	d _{pin}	h _m	h _{pin}	h _s	W _{min}	W _{inc}	W _{tol}	Minimum flex radii ¹⁾				
	Pitch	Pin Ø	Thickness [mm]	Pin position [mm]	Height [mm]	Width min. [mm]	Width Increment [mm]	Width tolerance [%]	r1	r2	r3	r4	r5
mm	25.4	5.0	10.2	5.1	2.0	38.1	19.1	±0.2	–	25.4	50.8	76.2	25.4
inch	1.0	0.2	0.4	0.2	0.08	1.5	0.75	±0.2	–	1.0	2.0	3.0	1.0

Available standard materials⁴⁾

Belt		Pin		Rubber		Nominal belt pull, straight		Weight		Width deviation	Temperature		Certificates	
Material	Color	Material	Color	Material	Color	[N/mm]	[lb/ft]	[kg/m ²]	[lb/ft ²]	[%]	[°C]	[°F]	FDA ²⁾	EU ³⁾
PP	WT	PP	WT	R7	BG	8	548	6.3	1.29	0.26	5/100	41/212	●	●
PP	LB	PP	WT	R7	BK	8	548	6.3	1.29	0.26	5/100	41/212	●	●
PP	LB	PP	WT	R7	BL	8	548	6.3	1.29	0.26	5/100	41/212	●	●

Mold to width available in: 229 mm (9.0 in)



Also available with molded indent 38 mm (1.5 in)

■ BG (Beige), ■ BL (Blue), ■ BK (Black), ■ LB (Light blue), □ WT (White)

All measurements and tolerances apply at 21 °C; for temperature deviations please see Prolink manual chapter 4.4 "Temperature influence".

All imperial dimensions (inches) are rounded off.

¹⁾ Flex radii: r1 = side flex, r2 = front flex on roller, r3 = back flex on load bearing roller, r4 = back flex on Hold Down shoe, r5 = back flex on roller

²⁾ Complies with FDA 21 CFR

³⁾ Complies with (EU) 10/2011 and (EC) 1935/2004 regulations regarding the raw materials used and the migration thresholds

⁴⁾ More materials and colors on request



MOVEMENT SYSTEMS