

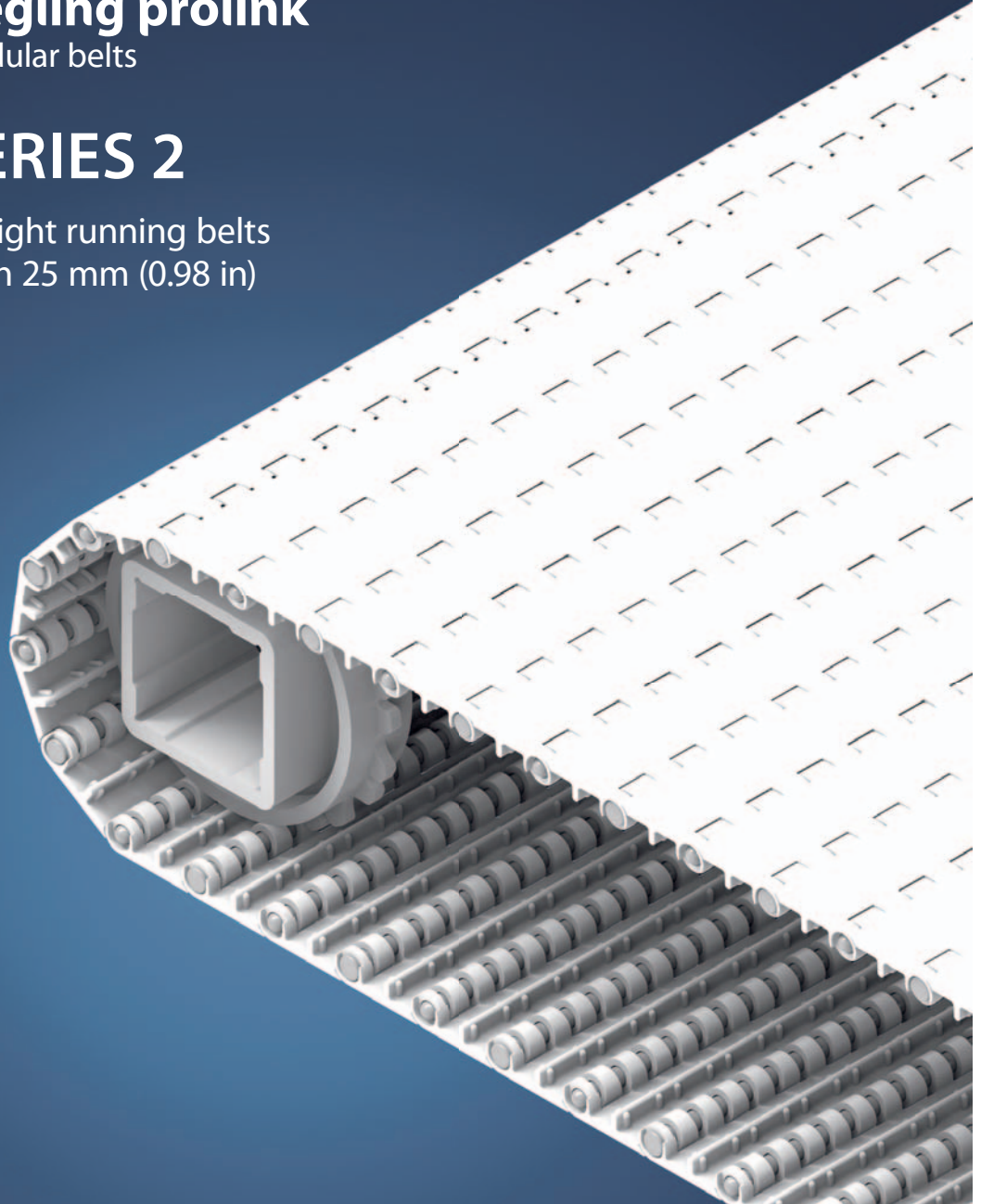
EXCERPT FROM PROLINK ENGINEERING MANUAL

02/22 (Ref-No. 888)

siegling prolink
modular belts

SERIES 2

Straight running belts
Pitch 25 mm (0.98 in)



Forbo Siegling GmbH
Lilienthalstraße 6/8, D-30179 Hannover
Phone +49 511 6704 0
www.forbo-siegling.com, siegling@forbo.com

Ref. no. 888-2_1.2_S2

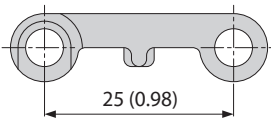
SERIES 2 | OVERVIEW

siegling prolink
modular belts

Straight running belts | Pitch 25 mm (0.98 in)

Belts for light-duty food and container handling applications

Side view scale 1:1



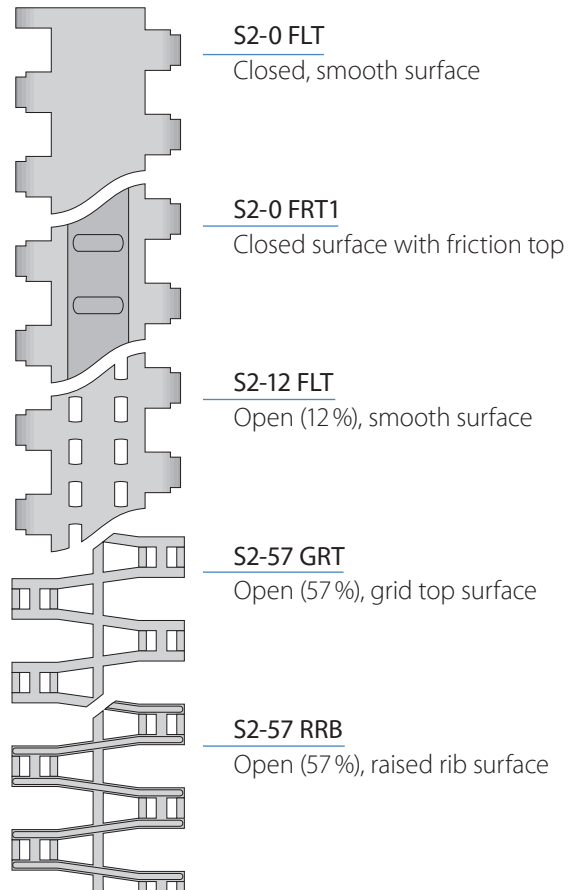
Design characteristics

- Hinges that open wide provides an easy-to-clean belt design
- Low belt weight reduces energy consumption
- Open edge design on flat top versions for unhindered drainage and closed edge design on grid top and raised rib versions

Basic data

Pitch	25 mm (0.98)
Belt width min.	50 mm (1.97 in) 100 mm (3.9 in) for belts with FRT-pattern
Width increments	16.66 mm (0.7 in)
Hinge pins	5 mm (0.2 in) Made of plastic (PBT, PP, PE)

Available surface pattern and opening area



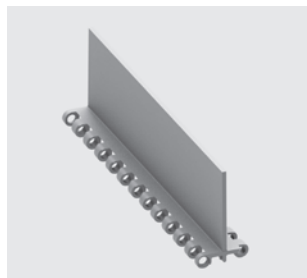
Sprockets

in different sizes with round or square sprocket bore



Profiles

in different heights and designs for inclines



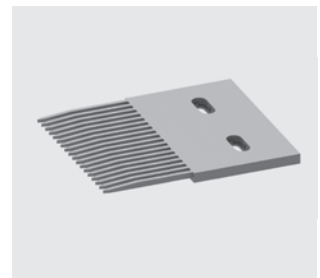
Side guards

in different heights for retention of bulk products



Finger plates

For raised rib types



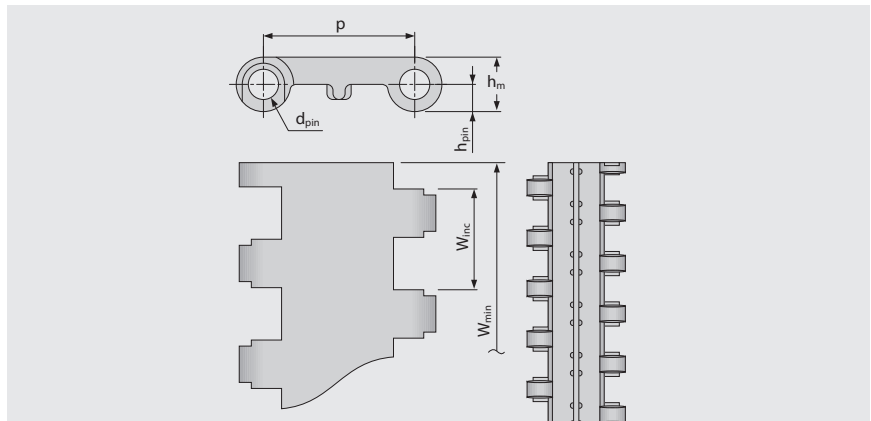
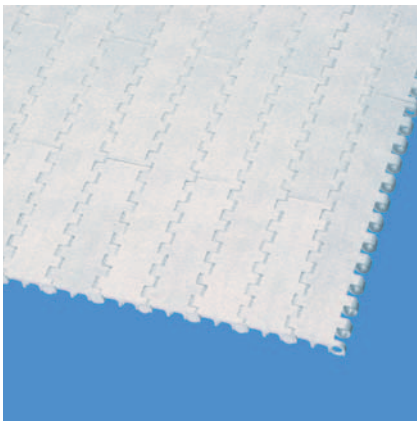
SERIES 2 | BELT TYPES

siebling prolink
modular belts

Straight running belt | Pitch 25 mm (0.98 in)

S2-0 FLT | 0% Opening | Flat top

Closed, smooth surface | Flat top surface



Belt dimensions

	p	d _{pin}	h _m	h _{pin}	h _s	W _{min}	W _{inc}	W _{tol}	Minimum flex radii ¹⁾				
	Pitch	Pin Ø	Thickness [mm]	Pin position [mm]	Height [mm]	Width min. [mm]	Width Increment [mm]	Width tolerance [%]	r1 C _c x W _B	r2	r3	r4	r5
mm	25.0	5.0	9.0	4.5	0.0	50.0	16.7	±0.2	–	25.0	50.0	75.0	25.0
inch	0.98	0.2	0.35	0.18	0.0	1.97	0.66	±0.2	–	0.98	1.97	2.95	0.98

Available standard materials⁴⁾

Belt		Pin		Nominal belt pull, straight		Weight		Width deviation	Temperature		Certificates	
Material	Color	Material	Color	[N/mm]	[lb/ft]	[kg/m ²]	[lb/ft ²]	[%]	[°C]	[°F]	FDA ²⁾	EU ³⁾
PE	WT	PE	UC	3	206	3.9	0.8	-0.2	-70/65	-94/149	●	●
POM	WT	PBT	UC	7	480	5.7	1.17	-0.3	-45/90	-49/194	●	●
POM	BL	PBT	BL	7	480	5.7	1.17	-0.3	-45/90	-49/194	●	●
PP	WT	PP	WT	5	343	3.7	0.76	0.25	5/100	41/212	●	●
PP	BL	PP	BL	5	343	3.7	0.76	0.25	5/100	41/212	●	●

Mold to width available in: 50 mm (1.97 in), 100 mm (3.94 in), 200 mm (7.87 in)

■ BL (Blue), □ UC (Uncolored), □ WT (White)

All measurements and tolerances apply at 21 °C; for temperature deviations please see Prolink manual chapter 4.4 "Temperature influence".

All imperial dimensions (inches) are rounded off.

¹⁾ Flex radii: r1 = side flex, r2 = front flex on roller, r3 = back flex on load bearing roller, r4 = back flex on Hold Down shoe, r5 = back flex on roller

²⁾ Complies with FDA 21 CFR

³⁾ Complies with (EU) 10/2011 and (EC) 1935/2004 regulations regarding the raw materials used and the migration thresholds

⁴⁾ More materials and colors on request



MOVEMENT SYSTEMS

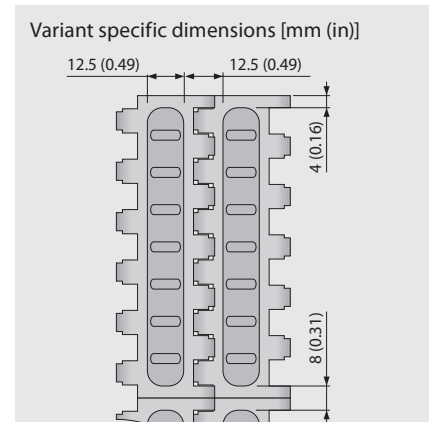
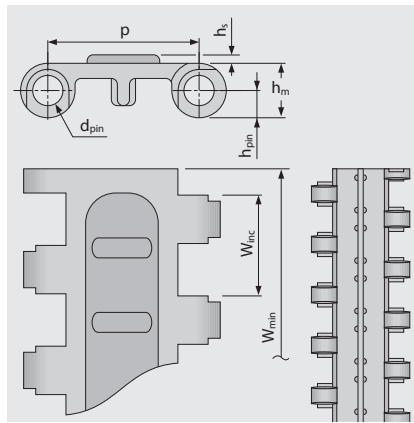
SERIES 2 | BELT TYPES

siegling prolink
modular belts

Straight running belt | Pitch 25 mm (0.98 in)

S2-0 FRT1 | 0% Opening | Friction top (Design 1)

Closed surface | Friction top provides increased grip



Belt dimensions

	p	d _{pin}	h _m	h _{pin}	h _s	W _{min}	W _{inc}	W _{tol}	Minimum flex radii ¹⁾				
	Pitch	Pin Ø	Thickness [mm]	Pin position [mm]	Height [mm]	Width min. [mm]	Width Increment [mm]	Width tolerance [%]	r1 C _c x W _B	r2	r3	r4	r5
mm	25.0	5.0	9.0	4.5	1.4	100.0	16.7	±0.2	–	25.0	50.0	75.0	25.0
inch	0.98	0.2	0.35	0.18	0.06	3.94	0.66	±0.2	–	0.98	1.97	2.95	0.98

Available standard materials⁴⁾

Belt		Pin		Rubber		Nominal belt pull, straight		Weight		Width deviation	Temperature		Certificates	
Material	Color	Material	Color	Material	Color	[N/mm]	[lb/ft]	[kg/m ²]	[lb/ft ²]	[%]	[°C]	[°F]	FDA ²⁾	EU ³⁾
POM	WT	PBT	UC	R3	TQ	7	480	5.7	1.17	-0.3	-45/65	-49/149	–	–

Mold to width available in: 100 mm (3.94 in)

■ TQ (Turquoise), □ UC (Uncolored), □ WT (White)

All measurements and tolerances apply at 21 °C; for temperature deviations please see Prolink manual chapter 4.4 "Temperature influence".

All imperial dimensions (inches) are rounded off.

¹⁾ Flex radii: r1 = side flex, r2 = front flex on roller, r3 = back flex on load bearing roller, r4 = back flex on Hold Down shoe, r5 = back flex on roller

²⁾ Complies with FDA 21 CFR

³⁾ Complies with (EU) 10/2011 and (EC) 1935/2004 regulations regarding the raw materials used and the migration thresholds

⁴⁾ More materials and colors on request



MOVEMENT SYSTEMS

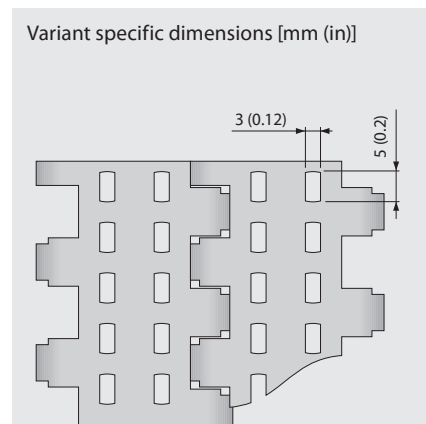
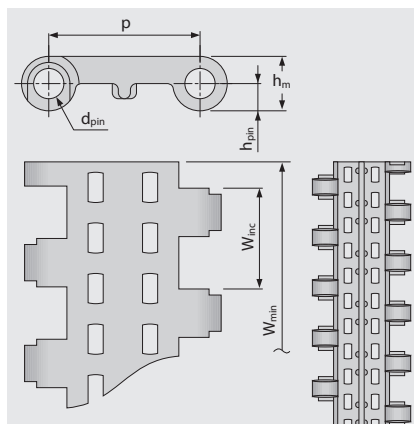
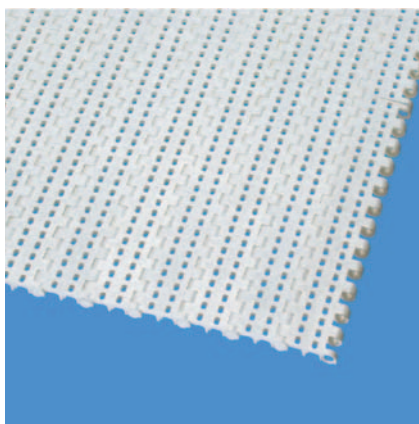
SERIES 2 | BELT TYPES

siegling prolink
modular belts

Straight running belt | Pitch 25 mm (0.98 in)

S2-12 FLT | 12% Opening | Flat top

Open version (12%) for excellent air circulation and drainage | Contact area 83% (Largest opening: 5 x 3 mm/0.2 x 0.12 in) | Flat top surface | Smooth surface



Belt dimensions

	p	d _{pin}	h _m	h _{pin}	h _s	W _{min}	W _{inc}	W _{tol}	Minimum flex radii ¹⁾				
	Pitch	Pin Ø	Thickness [mm]	Pin position [mm]	Height [mm]	Width min. [mm]	Width Increment [mm]	Width tolerance [%]	r1 C _c x W _B	r2	r3	r4	r5
mm	25.0	5.0	9.0	4.5	0.0	50.0	16.7	±0.2	–	25.0	50.0	75.0	25.0
inch	0.98	0.2	0.35	0.18	0.0	1.97	0.66	±0.2	–	0.98	1.97	2.95	0.98

Available standard materials⁴⁾

Belt		Pin		Nominal belt pull, straight		Weight		Width deviation	Temperature		Certificates	
Material	Color	Material	Color	[N/mm]	[lb/ft]	[kg/m ²]	[lb/ft ²]	[%]	[°C]	[°F]	FDA ²⁾	EU ³⁾
PE	WT	PE	UC	3	206	3.7	0.76	0.0	-70/65	-94/149	●	●
POM	WT	PBT	UC	7	480	5.4	1.11	-0.1	-45/90	-49/194	●	●
PP	WT	PP	WT	5	343	3.5	0.72	0.2	5/100	41/212	●	●

Mold to width available in: 50 mm (1.97 in), 100 mm (3.94 in), 200 mm (7.87 in)

□ UC (Uncolored), □ WT (White)

All measurements and tolerances apply at 21 °C; for temperature deviations please see ProLink manual chapter 4.4 "Temperature influence".

All imperial dimensions (inches) are rounded off.

¹⁾ Flex radii: r1 = side flex, r2 = front flex on roller, r3 = back flex on load bearing roller, r4 = back flex on Hold Down shoe, r5 = back flex on roller

²⁾ Complies with FDA 21 CFR

³⁾ Complies with (EU) 10/2011 and (EC) 1935/2004 regulations regarding the raw materials used and the migration thresholds

⁴⁾ More materials and colors on request



MOVEMENT SYSTEMS

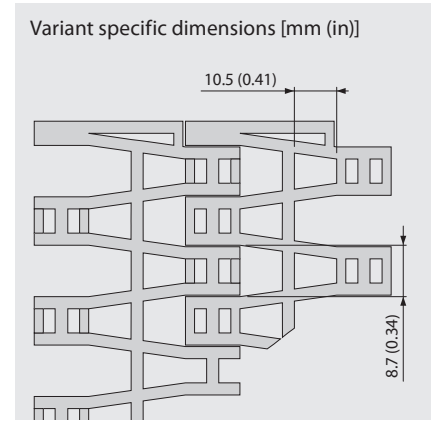
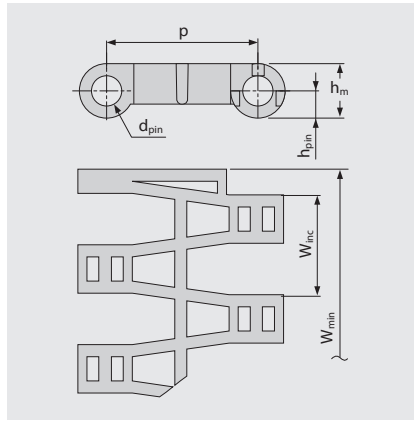
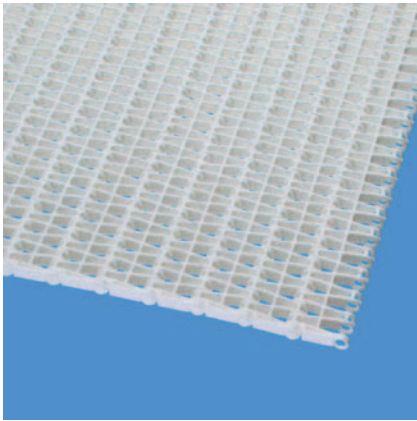
SERIES 2 | BELT TYPES

siegling prolink
modular belts

Straight running belt | Pitch 25 mm (0.98 in)

S2-57 GRT | 57 % Opening | Grid top

Large open area (57%) allows minimal product contact | Contact area 37% (Largest opening: 8.7 x 10.5 mm/0.34 x 0.41 in) | For excellent air circulation and drainage | Grid top surface



Belt dimensions

	p	d _{pin}	h _m	h _{pin}	h _s	W _{min}	W _{inc}	W _{tol}	Minimum flex radii ¹⁾				
	Pitch	Pin Ø	Thickness [mm]	Pin position [mm]	Height [mm]	Width min. [mm]	Width Increment [mm]	Width tolerance [%]	r1 C _c x W _B	r2	r3	r4	r5
mm	25.0	5.0	9.0	4.5	0.0	50.0	16.7	±0.2	–	25.0	50.0	75.0	25.0
inch	0.98	0.2	0.35	0.18	0.0	1.97	0.66	±0.2	–	0.98	1.97	2.95	0.98

Available standard materials⁴⁾

Belt		Pin		Nominal belt pull, straight		Weight		Width deviation	Temperature		Certificates	
Material	Color	Material	Color	[N/mm]	[lb/ft]	[kg/m ²]	[lb/ft ²]	[%]	[°C]	[°F]	FDA ²⁾	EU ³⁾
PE	UC	PE	UC	3	206	3.4	0.7	-0.2	-70/65	-94/149	●	●
PE	DB	PE	DB	3	206	3.4	0.7	-0.2	-70/65	-94/149	●	●
POM	WT	PBT	UC	7	480	4.8	0.98	-0.2	-45/90	-49/194	●	●
POM	BL	PBT	BL	7	480	4.8	0.98	-0.2	-45/90	-49/194	●	●
PP	WT	PP	WT	5	343	3.3	0.68	0.2	5/100	41/212	●	●
PP	BL	PP	BL	5	343	3.3	0.68	0.2	5/100	41/212	●	●

Mold to order belts

PA-HT	BK	PA-HT	BK	5	343	4.0	0.82	1.3	-30/155	-22/311	–	–
-------	----	-------	----	---	-----	-----	------	-----	---------	---------	---	---

■ BK (Black), ■ BL (Blue), ■ DB (Dark blue), □ UC (Uncolored), □ WT (White)

All measurements and tolerances apply at 21 °C; for temperature deviations please see Prolink manual chapter 4.4 "Temperature influence".

All imperial dimensions (inches) are rounded off.

¹⁾ Flex radii: r1 = side flex, r2 = front flex on roller, r3 = back flex on load bearing roller, r4 = back flex on Hold Down shoe, r5 = back flex on roller

²⁾ Complies with FDA 21 CFR

³⁾ Complies with (EU) 10/2011 and (EC) 1935/2004 regulations regarding the raw materials used and the migration thresholds

⁴⁾ More materials and colors on request



MOVEMENT SYSTEMS

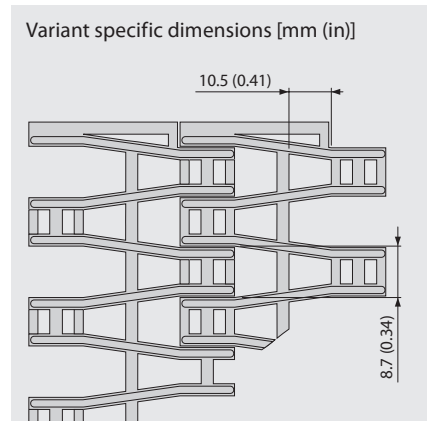
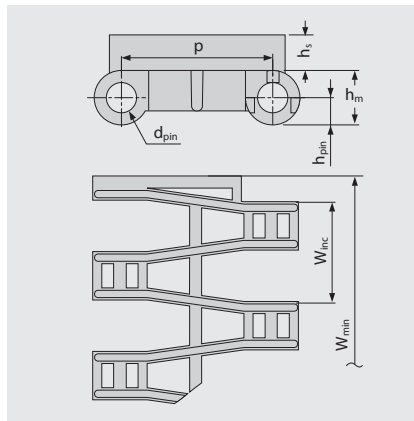
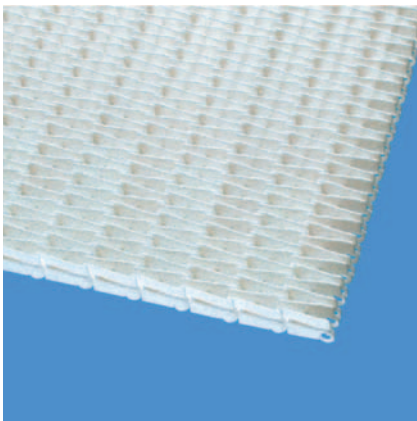
SERIES 2 | BELT TYPES

siegling prolink
modular belts

Straight running belt | Pitch 25 mm (0.98 in)

S2-57 RRB | 57% Opening | Raised rib

Large open area (57%) for excellent air circulation and drainage | Raised ribs for minimal product contact (contact area 28% – largest opening: 8.7 x 10.5 mm/0.34 x 0.41 in) and smooth product transfer using finger transfer plates



Belt dimensions

	p	d _{pin}	h _m	h _{pin}	h _s	W _{min}	W _{inc}	W _{tol}	Minimum flex radii ¹⁾				
	Pitch	Pin Ø	Thickness [mm]	Pin position [mm]	Height [mm]	Width min. [mm]	Width Increment [mm]	Width tolerance [%]	r1 C _c x W _B	r2	r3	r4	r5
mm	25.0	5.0	9.0	4.5	5.5	50.0	16.7	±0.2	–	25.0	50.0	75.0	50.0
inch	0.98	0.2	0.35	0.18	0.22	1.97	0.66	±0.2	–	0.98	1.97	2.95	1.97

Available standard materials⁴⁾

Belt		Pin		Nominal belt pull, straight		Weight		Width deviation [%]	Temperature		Certificates	
Material	Color	Material	Color	[N/mm]	[lb/ft]	[kg/m ²]	[lb/ft ²]		[°C]	[°F]	FDA ²⁾	EU ³⁾
POM	BL	PBT	BL	7	480	6.2	1.27	-0.2	-45/90	-49/194	●	●
PP	WT	PP	WT	5	343	4.2	0.86	0.2	5/100	41/212	●	●

Mold to order belts

PE		PE		3	206	4.3	0.88	-0.2	-70/65	-94/149	–	–
----	--	----	--	---	-----	-----	------	------	--------	---------	---	---

■ BL (Blue), □ WT (White)

All measurements and tolerances apply at 21 °C; for temperature deviations please see ProLink manual chapter 4.4 "Temperature influence".

All imperial dimensions (inches) are rounded off.

¹⁾ Flex radii: r1 = side flex, r2 = front flex on roller, r3 = back flex on load bearing roller, r4 = back flex on Hold Down shoe, r5 = back flex on roller

²⁾ Complies with FDA 21 CFR

³⁾ Complies with (EU) 10/2011 and (EC) 1935/2004 regulations regarding the raw materials used and the migration thresholds

⁴⁾ More materials and colors on request



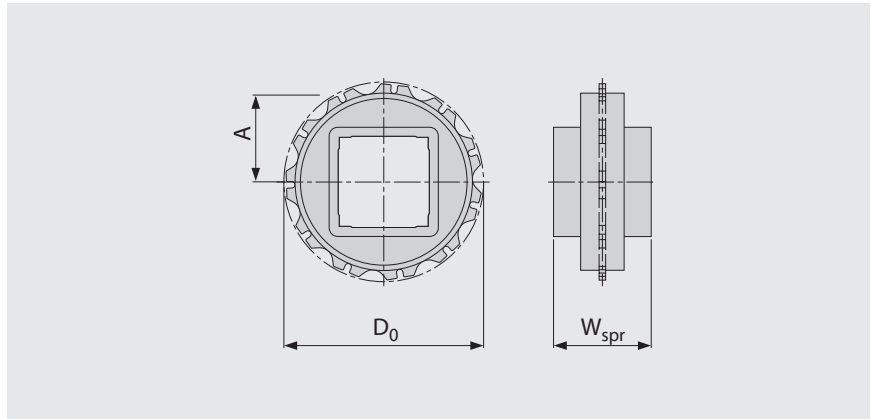
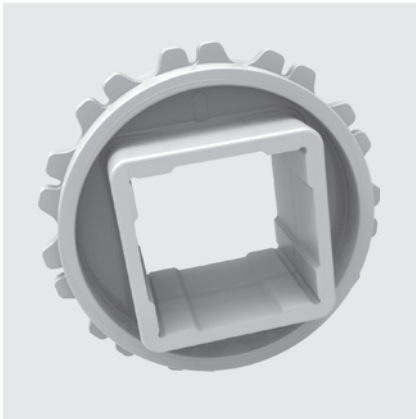
MOVEMENT SYSTEMS

SERIES 2 | SPROCKETS

siegling prolink
modular belts

Straight running belt | Pitch 25 mm (0.98 in)

S2 SPR | Sprockets



Main dimensions

Sprocket size (Number of teeth)		Z6	Z11	Z19	Z20
W _{spr}	mm	25.0	40.0	40.0	40.0
	inch	0.98	1.57	1.57	1.57
D ₀	mm	50.4	89.5	153.1	161.1
	inch	1.98	3.52	6.03	6.34
A _{max}	mm	20.7	40.2	72.1	76.0
	inch	0.81	1.58	2.84	2.99
A _{min}	mm	17.9	38.6	71.1	75.1
	inch	0.71	1.52	2.80	2.96

Shaft bores (● = Round, ■ = Square)

25	mm	●/■	●		
30	mm		●		
40	mm		■	■	■
60	mm			■	
80	mm			■	
0.75	inch	●			
1	inch	●/■	●/■		
1.5	inch		■	■	
2.5	inch			■	

Material: POM, Color: UC

□ UC (Uncolored)

All measurements and tolerances apply at 21 °C; for temperature deviations please see Prolink manual chapter 4.4 "Temperature influence".

All imperial dimensions (inches) are rounded off.

For detailed sprocket and shaft dimensions see appendix 6.3

Number of sprockets (sprocket spacing distance) see chapter 3.2



MOVEMENT SYSTEMS

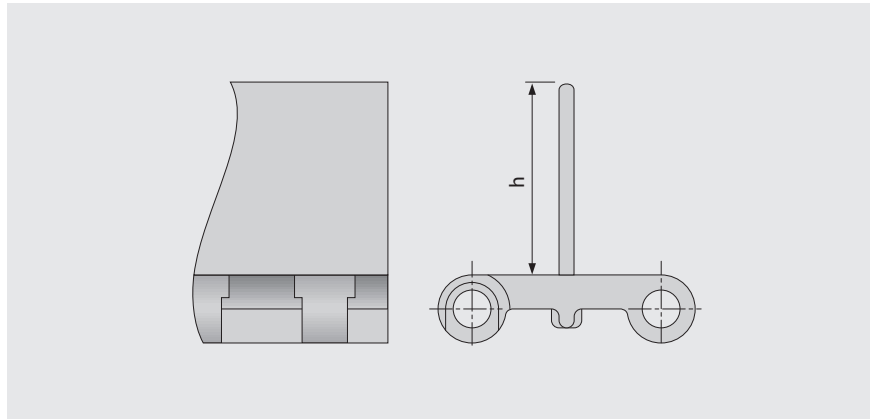
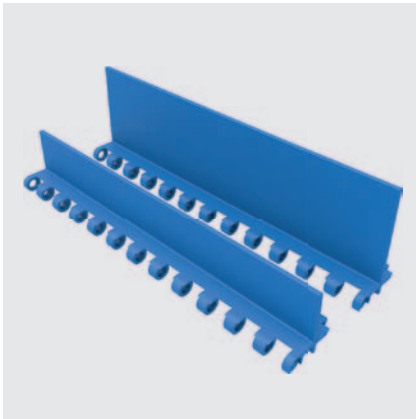
SERIES 2 | PROFILES

siegling prolink
modular belts

Straight running belt | Pitch 25 mm (0.98 in)

S2-0 FLT PMU

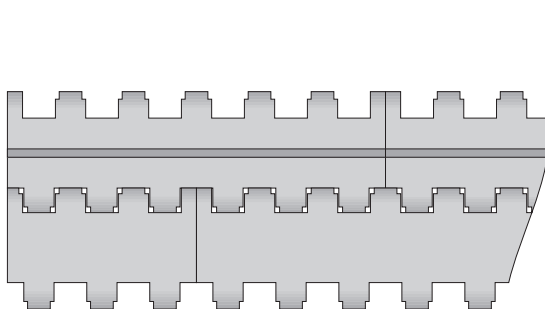
Flat top surface for dry products



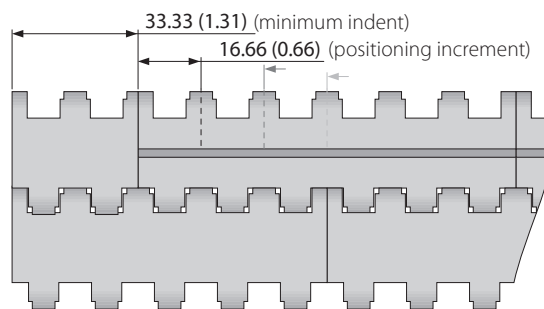
Basic data

Material	Color	Height (h)	
		25 mm 1 inch	50 mm 2 inch
PE	WT	●	●
POM	BL	●	●
POM	WT	●	●
PP	BL	●	●
PP	GN	●	
PP	WT	●	●

Molded width: 200 mm (7.9 in)



Standard configuration S2-0 FLT PMU



Indent configuration S2-0 FLT PMU

■ BL (Blue), ■ GN (Green), □ WT (White)

All measurements and tolerances apply at 21 °C; for temperature deviations please see Prolink manual chapter 4.4 "Temperature influence".

All imperial dimensions (inches) are rounded off.

Note: Use of accessory in a belt may impact on the minimum design radii. Please see chapter 6.3 for further information.



MOVEMENT SYSTEMS

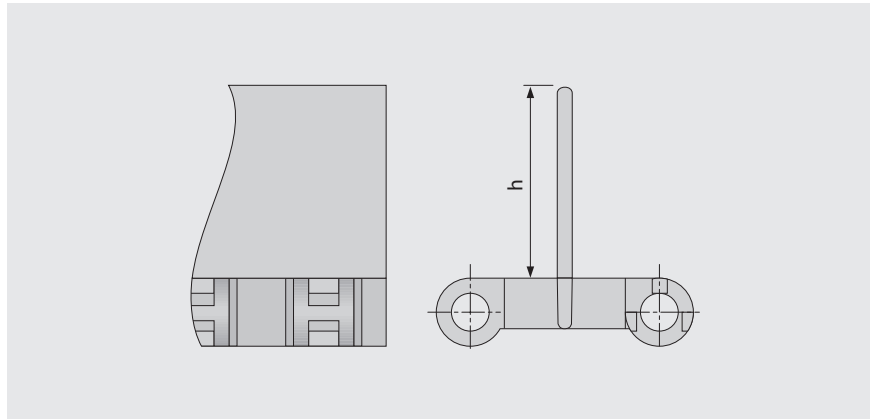
SERIES 2 | PROFILES

siegling prolink
modular belts

Straight running belt | Pitch 25 mm (0.98 in)

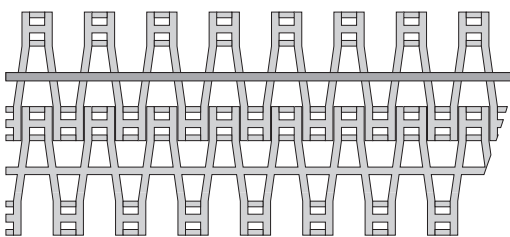
S2-57 GRT PMC

Open version (57%) base module for good drainage

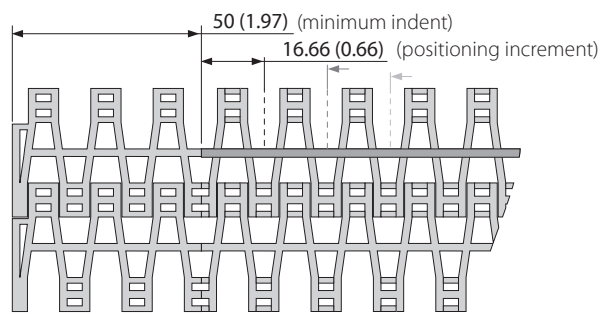


Basic data

Material	Color	Height (h)	
		25 mm 1 inch	50 mm 2 inch
PE	UC	●	●
POM	BL	●	●
POM	UC	●	●
PP	BL	●	●
PP	WT	●	●



Standard configuration S2-57 GRT PMC



Indent configuration S2-57 GRT PMC

■ BL (Blue), □ UC (Uncolored), □ WT (White)

All measurements and tolerances apply at 21 °C; for temperature deviations please see Prolink manual chapter 4.4 "Temperature influence".

All imperial dimensions (inches) are rounded off.

Note: Use of accessory in a belt may impact on the minimum design radii. Please see chapter 6.3 for further information.



MOVEMENT SYSTEMS

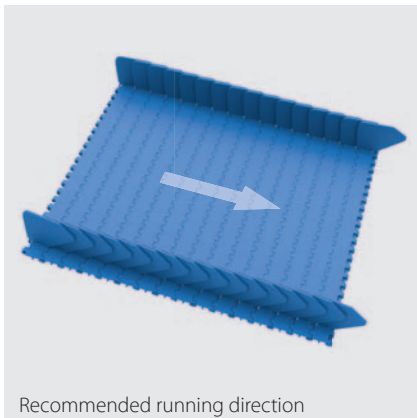
SERIES 2 | SIDE GUARDS

siegling prolink
modular belts

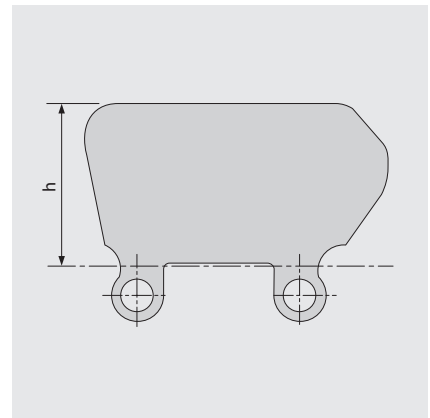
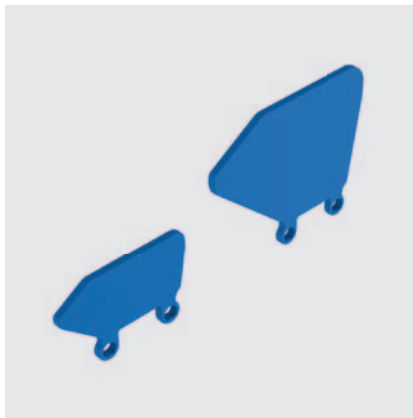
Straight running belt | Pitch 25 mm (0.98 in)

S2 SG | Side guards

For retention of bulk products

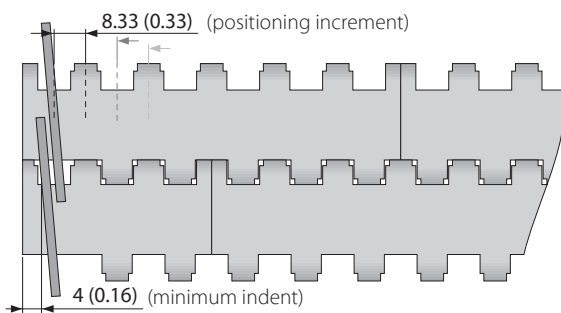


Recommended running direction



Basic data

Material	Color	Height (h)	
		25 mm 1 inch	50 mm 2 inch
PE	BL	●	●
PE	WT	●	●
PP	BL	●	●
PP	WT	●	●



■ BL (Blue), □ WT (White)

All measurements and tolerances apply at 21 °C; for temperature deviations please see Prolink manual chapter 4.4 "Temperature influence".

All imperial dimensions (inches) are rounded off.

Note: Use of accessory in a belt may impact on the minimum design radii. Please see chapter 6.3 for further information.



MOVEMENT SYSTEMS

LEGEND

① Series	
S1 ... S18	


② Open area/Sprocket size	
Percentage open area	Format: xx
E.g. 20 = 20%	
For sprockets: number of teeth	Format: "Z"xx
E.g. Z12 = 12 teeth	

③ Surface pattern	
BSL	Base module for slider
CTP	Cone top
CUT	Curved top
FLT	Flat top (smooth)
FRT-OG	Friction top without High Grip insert
FRT(X)	Friction top (Design X)
GRT	Grid top
HDK	High Deck
LRB	Lateral rib
MOD	Modified module shape
NCL	No cling
NPY	Negative pyramid
NSK	Non skid
NSK2	Non skid, nonwoven variant
NTP	Nub top (round studs)
PRR	Pin Retained Rollers
RAT	Radius top
RRB	Raised rib
RSA	Reduced surface area
RTP	Roller top
SRS	Slip-resistant surface

④ Type	
BPU	Bucket profile
CAP	Pin lock & belt edge sealing
CCW	Counter clockwise
CLP	Clip
CM	Center module
CW	Clockwise
FPL	Finger plate
HDT	Hold Down Tab
IDL	Idler
PIN	Coupling rod
PMC	Profile module center
PMU	Profile module universal
PSP	ProSnap
RI	High Grip insert
RTR	Retaining ring
SG	Module with sideguard
SLI	Slider
SML	Side module, left
SMR	Side module, right
SMU	Side module, universal/both sides
SPR	Sprocket
TPL	Turning panel, left
TPR	Turning panel, right
UM	Universal module
WSC	Wheel Stopper Center
WSS	Wheel Stopper Side

⑥ Style	
1.7	1.7 collapse factor
2.2	2.2 collapse factor
2.2 G	2.2 collapse factor, guided
A90	Angle 90° to conveying direction
BT	Bearing tab
DR	Double row sprocket
F1, F2, F3 ...	Collapse factor modules
G	Guided
GT	Guiding tabs
HD	Hold Down
Ixx	xx = indent in mm
RG	Reversed guided
SG	Side guard
SP	Split sprocket
ST	Strong

⑥ Material	
PA	Polyamide
PA-HT	Polyamide high temperature
PBT	Polybutylenterephthalate
PE	Polyethylene
PE-MD	PE metal detectable
PLX	Wear & impact improved polymer
POM	Polyoxymethylene (Polyacetal)
POM-CR	POM cut resistant
POM-HC	POM highly conductive
POM-MD	POM metal detectable
POM-PE	POM side modules + PE center modules
POM-PP	POM side modules + PP center modules
PP	Polypropylene
PXX-HC	Self-extinguishing highly conductive material
R1	TPE 80 Shore A, PP
R2	EPDM 80 Shore A, vulcanized
R3	TPE 70 Shore A, POM
R4	TPE 86 Shore A, PP
R5	TPE 52 Shore A, PP
R6	TPE 63 Shore A, POM
R7	TPE 50 Shore A, PP
R8	TPE 55 Shore A, PE
SER	Self-extinguishing TPE
SS	Stainless steel
TPC1	Thermoplastic Copolyester
-HA	Supports the HACCP concept
-HW	High Wear resistant material

⑦ Color*		
AT	Anthracite	
BG	Beige	
BK	Black	
BL	Blue	
DB	Dark blue	
GN	Green	
LB	Light blue	
LG	Light gray	
OR	Orange	
RE	Red	
TQ	Turquoise	
UC	Uncolored	
WT	White	
YL	Yellow	

⑧ Height/Diameter/ Bore size and style	
Height in mm (in)	Format: Hxxx
Pin diameter in mm (in)	Format: Dxxx
Bore size: SQ (= square) or RD (= round)	either in mm or inches
	Format: SQxxMM or RDxxIN

⑨ Length/Width	
Pins Length in mm (in)	Format: Lxxx
Module width in mm (in)	Format: Wxxx

* For each series' standard colors please refer to the table of materials for each belt (chapter 1.2). A number of other colors are available on request. Colors can vary from the original due to the print, production processes or material used.