

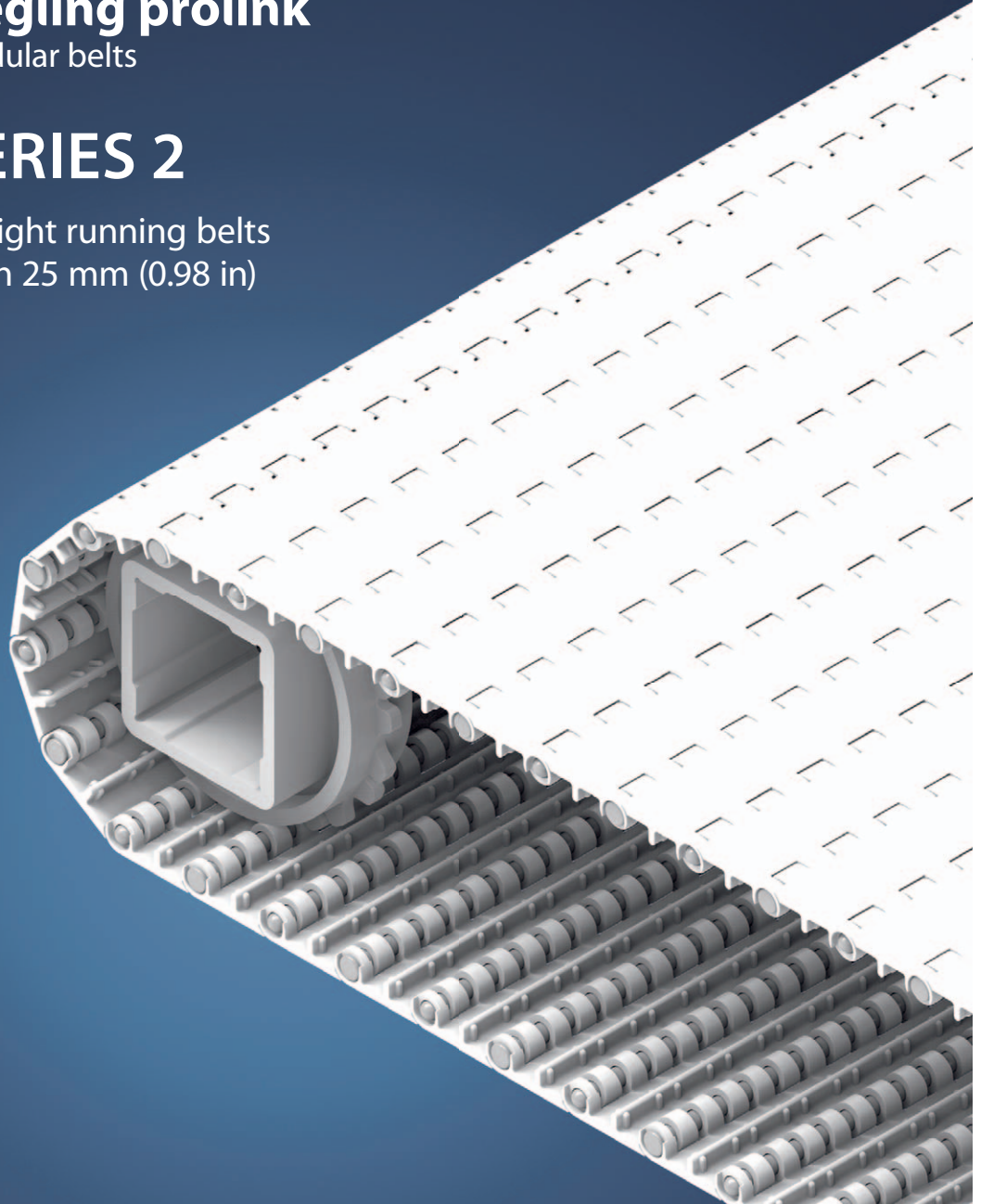
# EXCERPT FROM PROLINK ENGINEERING MANUAL

01/20 (Ref-No. 888)

**siegling prolink**  
modular belts

## SERIES 2

Straight running belts  
Pitch 25 mm (0.98 in)



**Forbo Siegling GmbH**  
Lilienthalstraße 6/8, D-30179 Hannover  
Phone +49 511 6704 0  
[www.forbo-siegling.com](http://www.forbo-siegling.com), [siegling@forbo.com](mailto:siegling@forbo.com)

Ref. no. 888-2\_1.2\_S2

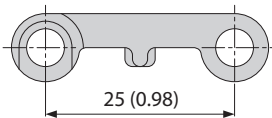
# SERIES 2 | OVERVIEW

siegling prolink  
modular belts

Straight running belts | Pitch 25 mm (0.98 in)

## Belts for light-duty food and container handling applications

### Side view scale 1:1



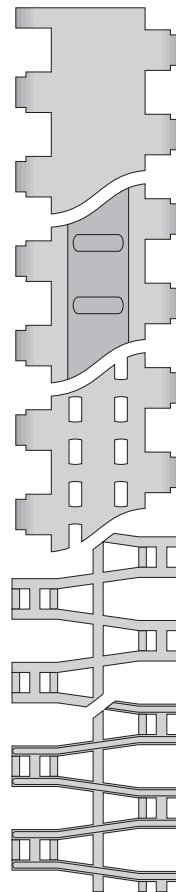
### Design characteristics

- Hinges that open wide provides an easy-to-clean belt design
- Low belt weight reduces energy consumption
- Open edge design on flat top versions for unhindered drainage and closed edge design on grid top and raised rib versions

### Basic data

Pitch	25 mm (0.98)
Belt width min.	50 mm (1.97 in) 100 mm (3.9 in) for belts with FRT-pattern
Width increments	16.66 mm (0.7 in)
Hinge pins	Made of plastic (PE, PP, PBT)

### Available surface pattern and opening area



#### S2-0 FLT

Closed, smooth surface

#### S2-0 FRT1

Closed surface with friction top

#### S2-12 FLT

Open (12%), smooth surface

#### S2-57 GRT

Open (57%), grid top surface

#### S2-57 RRB

Open (57%), raised rib surface

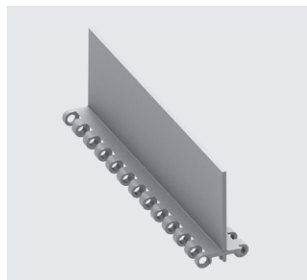
### Sprockets

in different sizes with round or square sprocket bore



### Profiles

in different heights and designs for inclines



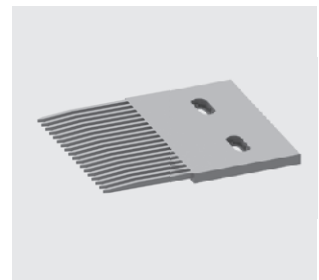
### Side guards

in different heights for retention of bulk products



### Finger plates

For raised rib types



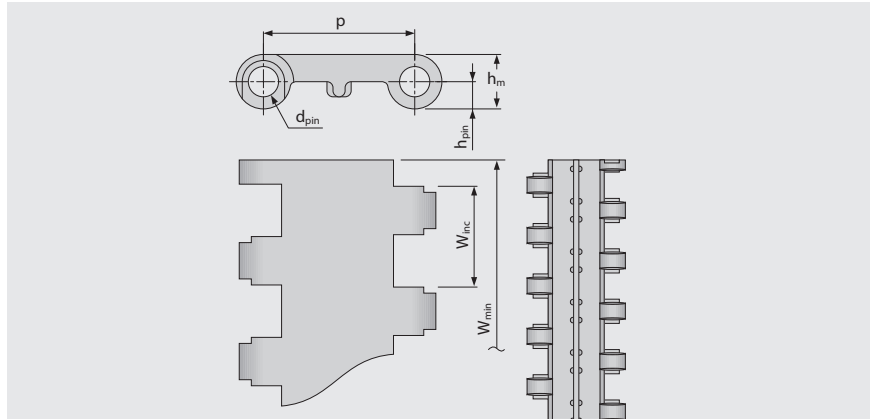
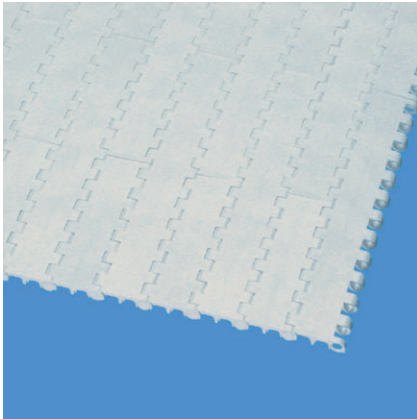
# SERIES 2 | BELT TYPES

siegling prolink  
modular belts

Straight running belt | Pitch 25 mm (0.98 in)

## S2-0 FLT | 0% Opening | Flat top

Closed, smooth surface | Flat top surface



### Belt dimensions

	p	d <sub>pin</sub>	h <sub>m</sub>	h <sub>pin</sub>	h <sub>s</sub>	W <sub>min</sub>	W <sub>inc</sub>	W <sub>tol</sub>	Minimum flex radii <sup>1)</sup>				
	Pitch	Pin Ø	Thickness [mm]	Pin position [mm]	Height [mm]	Width min. [mm]	Width Increment [mm]	Width tolerance [%]	r1	r2	r3	r4	r5
mm	25.0	5.0	9.0	4.5	0.0	50.0	16.7	±0.2	–	25.0	50.0	75.0	25.0
inch	0.98	0.2	0.35	0.18	0.0	1.97	0.66	±0.2	–	0.98	1.97	2.95	0.98

### Available standard materials<sup>4)</sup>

Belt		Pin		Nominal belt pull, straight		Weight		Width deviation	Temperature		Certificates	
Material	Color	Material	Color	[N/mm]	[lb/ft]	[kg/m <sup>2</sup> ]	[lb/ft <sup>2</sup> ]	[%]	[°C]	[°F]	FDA <sup>2)</sup>	EU <sup>3)</sup>
PE	WT	PE	UC	3	206	3.9	0.8	-0.2	-70/65	-94/149	●	●
POM	WT	PBT	UC	7	480	5.7	1.17	-0.3	-45/90	-49/194	●	●
POM	BL	PBT	BL	7	480	5.7	1.17	-0.3	-45/90	-49/194	●	●
PP	WT	PP	WT	5	343	3.7	0.76	0.25	5/100	41/212	●	●
PP	BL	PP	BL	5	343	3.7	0.76	0.25	5/100	41/212	●	●

Mold to width available in: 50 mm (1.97 in), 100 mm (3.94 in), 200 mm (7.87 in)

■ BL (Blue), □ UC (Uncolored), □ WT (White)

All measurements and tolerances apply at 21 °C; for temperature deviations please see Prolink manual chapter 4.4 "Temperature influence".

All imperial dimensions (inches) are rounded off.

<sup>1)</sup> Flex radii: r1 = side flex, r2 = front flex on roller, r3 = back flex on load bearing roller, r4 = back flex on Hold Down shoe, r5 = back flex on roller

<sup>2)</sup> Complies with FDA 21 CFR

<sup>3)</sup> Complies with (EU) 10/2011 and (EC) 1935/2004 regulations regarding the raw materials used and the migration thresholds

<sup>4)</sup> More materials and colors on request



MOVEMENT SYSTEMS

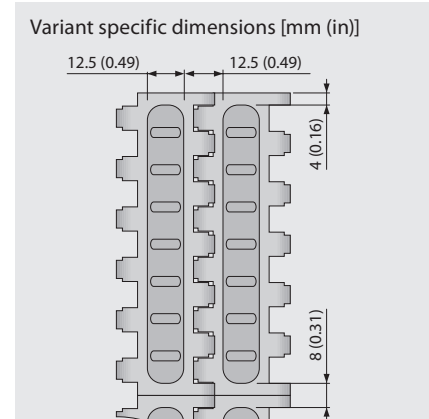
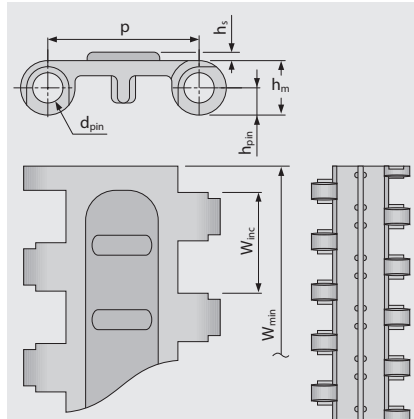
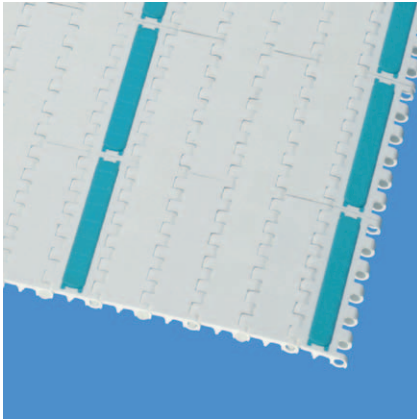
# SERIES 2 | BELT TYPES

siegling prolink  
modular belts

Straight running belt | Pitch 25 mm (0.98 in)

## S2-0 FRT1 | 0% Opening | Friction top (Design 1)

Closed surface | Friction top provides increased grip



### Belt dimensions

	p	d <sub>pin</sub>	h <sub>m</sub>	h <sub>pin</sub>	h <sub>s</sub>	W <sub>min</sub>	W <sub>inc</sub>	W <sub>tol</sub>	Minimum flex radii <sup>1)</sup>				
	Pitch	Pin Ø	Thickness [mm]	Pin position [mm]	Height [mm]	Width min. [mm]	Width Increment [mm]	Width tolerance [%]	r1	r2	r3	r4	r5
mm	25.0	5.0	9.0	4.5	1.4	100.0	16.7	±0.2	–	25.0	50.0	75.0	25.0
inch	0.98	0.2	0.35	0.18	0.06	3.94	0.66	±0.2	–	0.98	1.97	2.95	0.98

### Available standard materials<sup>4)</sup>

Belt		Pin		Rubber		Nominal belt pull, straight		Weight		Width deviation	Temperature		Certificates	
Material	Color	Material	Color	Material	Color	[N/mm]	[lb/ft]	[kg/m <sup>2</sup> ]	[lb/ft <sup>2</sup> ]	[%]	[°C]	[°F]	FDA <sup>2)</sup>	EU <sup>3)</sup>
POM	WT	PBT	UC	R3	TQ	7	480	5.7	1.17	-0.3	-45/65	-49/149	–	–

Mold to width available in: 100 mm (3.94 in)

■ TQ (Turquoise), □ UC (Uncolored), □ WT (White)

All measurements and tolerances apply at 21 °C; for temperature deviations please see Prolink manual chapter 4.4 "Temperature influence".

All imperial dimensions (inches) are rounded off.

<sup>1)</sup> Flex radii: r1 = side flex, r2 = front flex on roller, r3 = back flex on load bearing roller, r4 = back flex on Hold Down shoe, r5 = back flex on roller

<sup>2)</sup> Complies with FDA 21 CFR

<sup>3)</sup> Complies with (EU) 10/2011 and (EC) 1935/2004 regulations regarding the raw materials used and the migration thresholds

<sup>4)</sup> More materials and colors on request



MOVEMENT SYSTEMS

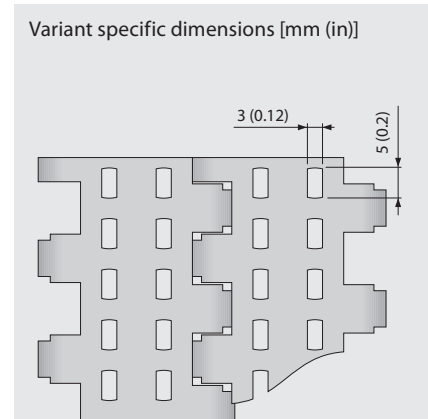
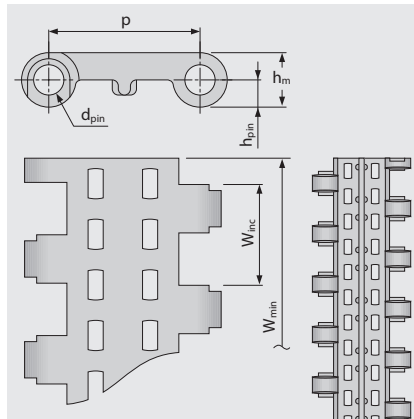
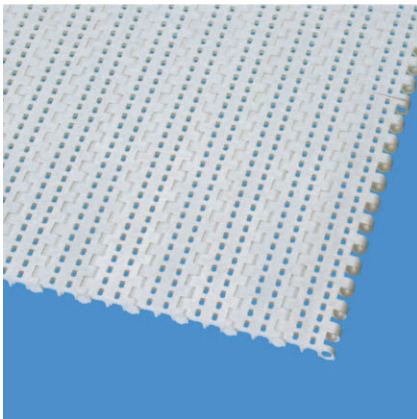
# SERIES 2 | BELT TYPES

siegling prolink  
modular belts

Straight running belt | Pitch 25 mm (0.98 in)

## S2-12 FLT | 12% Opening | Flat top

Open version (12%) for excellent air circulation and drainage | Contact area 83% (Largest opening: 5 x 3 mm/0.2 x 0.12 in) | Flat top surface | Smooth surface



### Belt dimensions

	p	d <sub>pin</sub>	h <sub>m</sub>	h <sub>pin</sub>	h <sub>s</sub>	W <sub>min</sub>	W <sub>inc</sub>	W <sub>tol</sub>	Minimum flex radii <sup>1)</sup>				
	Pitch	Pin Ø	Thickness [mm]	Pin position [mm]	Height [mm]	Width min. [mm]	Width Increment [mm]	Width tolerance [%]	r1	r2	r3	r4	r5
mm	25.0	5.0	9.0	4.5	0.0	50.0	16.7	±0.2	–	25.0	50.0	75.0	25.0
inch	0.98	0.2	0.35	0.18	0.0	1.97	0.66	±0.2	–	0.98	1.97	2.95	0.98

### Available standard materials<sup>4)</sup>

Belt		Pin		Nominal belt pull, straight		Weight		Width deviation [%]	Temperature		Certificates	
Material	Color	Material	Color	[N/mm]	[lb/ft]	[kg/m <sup>2</sup> ]	[lb/ft <sup>2</sup> ]		[°C]	[°F]	FDA <sup>2)</sup>	EU <sup>3)</sup>
PE	WT	PE	UC	3	206	3.7	0.76	0.0	-70/65	-94/149	●	●
POM	WT	PBT	UC	7	480	5.4	1.11	-0.1	-45/90	-49/194	●	●
PP	WT	PP	WT	5	343	3.5	0.72	0.2	5/100	41/212	●	●

Mold to width available in: 50 mm (1.97 in), 100 mm (3.94 in), 200 mm (7.87 in)

UC (Uncolored),  WT (White)

All measurements and tolerances apply at 21 °C; for temperature deviations please see Prolink manual chapter 4.4 "Temperature influence".

All imperial dimensions (inches) are rounded off.

<sup>1)</sup> Flex radii: r1 = side flex, r2 = front flex on roller, r3 = back flex on load bearing roller, r4 = back flex on Hold Down shoe, r5 = back flex on roller

<sup>2)</sup> Complies with FDA 21 CFR

<sup>3)</sup> Complies with (EU) 10/2011 and (EC) 1935/2004 regulations regarding the raw materials used and the migration thresholds

<sup>4)</sup> More materials and colors on request



MOVEMENT SYSTEMS

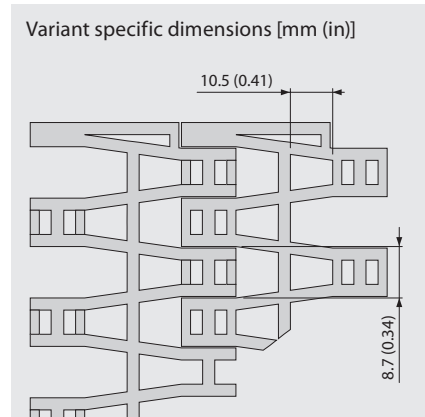
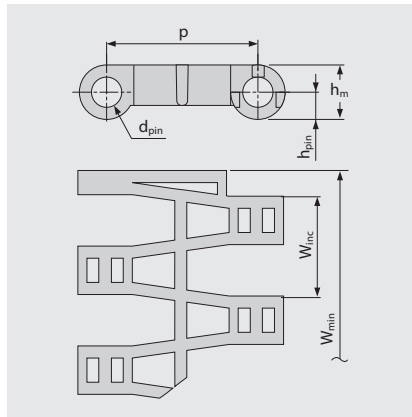
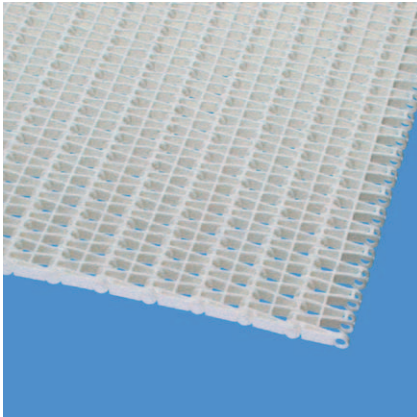
# SERIES 2 | BELT TYPES

siegling prolink  
modular belts

Straight running belt | Pitch 25 mm (0.98 in)

## S2-57 GRT | 57% Opening | Grid top

Large open area (57%) allows minimal product contact | Contact area 37% (Largest opening: 8.7 x 10.5 mm/0.34 x 0.41 in) | For excellent air circulation and drainage | Grid top surface



### Belt dimensions

	p	d <sub>pin</sub>	h <sub>m</sub>	h <sub>pin</sub>	h <sub>s</sub>	W <sub>min</sub>	W <sub>inc</sub>	W <sub>tol</sub>	Minimum flex radii <sup>1)</sup>				
	Pitch	Pin Ø	Thickness [mm]	Pin position [mm]	Height [mm]	Width min. [mm]	Width Increment [mm]	Width tolerance [%]	r1	r2	r3	r4	r5
mm	25.0	5.0	9.0	4.5	0.0	50.0	16.7	±0.2	–	25.0	50.0	75.0	25.0
inch	0.98	0.2	0.35	0.18	0.0	1.97	0.66	±0.2	–	0.98	1.97	2.95	0.98

### Available standard materials<sup>4)</sup>

Belt		Pin		Nominal belt pull, straight		Weight		Width deviation	Temperature		Certificates	
Material	Color	Material	Color	[N/mm]	[lb/ft]	[kg/m <sup>2</sup> ]	[lb/ft <sup>2</sup> ]	[%]	[°C]	[°F]	FDA <sup>2)</sup>	EU <sup>3)</sup>
PE	UC	PE	UC	3	206	3.4	0.7	-0.2	-70/65	-94/149	●	●
PE	DB	PE	DB	3	206	3.4	0.7	-0.2	-70/65	-94/149	●	●
POM	WT	PBT	UC	7	480	4.8	0.98	-0.2	-45/90	-49/194	●	●
POM	BL	PBT	BL	7	480	4.8	0.98	-0.2	-45/90	-49/194	●	●
PP	WT	PP	WT	5	343	3.3	0.68	0.2	5/100	41/212	●	●
PP	BL	PP	BL	5	343	3.3	0.68	0.2	5/100	41/212	●	●

Mold to order belts												
PA-HT	BK	PA-HT	BK	5	343	4.0	0.82	1.3	-30/155	-22/311	–	–

■ BK (Black), ■ BL (Blue), ■ DB (Dark blue), ■ UC (Uncolored), ■ WT (White)

All measurements and tolerances apply at 21 °C; for temperature deviations please see Prolink manual chapter 4.4 "Temperature influence".

All imperial dimensions (inches) are rounded off.

<sup>1)</sup> Flex radii: r1 = side flex, r2 = front flex on roller, r3 = back flex on load bearing roller, r4 = back flex on Hold Down shoe, r5 = back flex on roller

<sup>2)</sup> Complies with FDA 21 CFR

<sup>3)</sup> Complies with (EU) 10/2011 and (EC) 1935/2004 regulations regarding the raw materials used and the migration thresholds

<sup>4)</sup> More materials and colors on request



MOVEMENT SYSTEMS

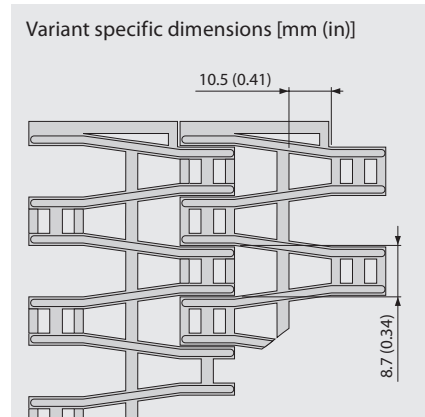
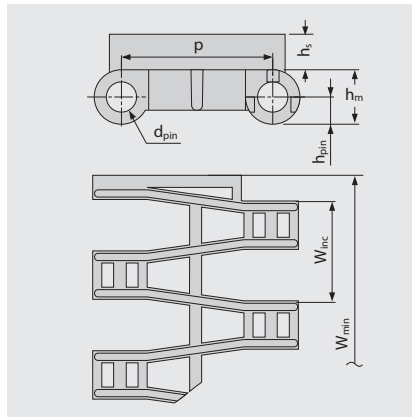
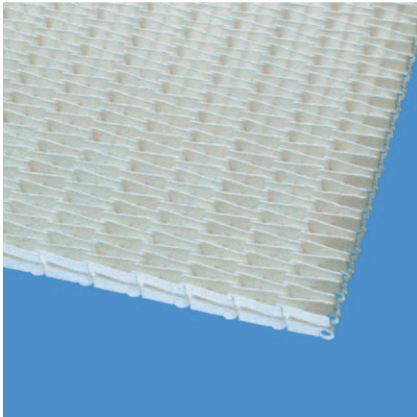
# SERIES 2 | BELT TYPES

siegling prolink  
modular belts

Straight running belt | Pitch 25 mm (0.98 in)

## S2-57 RRB | 57% Opening | Raised rib

Large open area (57%) for excellent air circulation and drainage | Raised ribs for minimal product contact (contact area 28% – largest opening: 8.7 x 10.5 mm/0.34 x 0.41 in) and smooth product transfer using finger transfer plates



### Belt dimensions

	p	d <sub>pin</sub>	h <sub>m</sub>	h <sub>pin</sub>	h <sub>s</sub>	W <sub>min</sub>	W <sub>inc</sub>	W <sub>tol</sub>	Minimum flex radii <sup>1)</sup>				
	Pitch	Pin Ø	Thickness [mm]	Pin position [mm]	Height [mm]	Width min. [mm]	Width Increment [mm]	Width tolerance [%]	r1	r2	r3	r4	r5
mm	25.0	5.0	9.0	4.5	5.5	50.0	16.7	±0.2	–	25.0	50.0	75.0	50.0
inch	0.98	0.2	0.35	0.18	0.22	1.97	0.66	±0.2	–	0.98	1.97	2.95	1.97

### Available standard materials<sup>4)</sup>

Belt		Pin		Nominal belt pull, straight		Weight		Width deviation	Temperature		Certificates	
Material	Color	Material	Color	[N/mm]	[lb/ft]	[kg/m <sup>2</sup> ]	[lb/ft <sup>2</sup> ]	[%]	[°C]	[°F]	FDA <sup>2)</sup>	EU <sup>3)</sup>
POM	BL	PBT	BL	7	480	6.2	1.27	-0.2	-45/90	-49/194	●	●
PP	WT	PP	WT	5	343	4.2	0.86	0.2	5/100	41/212	●	●
Mold to order belts												
PE		PE		3	206	4.3	0.88	-0.2	-70/65	-94/149	–	–

■ BL (Blue), □ WT (White)

All measurements and tolerances apply at 21 °C; for temperature deviations please see Prolink manual chapter 4.4 "Temperature influence".

All imperial dimensions (inches) are rounded off.

<sup>1)</sup> Flex radii: r1 = side flex, r2 = front flex on roller, r3 = back flex on load bearing roller, r4 = back flex on Hold Down shoe, r5 = back flex on roller

<sup>2)</sup> Complies with FDA 21 CFR

<sup>3)</sup> Complies with (EU) 10/2011 and (EC) 1935/2004 regulations regarding the raw materials used and the migration thresholds

<sup>4)</sup> More materials and colors on request



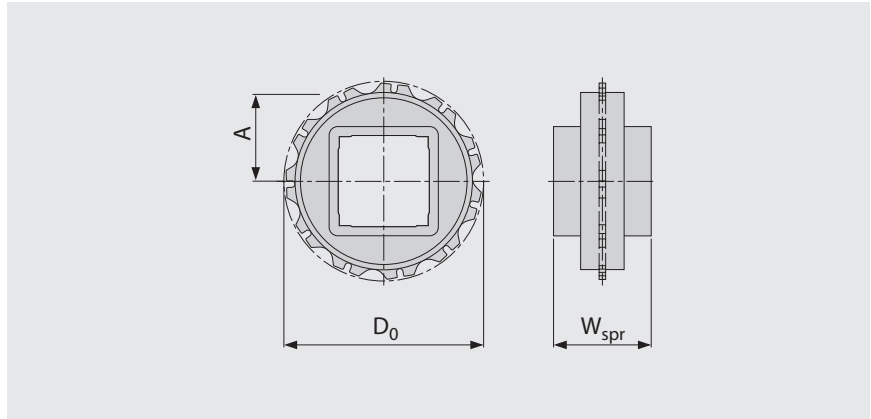
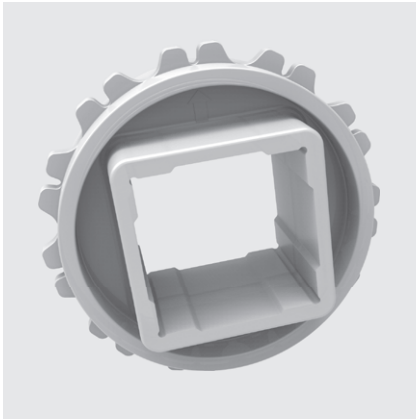
MOVEMENT SYSTEMS

# SERIES 2 | SPROCKETS

siegling prolink  
modular belts

Straight running belt | Pitch 25 mm (0.98 in)

## S2 SPR | Sprockets



### Main dimensions

Sprocket size (Number of teeth)		Z6	Z11	Z19	Z20
W <sub>spr</sub>	mm	25.0	40.0	40.0	40.0
	inch	0.98	1.57	1.57	1.57
D <sub>0</sub>	mm	50.4	89.5	153.1	161.1
	inch	1.98	3.52	6.03	6.34
A <sub>max</sub>	mm	20.7	40.2	72.1	76.0
	inch	0.81	1.58	2.84	2.99
A <sub>min</sub>	mm	17.9	38.6	71.1	75.1
	inch	0.71	1.52	2.80	2.96

### Shaft bores (● = Round, ■ = Square)

25	mm	●/■	●		
30	mm		●		
40	mm		■	■	■
60	mm			■	
80	mm			■	
0.75	inch	●			
1	inch	●/■	●/■		
1.5	inch		■	■	
2.5	inch			■	

Material: POM, Color: UC

□ UC (Uncolored)

All measurements and tolerances apply at 21 °C; for temperature deviations please see Prolink manual chapter 4.4 "Temperature influence".

All imperial dimensions (inches) are rounded off.

For detailed sprocket and shaft dimensions see appendix 6.3.



MOVEMENT SYSTEMS



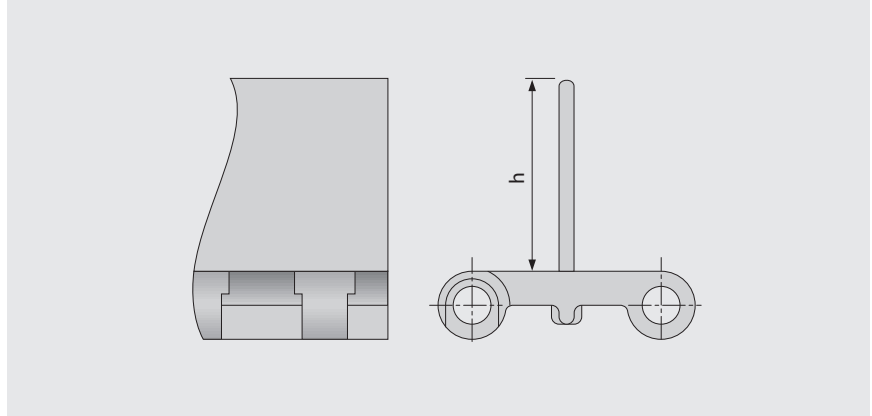
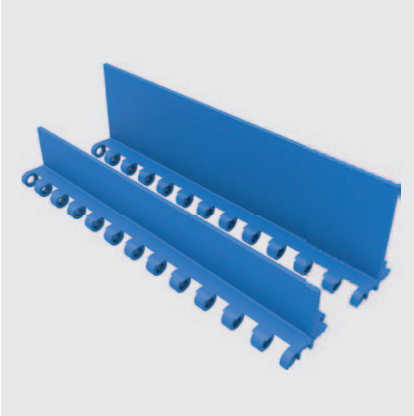
# SERIES 2 | PROFILES

siegling prolink  
modular belts

Straight running belt | Pitch 25 mm (0.98 in)

## S2-0 FLT PMU

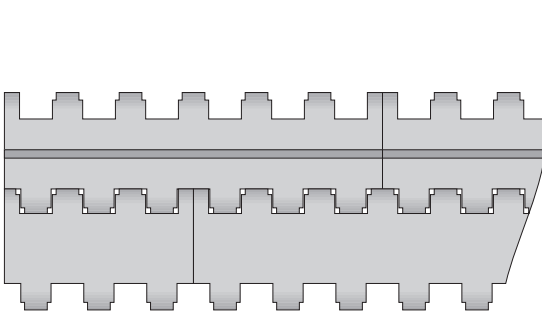
Flat top surface for dry products



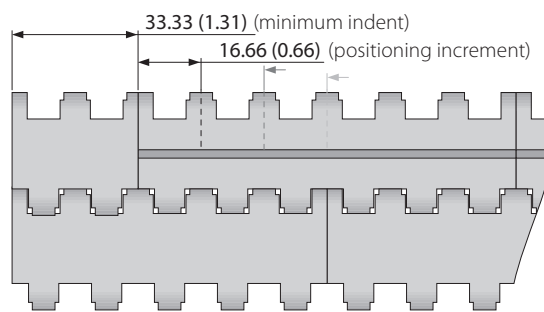
### Basic data

Material	Color	Height (h)	
		25 mm 1 inch	50 mm 2 inch
PE	WT	●	●
POM	BL	●	●
POM	WT	●	●
PP	BL	●	●
PP	GN	●	
PP	WT	●	●

Molded width: 200 mm (7.9 in)



Standard configuration S2-0 FLT PMU



Indent configuration S2-0 FLT PMU

■ BL (Blue), ■ GN (Green), □ WT (White)

All measurements and tolerances apply at 21 °C; for temperature deviations please see Prolink manual chapter 4.4 "Temperature influence".

All imperial dimensions (inches) are rounded off.

Note: Use of accessory in a belt may impact on the minimum design radii. Please see chapter 6.3 for further information.



MOVEMENT SYSTEMS

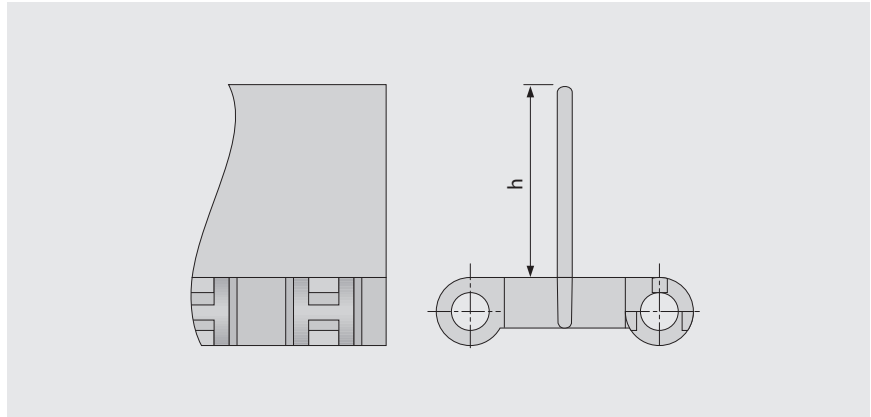
# SERIES 2 | PROFILES

siegling prolink  
modular belts

Straight running belt | Pitch 25 mm (0.98 in)

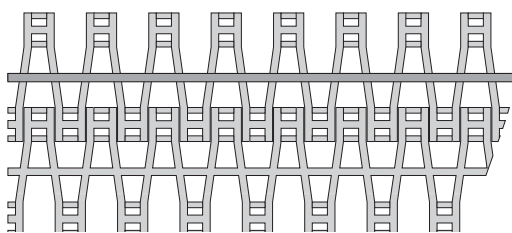
## S2-57 GRT PMC

Open version (57%) base module for good drainage

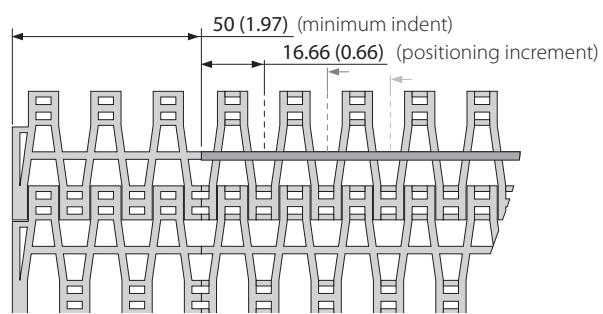


### Basic data

Material	Color	Height (h)	
		25 mm 1 inch	50 mm 2 inch
PE	UC	●	●
POM	BL	●	●
POM	UC	●	●
PP	BL	●	●
PP	WT	●	●



Standard configuration S2-57 GRT PMC



Indent configuration S2-57 GRT PMC

■ BL (Blue), □ UC (Uncolored), □ WT (White)

All measurements and tolerances apply at 21 °C; for temperature deviations please see Prolink manual chapter 4.4 "Temperature influence".

All imperial dimensions (inches) are rounded off.

Note: Use of accessory in a belt may impact on the minimum design radii. Please see chapter 6.3 for further information.



MOVEMENT SYSTEMS

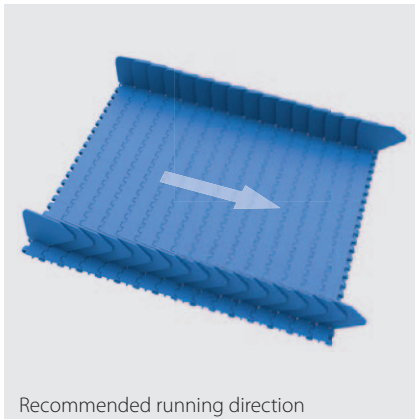
# SERIES 2 | SIDE GUARDS

siegling prolink  
modular belts

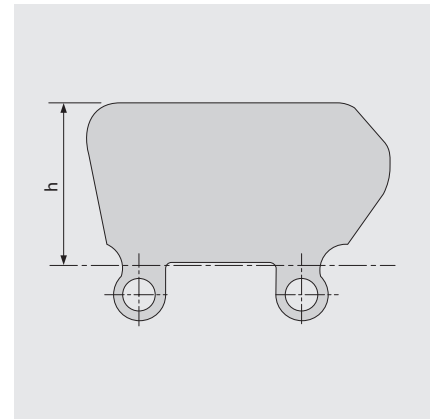
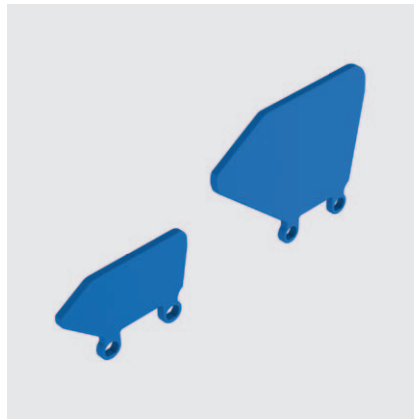
Straight running belt | Pitch 25 mm (0.98 in)

## S2 SG | Side guards

For retention of bulk products

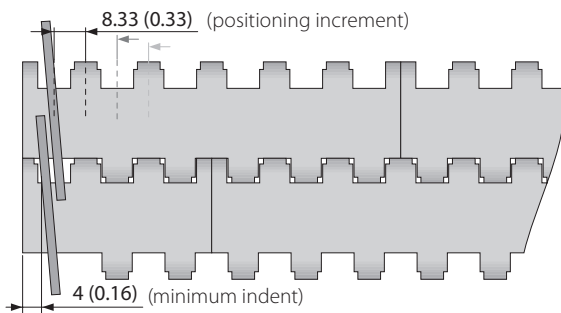


Recommended running direction



### Basic data

Material	Color	Height (h)	
		25 mm 1 inch	50 mm 2 inch
PE	BL	●	●
PE	WT	●	●
PP	BL	●	●
PP	WT	●	●



■ BL (Blue), □ WT (White)

All measurements and tolerances apply at 21 °C; for temperature deviations please see ProLink manual chapter 4.4 "Temperature influence".

All imperial dimensions (inches) are rounded off.

Note: Use of accessory in a belt may impact on the minimum design radii. Please see chapter 6.3 for further information.



MOVEMENT SYSTEMS

# LEGEND

## ① Series

S1 ... S15

## ② Open area/Sprocket size

Percentage open area

Format: xx

E.g. 20 = 20%

For sprockets: number of teeth

Format: "Z"xx

E.g. Z12 = 12 teeth

## ③ Surface pattern

**BSL** Base module for slider

**CTP** Cone top

**CUT** Curved top

**FLT** Flat top (smooth)

**FRT-OG** Friction top without High Grip insert

**FRT(X)** Friction top (Design X)

**GRT** Grid top

**LRB** Lateral rib

**MOD** Modified module shape

**NCL** No cling

**NPY** Negative pyramid

**NSK** Non skid

**NTP** Nub top (round studs)

**RAT** Radius top

**RRB** Raised rib

**RSA** Reduced surface area

**RTP** Roller top

**SRS** Slip-resistant surface

## ④ Type

**A90** Angle 90° to conveying direction

**BPU** Bucket profile

**CCW** Counter clockwise

**CLP** Clip

**CM** Center module

**CW** Clockwise

**FPL** Finger plate

**IDL** Idler

**PIN** Coupling rod

**PMC** Profile module center

**PMU** Profile module universal

**PMU lxx** Profile module universal with indent xx = indent in mm

**RI** High Grip insert

**RTR** Retaining ring

**SG** Module with sideguard

**SLI** Slider

**SML** Side module, left

**SMR** Side module, right

**SMU** Side module, universal/both sides

**SPR** Sprocket

**TPL** Turning panel, left

**TPR** Turning panel, right

**UM** Universal module

## ⑤ Style

**BT** Bearing tab

**DR** Double row sprocket

**F1, F2, F3 ...** Collapse factor modules

**G** Guided

**GT** Guiding tabs

**HD** Hold Down

**RG** Reversed guided

**SG** Side guard

**SP** Split sprocket

**ST** Strong

## ⑥ Material

**PA** Polyamide

**PA-HT** Polyamide high temperature

**PBT** Polybutylentere-phthalate

**PE** Polyethylene

**PE-MD** PE metal detectable

**POM** Polyoxymethylene (Polyacetal)

**POM-CR** POM cut resistant

**POM-HC** POM highly conductive

**POM-MD** POM metal detectable

**POM-PE** POM side modules + PE center modules

**POM-PP** POM side modules + PP center modules

**PP** Polypropylene

**PXX-HC** Self-extinguishing highly conductive material

**R1** TPE 80 Shore A, PP

**R2** EPDM 80 Shore A, vulcanized

**R3** TPE 70 Shore A, POM

**R4** TPE 86 Shore A, PP

**R5** TPE 52 Shore A, PP

**R6** TPE 63 Shore A, POM

**R7** TPE 50 Shore A, PP

**R8** TPE 55 Shore A, PE

**SER** Self-extinguishing TPE

**SS** Stainless steel

**TPC1** Thermoplastic Copolyester

**-HA** Supports the HACCP concept

**-HW** High Wear resistant material

## ⑦ Color\*

**AT** Anthracite

**BG** Beige

**BK** Black

**BL** Blue

**DB** Dark blue

**GN** Green

**LB** Light blue

**LG** Light gray

**OR** Orange

**RE** Red

**TQ** Turquoise

**TR** Transparent

**UC** Uncolored

**WT** White

**YL** Yellow

## ⑧ Height/Diameter/ Bore size and style

Height in mm (in)

Format: Hxxx

Pin diameter in mm (in)

Format: Dxxx

Bore size: SQ (= square)

or RD (= round)

either in mm or inches

Format: SQxxxMM or RDxxxIN

## ⑨ Length/Width

Pins Length in mm (in)

Format: Lxxx

Module width in mm (in)

Format: Wxxx

\* For each series' standard colors please refer to the table of materials for each belt (chapter 1.2). A number of other colors are available on request. Colors can vary from the original due to the print, production processes or material used.