

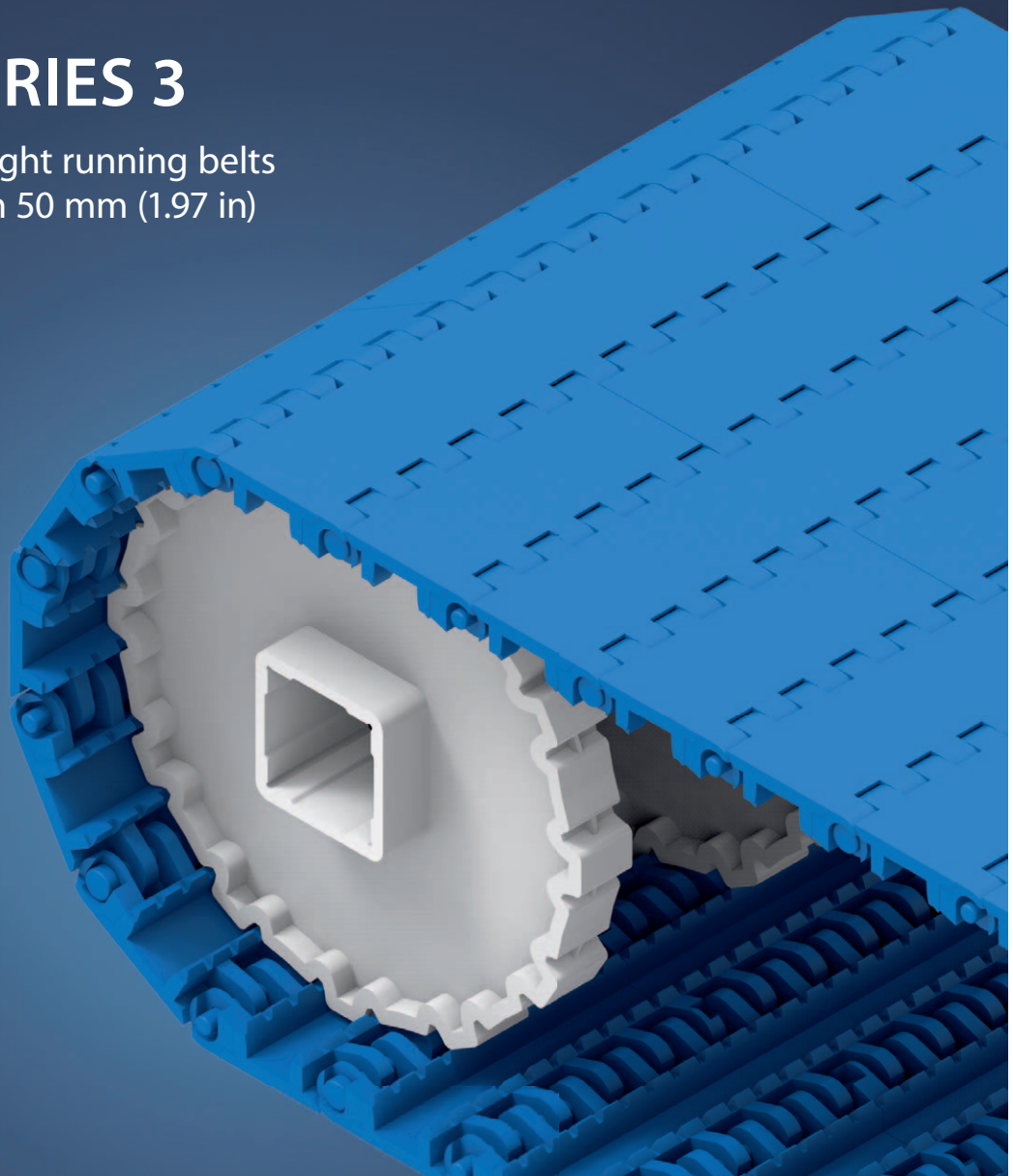
EXCERPT FROM PROLINK ENGINEERING MANUAL

01/20 (Ref-No. 888)

siegling prolink
modular belts

SERIES 3

Straight running belts
Pitch 50 mm (1.97 in)



Forbo Siegling GmbH
Lilienthalstraße 6/8, D-30179 Hannover
Phone +49 511 6704 0
www.forbo-siegling.com, siegling@forbo.com

Ref. no. 888-2_1.2_S3

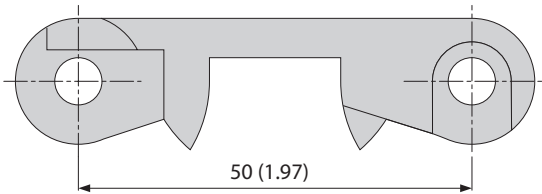
SERIES 3 | OVERVIEW

siegling prolink
modular belts

Straight running belts | Pitch 50 mm (1.97 in)

Belts for medium-duty food applications

Side view scale 1:1



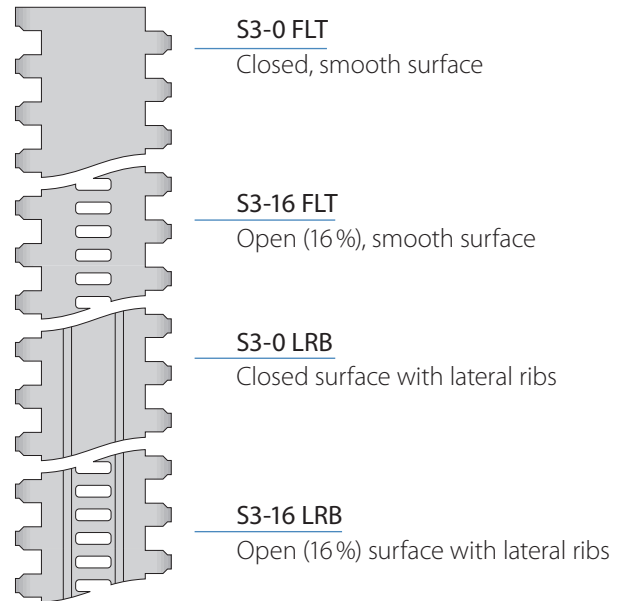
Design characteristics

- Hinges that open wide, combined with smooth, flat channels on the underside provides an easy-to-clean belt design
- Open edge design for unhindered drainage

Basic data

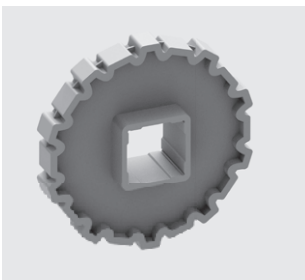
Pitch	50 mm (1.97 in)
Belt width min.	40 mm (1.6 in)
Width increments	20 mm (0.8 in)
Hinge pins	Made of plastic (PE, PP, PBT), as a special type made also in blue or stainless steel

Available surface pattern and opening area



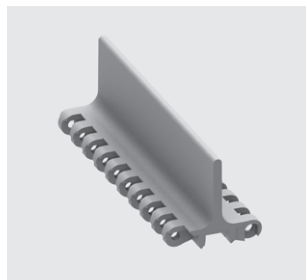
Sprockets

in different sizes with round or square sprocket bore



Profiles

in different heights and designs for inclines



Side guards

in different heights for retention of bulk products



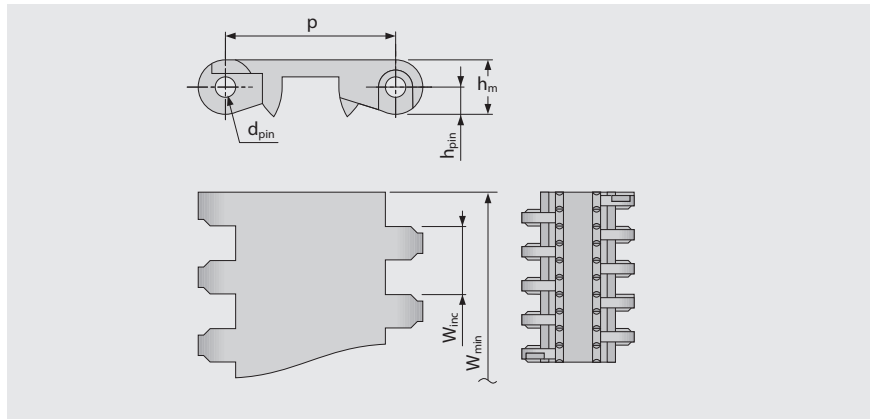
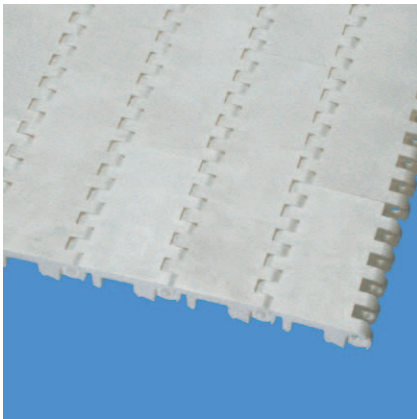
SERIES 3 | BELT TYPES

siegling prolink
modular belts

Straight running belt | Pitch 50 mm (1.97 in)

S3-0 FLT | 0% Opening | Flat top

Closed, smooth surface | Flat top surface



Belt dimensions

	p	d _{pin}	h _m	h _{pin}	h _s	W _{min}	W _{inc}	W _{tol}	Minimum flex radii ¹⁾				
	Pitch	Pin Ø	Thickness [mm]	Pin position [mm]	Height [mm]	Width min. [mm]	Width Increment [mm]	Width tolerance [%]	r1	r2	r3	r4	r5
mm	50.0	6.0	16.0	8.0	0.0	40.0	20.0	±0.2	–	50.0	100.0	150.0	50.0
inch	1.97	0.24	0.63	0.31	0.0	1.57	0.79	±0.2	–	1.97	3.94	5.91	1.97

Available standard materials⁴⁾

Belt		Pin		Nominal belt pull, straight		Weight		Width deviation [%]	Temperature		Certificates	
Material	Color	Material	Color	[N/mm]	[lb/ft]	[kg/m ²]	[lb/ft ²]		[°C]	[°F]	FDA ²⁾	EU ³⁾
PE	WT	PE	UC	6	411	7.5	1.54	-0.2	-70/65	-94/149	●	●
PP	WT	PP	WT	12	822	7.1	1.45	0.5	5/100	41/212	●	●
PP	BL	PP	WT	12	822	7.1	1.45	0.5	5/100	41/212	●	●

Mold to order belts

POM	WT	PBT	UC	16	1096	10.1	2.07	-0.3	-45/90	-49/194	●	●
-----	----	-----	----	----	------	------	------	------	--------	---------	---	---

Mold to width available in: 40 mm (1.57 in), 100 mm (3.94 in), 200 mm (7.87 in)

■ BL (Blue), □ UC (Uncolored), □ WT (White)

All measurements and tolerances apply at 21 °C; for temperature deviations please see Prolink manual chapter 4.4 "Temperature influence".

All imperial dimensions (inches) are rounded off.

¹⁾ Flex radii: r1 = side flex, r2 = front flex on roller, r3 = back flex on load bearing roller, r4 = back flex on Hold Down shoe, r5 = back flex on roller

²⁾ Complies with FDA 21 CFR

³⁾ Complies with (EU) 10/2011 and (EC) 1935/2004 regulations regarding the raw materials used and the migration thresholds

⁴⁾ More materials and colors on request



MOVEMENT SYSTEMS

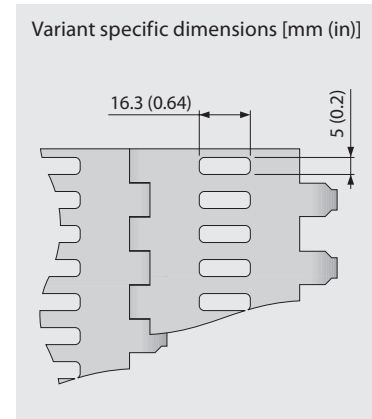
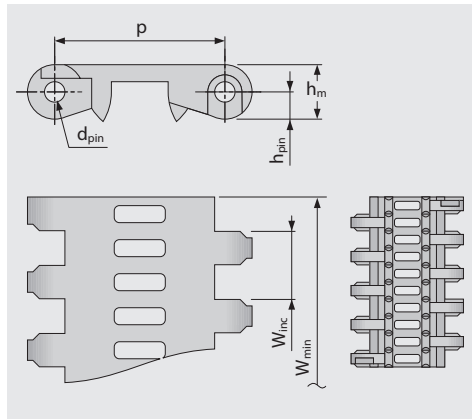
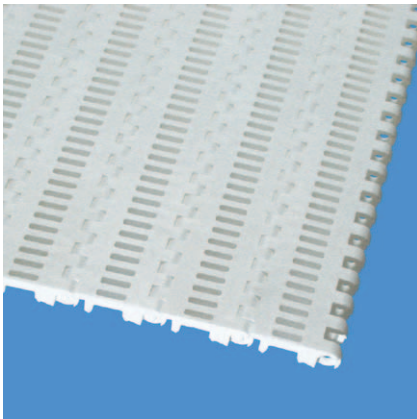
SERIES 3 | BELT TYPES

siegling prolink
modular belts

Straight running belt | Pitch 50 mm (1.97 in)

S3-16 FLT | 16% Opening | Flat top

Open version (16%) for excellent air circulation and drainage | Contact area 77% (Largest opening: 5 x 16.3 mm/0.2 x 0.64 in) | Smooth surface



Belt dimensions

	p	d _{pin}	h _m	h _{pin}	h _s	W _{min}	W _{inc}	W _{tol}	Minimum flex radii ¹⁾				
	Pitch	Pin Ø	Thickness [mm]	Pin position [mm]	Height [mm]	Width min. [mm]	Width Increment [mm]	Width tolerance [%]	r1	r2	r3	r4	r5
mm	50.0	6.0	16.0	8.0	0.0	40.0	20.0	±0.2	–	50.0	100.0	150.0	50.0
inch	1.97	0.24	0.63	0.31	0.0	1.57	0.79	±0.2	–	1.97	3.94	5.91	1.97

Available standard materials⁴⁾

Belt		Pin		Nominal belt pull, straight		Weight		Width deviation	Temperature		Certificates	
Material	Color	Material	Color	[N/mm]	[lb/ft]	[kg/m ²]	[lb/ft ²]	[%]	[°C]	[°F]	FDA ²⁾	EU ³⁾
PE	WT	PE	UC	6	411	7.3	1.5	-0.2	-70/65	-94/149	●	●
PP	WT	PP	WT	12	822	6.5	1.33	0.05	5/100	41/212	●	●

Mold to order belts

POM	WT	PBT	UC	16	1096	9.5	1.95	-0.3	-45/90	-49/194	●	●
-----	----	-----	----	----	------	-----	------	------	--------	---------	---	---

Mold to width available in: 40 mm (1.57 in), 100 mm (3.94 in), 200 mm (7.87 in)

UC (Uncolored), WT (White)

All measurements and tolerances apply at 21 °C; for temperature deviations please see ProLink manual chapter 4.4 "Temperature influence".

All imperial dimensions (inches) are rounded off.

¹⁾ Flex radii: r1 = side flex, r2 = front flex on roller, r3 = back flex on load bearing roller, r4 = back flex on Hold Down shoe, r5 = back flex on roller

²⁾ Complies with FDA 21 CFR

³⁾ Complies with (EU) 10/2011 and (EC) 1935/2004 regulations regarding the raw materials used and the migration thresholds

⁴⁾ More materials and colors on request



MOVEMENT SYSTEMS

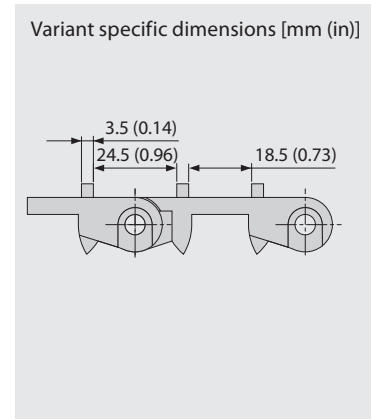
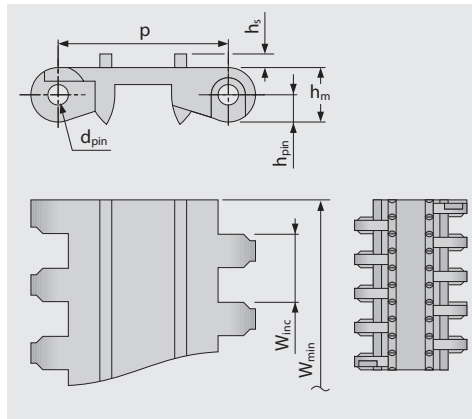
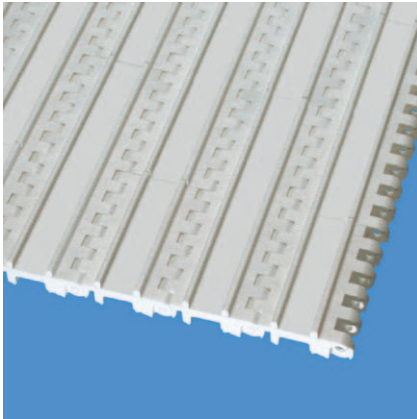
SERIES 3 | BELT TYPES

siegling prolink
modular belts

Straight running belt | Pitch 50 mm (1.97 in)

S3-0 LRB | 0% Opening | Lateral rib

Closed surface | Lateral ribs for better grip in small inclines and gentle conveying of delicate products | Contact area 14%



Belt dimensions

	p	d _{pin}	h _m	h _{pin}	h _s	W _{min}	W _{inc}	W _{tol}	Minimum flex radii ¹⁾				
	Pitch	Pin Ø	Thickness [mm]	Pin position [mm]	Height [mm]	Width min. [mm]	Width Increment [mm]	Width tolerance [%]	r1	r2	r3	r4	r5
mm	50.0	6.0	16.0	8.0	4.0	40.0	20.0	±0.2	–	50.0	100.0	150.0	50.0
inch	1.97	0.24	0.63	0.31	0.16	1.57	0.79	±0.2	–	1.97	3.94	5.91	1.97

Mold to order belts⁴⁾

Belt		Pin		Nominal belt pull, straight		Weight		Width deviation [%]	Temperature		Certificates	
Material	Color	Material	Color	[N/mm]	[lb/ft]	[kg/m ²]	[lb/ft ²]		[°C]	[°F]	FDA ²⁾	EU ³⁾
POM	WT	PBT	UC	16	1096	10.3	2.11	-0.3	-45/90	-49/194	●	●
PE	WT	PE	UC	6	411	7.6	1.56	-0.2	-70/65	-94/149	●	●

Mold to width available in: 200 mm (7.87 in)

UC (Uncolored), WT (White)

All measurements and tolerances apply at 21 °C; for temperature deviations please see Prolink manual chapter 4.4 "Temperature influence".

All imperial dimensions (inches) are rounded off.

¹⁾ Flex radii: r1 = side flex, r2 = front flex on roller, r3 = back flex on load bearing roller, r4 = back flex on Hold Down shoe, r5 = back flex on roller

²⁾ Complies with FDA 21 CFR

³⁾ Complies with (EU) 10/2011 and (EC) 1935/2004 regulations regarding the raw materials used and the migration thresholds

⁴⁾ More materials and colors on request



MOVEMENT SYSTEMS

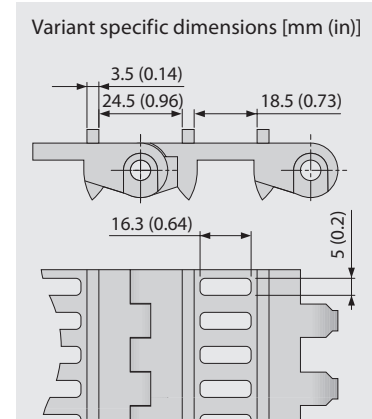
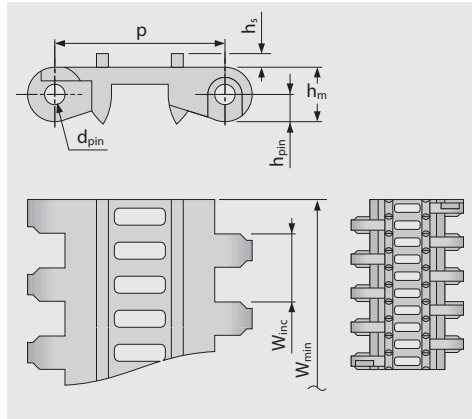
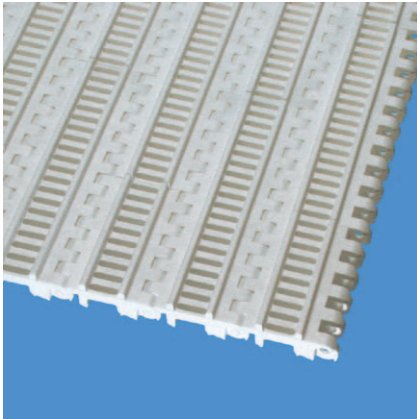
SERIES 3 | BELT TYPES

siegling prolink
modular belts

Straight running belt | Pitch 50 mm (1.97 in)

S3-16 LRB | 16% Opening | Lateral rib

Open lateral rib version (16%) for excellent air circulation and drainage | Lateral ribbing for better grip in inclined conveying | Contact area 14% (Largest opening: 5 x 16.3 mm/0.2 x 0.64 in)



Belt dimensions

	p	d _{pin}	h _m	h _{pin}	h _s	W _{min}	W _{inc}	W _{tol}	Minimum flex radii ¹⁾				
	Pitch	Pin Ø	Thickness [mm]	Pin position [mm]	Height [mm]	Width min. [mm]	Width Increment [mm]	Width tolerance [%]	r1	r2	r3	r4	r5
mm	50.0	6.0	16.0	8.0	4.0	40.0	20.0	±0.2	–	50.0	100.0	150.0	50.0
inch	1.97	0.24	0.63	0.31	0.16	1.57	0.79	±0.2	–	1.97	3.94	5.91	1.97

Mold to order belts⁴⁾

Belt		Pin		Nominal belt pull, straight		Weight		Width deviation	Temperature		Certificates	
Material	Color	Material	Color	[N/mm]	[lb/ft]	[kg/m ²]	[lb/ft ²]	[%]	[°C]	[°F]	FDA ²⁾	EU ³⁾
PP	WT	PP	WT	12	822	6.6	1.35	0.05	5/100	41/212	●	●
PE	WT	PE	UC	6	411	7.4	1.52	-0.2	-70/65	-94/149	●	●

Mold to width available in: 200 mm (7.87 in)

UC (Uncolored), WT (White)

All measurements and tolerances apply at 21 °C; for temperature deviations please see ProLink manual chapter 4.4 "Temperature influence".

All imperial dimensions (inches) are rounded off.

¹⁾ Flex radii: r1 = side flex, r2 = front flex on roller, r3 = back flex on load bearing roller, r4 = back flex on Hold Down shoe, r5 = back flex on roller

²⁾ Complies with FDA 21 CFR

³⁾ Complies with (EU) 10/2011 and (EC) 1935/2004 regulations regarding the raw materials used and the migration thresholds

⁴⁾ More materials and colors on request



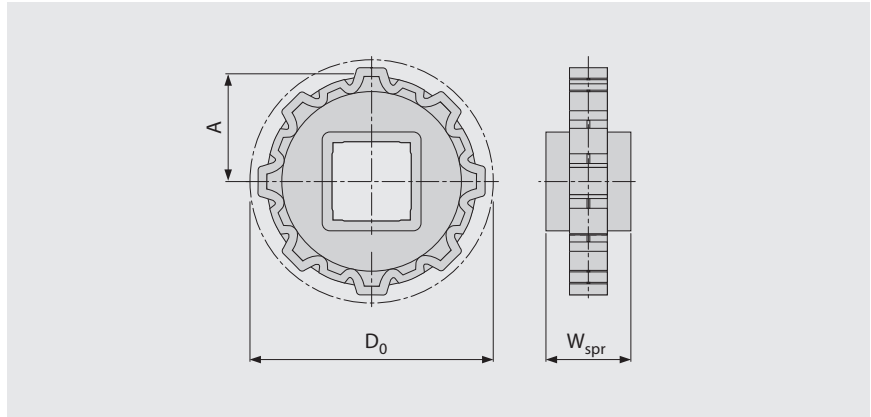
MOVEMENT SYSTEMS

SERIES 3 | SPROCKETS

siegling prolink
modular belts

Straight running belt | Pitch 50 mm (1.97 in)

S3 SPR | Sprockets



Main dimensions

Sprocket size (Number of teeth)		Z6	Z8	Z10	Z12	Z16
W _{spr}	mm	40.0	40.0	40.0	40.0	40.0
	inch	1.57	1.57	1.57	1.57	1.57
D ₀	mm	100.0	130.8	161.8	193.2	256.3
	inch	3.94	5.15	6.37	7.61	10.09
A _{max}	mm	42.0	57.4	72.9	88.6	120.1
	inch	1.65	2.26	2.87	3.49	4.73
A _{min}	mm	36.4	53.0	69.3	85.6	117.8
	inch	1.43	2.09	2.73	3.37	4.64

Shaft bores (● = Round, ■ = Square)

25	mm			●		
30	mm	●	●	●		
40	mm	■	■	■	■	■
60	mm		■	■	■	■
80	mm				■	■
1	inch	●	●	●		
1.5	inch	■	■	■	■	
2.5	inch				■	■

Material: POM, Color: UC

□ UC (Uncolored)

All measurements and tolerances apply at 21 °C; for temperature deviations please see Prolink manual chapter 4.4 "Temperature influence".

All imperial dimensions (inches) are rounded off.

For detailed sprocket and shaft dimensions see appendix 6.3.



MOVEMENT SYSTEMS

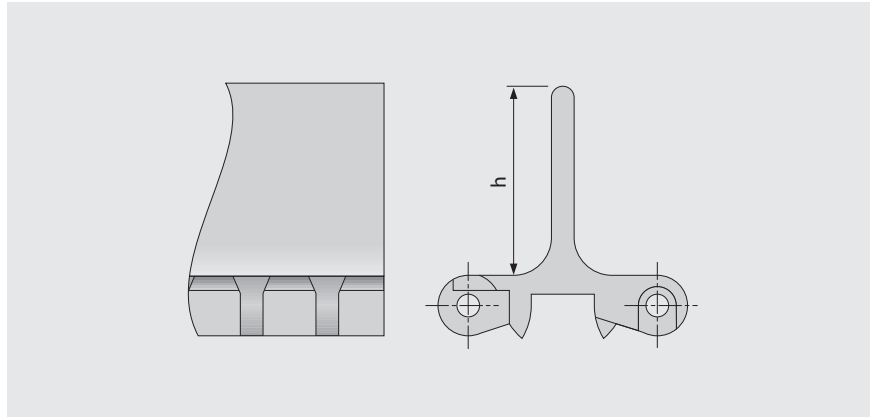
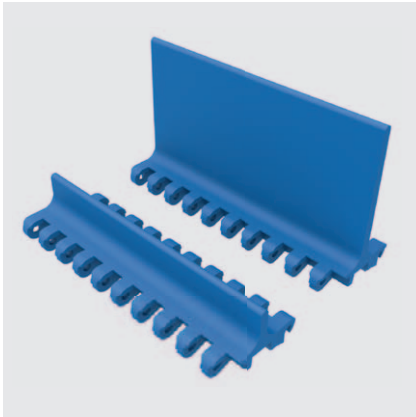
SERIES 3 | PROFILES

siegling prolink
modular belts

Straight running belt | Pitch 50 mm (1.97 in)

S3-0 FLT PMU

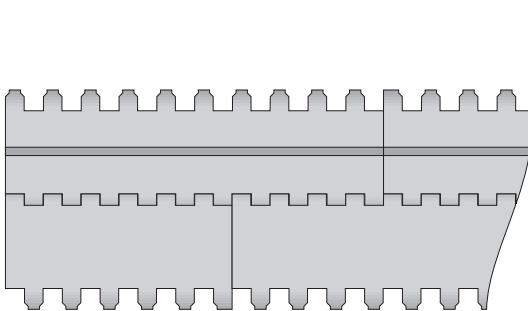
Flat top surface for dry products



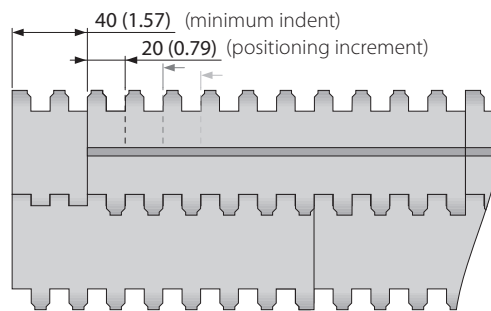
Basic data

Material	Color	Height (h)			
		25 mm 1 inch	50 mm 2 inch	75 mm 3 inch	100 mm 4 inch
PE	WT	●	●	●	●
PP	BL	●	●	●	●
PP	WT	●	●	●	●

Molded width: 200 mm (7.9 in)



Standard configuration S3-0 FLT PMU



Indent configuration S3-0 FLT PMU

■ BL (Blue), □ WT (White)

All measurements and tolerances apply at 21 °C; for temperature deviations please see Prolink manual chapter 4.4 "Temperature influence".

All imperial dimensions (inches) are rounded off.

Note: Use of accessory in a belt may impact on the minimum design radii. Please see chapter 6.3 for further information.



MOVEMENT SYSTEMS

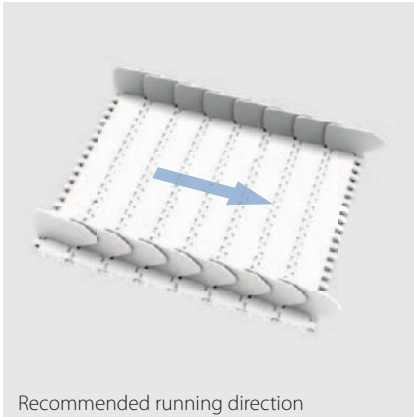
SERIES 3 | SIDE GUARDS

siegling prolink
modular belts

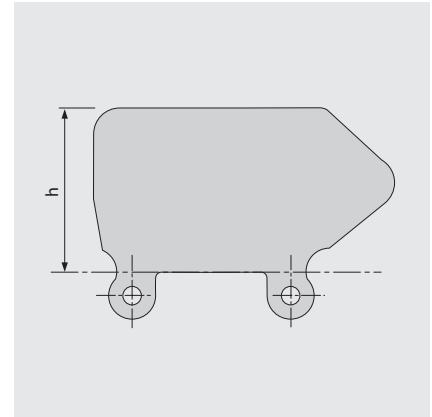
Straight running belt | Pitch 50 mm (1.97 in)

S3 SG | Side guards

For retention of bulk products

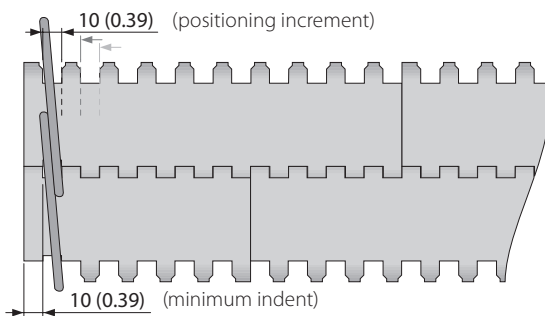


Recommended running direction



Basic data

Material	Color	Height (h)			
		25 mm 1 inch	50 mm 2 inch	75 mm 3 inch	100 mm 4 inch
PE	LB	●	●	●	●
PE	WT	●	●	●	●
PE-MD	BL		●	●	●
PP	LB	●	●	●	●
PP	WT	●	●	●	●



■ BL (Blue), ■ LB (Light blue), □ WT (White)

All measurements and tolerances apply at 21 °C; for temperature deviations please see Prolink manual chapter 4.4 "Temperature influence".

All imperial dimensions (inches) are rounded off.

Note: Use of accessory in a belt may impact on the minimum design radii. Please see chapter 6.3 for further information.



MOVEMENT SYSTEMS

LEGEND

① Series

S1 ... S15

② Open area/Sprocket size

Percentage open area

Format: xx

E.g. 20 = 20%

For sprockets: number of teeth

Format: "Z"xx

E.g. Z12 = 12 teeth

③ Surface pattern

BSL Base module for slider

CTP Cone top

CUT Curved top

FLT Flat top (smooth)

FRT-OG Friction top without High Grip insert

FRT(X) Friction top (Design X)

GRT Grid top

LRB Lateral rib

MOD Modified module shape

NCL No cling

NPY Negative pyramid

NSK Non skid

NTP Nub top (round studs)

RAT Radius top

RRB Raised rib

RSA Reduced surface area

RTP Roller top

SRS Slip-resistant surface

④ Type

A90 Angle 90° to conveying direction

BPU Bucket profile

CCW Counter clockwise

CLP Clip

CM Center module

CW Clockwise

FPL Finger plate

IDL Idler

PIN Coupling rod

PMC Profile module center

PMU Profile module universal

PMU lxx Profile module universal with indent xx = indent in mm

RI High Grip insert

RTR Retaining ring

SG Module with sideguard

SLI Slider

SML Side module, left

SMR Side module, right

SMU Side module, universal/both sides

SPR Sprocket

TPL Turning panel, left

TPR Turning panel, right

UM Universal module

⑤ Style

BT Bearing tab

DR Double row sprocket

F1, F2, F3 ... Collapse factor modules

G Guided

GT Guiding tabs

HD Hold Down

RG Reversed guided

SG Side guard

SP Split sprocket

ST Strong

⑥ Material

PA Polyamide

PA-HT Polyamide high temperature

PBT Polybutylentere-phthalate

PE Polyethylene

PE-MD PE metal detectable

POM Polyoxymethylene (Polyacetal)

POM-CR POM cut resistant

POM-HC POM highly conductive

POM-MD POM metal detectable

POM-PE POM side modules + PE center modules

POM-PP POM side modules + PP center modules

PP Polypropylene

PXX-HC Self-extinguishing highly conductive material

R1 TPE 80 Shore A, PP

R2 EPDM 80 Shore A, vulcanized

R3 TPE 70 Shore A, POM

R4 TPE 86 Shore A, PP

R5 TPE 52 Shore A, PP

R6 TPE 63 Shore A, POM

R7 TPE 50 Shore A, PP

R8 TPE 55 Shore A, PE

SER Self-extinguishing TPE

SS Stainless steel

TPC1 Thermoplastic Copolyester

-HA Supports the HACCP concept

-HW High Wear resistant material

⑦ Color*

AT Anthracite

BG Beige

BK Black

BL Blue

DB Dark blue

GN Green

LB Light blue

LG Light gray

OR Orange

RE Red

TQ Turquoise

TR Transparent

UC Uncolored

WT White

YL Yellow

⑧ Height/Diameter/ Bore size and style

Height in mm (in)

Format: Hxxx

Pin diameter in mm (in)

Format: Dxxx

Bore size: SQ (= square)

or RD (= round)

either in mm or inches

Format: SQxxxMM or RDxxxIN

⑨ Length/Width

Pins Length in mm (in)

Format: Lxxx

Module width in mm (in)

Format: Wxxx

* For each series' standard colors please refer to the table of materials for each belt (chapter 1.2). A number of other colors are available on request. Colors can vary from the original due to the print, production processes or material used.