

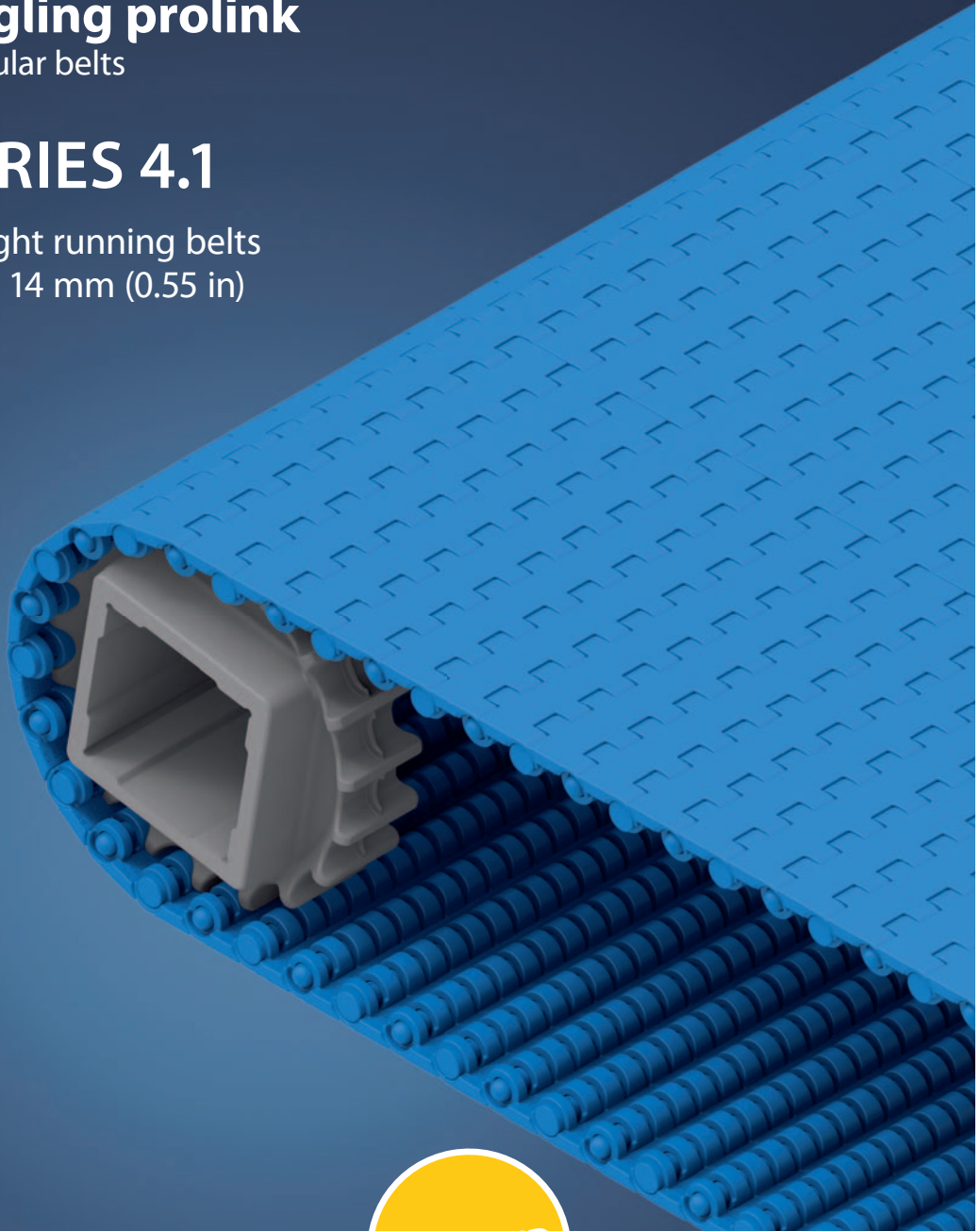
# EXCERPT FROM PROLINK ENGINEERING MANUAL

02/22 (Ref-No. 888)

**siegling prolink**  
modular belts

## SERIES 4.1

Straight running belts  
Pitch 14 mm (0.55 in)



**PATENTED**

**Forbo Siegling GmbH**  
Lilienthalstraße 6/8, D-30179 Hannover  
Phone +49 511 6704 0  
[www.forbo-siegling.com](http://www.forbo-siegling.com), [siegling@forbo.com](mailto:siegling@forbo.com)

Ref. no. 888-2\_1.2\_S4.1

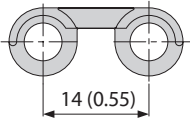
# SERIES 4.1 | OVERVIEW

siegling prolink  
modular belts

Straight running belts | Pitch 14 mm (0.55 in)

Belts for light to medium-duty food and non-food applications

## Side view scale 1:1



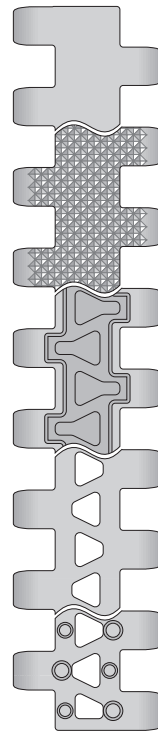
## Design characteristics

- Small pitch belt for applications requiring small transfer gaps
- Hinges that open wide and flat channels on the underside ensure the belt is easy to clean
- Unique sprocket design with rounded tooth edges provides ideal load distribution
- Wide sprocket teeth ensure superior sprocket engagement and strength

## Basic data

Pitch	14 mm (0.55 in)
Belt width min.	25 mm (0.98)
Width increments	12.5 mm (0.5 in)
Hinge pins	5 mm (0.2 in) made of plastic (PBT, PP, PE, POM-MD). One-piece up to a belt width of 1200 mm (47 in).

## Available surface pattern and opening area



### S4.1-0 FLT

Closed, smooth surface

### S4.1-0 NPY

Closed surface with negative pyramid pattern

### S4.1-0 FRT1

Closed surface with friction top

### S4.1-21 FLT

Open (21%), smooth surface

### S4.1-21 NTP

Open (21%) surface with round studs. Version available without round studs at the side (25 mm indent)



Certified

NSF-compliant from these certified Forbo plants: Huntersville (USA), Maharashtra (India), Malacky (Slovakia), NSW (Australia), Pinghu (China), Shizuoka (Japan), Tlalnepantla (Mexico)

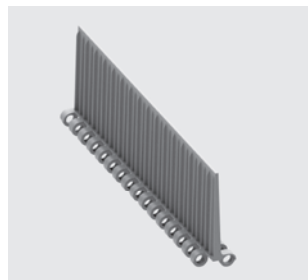
## Sprockets

in different sizes with round or square sprocket bore



## Profiles

in different heights and designs for inclines



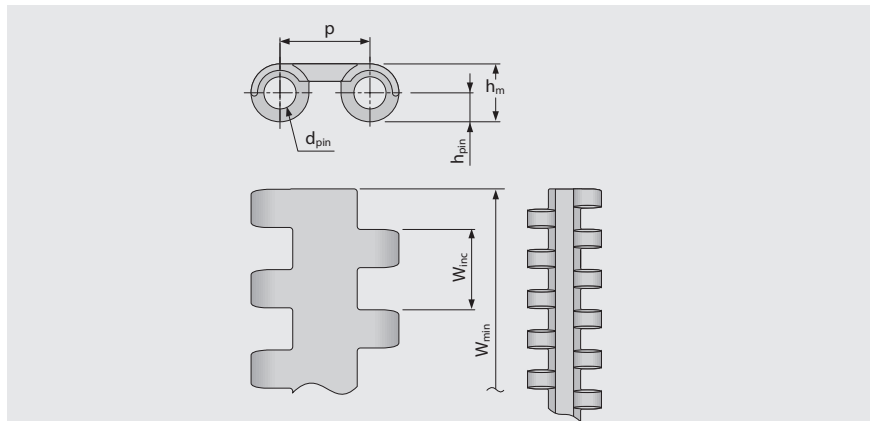
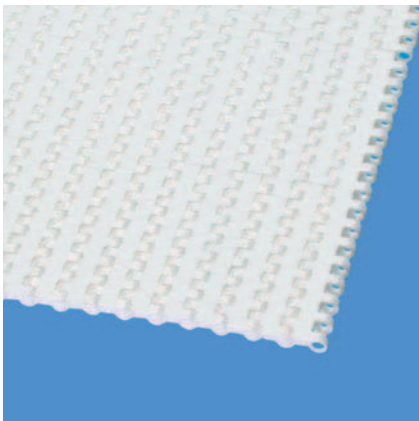
# SERIES 4.1 | BELT TYPES

sieging prolink  
modular belts

Straight running belt | Pitch 14 mm (0.55 in)

## S4.1-0 FLT | 0% Opening | Flat top

Closed, smooth surface | Flat top surface



### Belt dimensions

	p	d <sub>pin</sub>	h <sub>m</sub>	h <sub>pin</sub>	h <sub>s</sub>	W <sub>min</sub>	W <sub>inc</sub>	W <sub>tol</sub>	Minimum flex radii <sup>1)</sup>				
	Pitch	Pin Ø	Thickness [mm]	Pin position [mm]	Height [mm]	Width min. [mm]	Width Increment [mm]	Width tolerance [%]	r1 C <sub>c</sub> x W <sub>B</sub>	r2	r3	r4	r5
mm	14.0	5.0	9.0	4.5	0.0	25.0	12.5	±0.2	–	11.0	25.0	38.0	12.5
inch	0.55	0.2	0.35	0.18	0.0	0.98	0.49	±0.2	–	0.43	0.98	1.5	0.49

### Available standard materials<sup>4)</sup>

Belt		Pin		Nominal belt pull, straight		Weight		Width deviation	Temperature		Certificates	
Material	Color	Material	Color	[N/mm]	[lb/ft]	[kg/m <sup>2</sup> ]	[lb/ft <sup>2</sup> ]	[%]	[°C]	[°F]	FDA <sup>2)</sup>	EU <sup>3)</sup>
PE	WT	PE	UC	3	206	5.1	1.04	-0.1	-70/65	-94/149	●	●
PE	UC	PBT	UC	3	206	5.1	1.04	-0.1	-70/65	-94/149	●	●
PE	BL	PE	UC	3	206	5.1	1.04	-0.1	-70/65	-94/149	●	●
POM	BL	PBT	BL	10	685	7.1	1.45	0.0	-45/90	-49/194	●	●
POM	WT	PBT	UC	10	685	7.1	1.45	0.0	-45/90	-49/194	●	●
PP	BL	PP	BL	5	343	4.6	0.94	0.25	5/100	41/212	●	●
PP	WT	PP	WT	5	343	4.6	0.94	0.25	5/100	41/212	●	●
POM-MD	BL	POM-MD	BL	10	685	7.5	1.54	0.0	-45/90	-49/194	●	●

#### Mold to order belts

PXX-HC	BK	PBT	UC	5	343	5.1	1.04	0.25	5/100	41/212	–	–
--------	----	-----	----	---	-----	-----	------	------	-------	--------	---	---

Mold to width available in: 38 mm (1.5 in), 50 mm (1.97 in), 100 mm (3.94 in), 125 mm (4.92 in)

■ BL (Blue), ■ BK (Black), □ UC (Uncolored), □ WT (White)

All measurements and tolerances apply at 21 °C; for temperature deviations please see Prolink manual chapter 4.4 "Temperature influence".

All imperial dimensions (inches) are rounded off.

<sup>1)</sup> Flex radii: r1 = side flex, r2 = front flex on roller, r3 = back flex on load bearing roller, r4 = back flex on Hold Down shoe, r5 = back flex on roller

<sup>2)</sup> Complies with FDA 21 CFR

<sup>3)</sup> Complies with (EU) 10/2011 and (EC) 1935/2004 regulations regarding the raw materials used and the migration thresholds

<sup>4)</sup> More materials and colors on request



MOVEMENT SYSTEMS

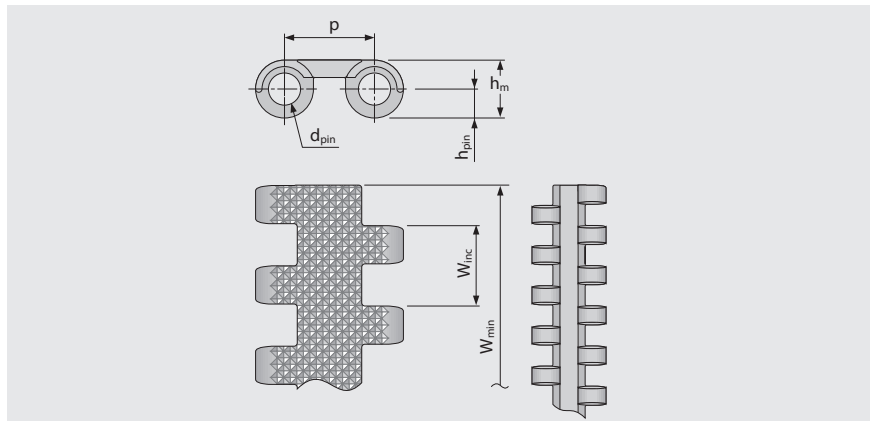
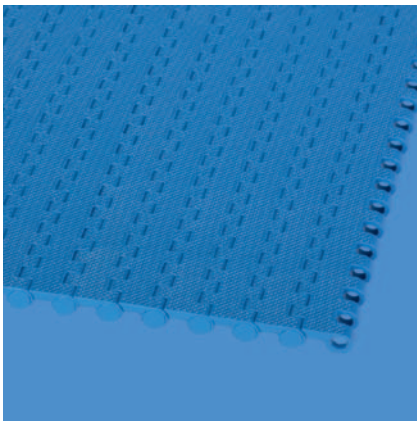
# SERIES 4.1 | BELT TYPES

siegling prolink  
modular belts

Straight running belt | Pitch 14 mm (0.55 in)

## S4.1-0 NPY | 0% Opening | Negative pyramid

Closed surface | Negative pyramid pattern for superb release characteristics when conveying wet or sticky products



### Belt dimensions

	p	d <sub>pin</sub>	h <sub>m</sub>	h <sub>pin</sub>	h <sub>s</sub>	W <sub>min</sub>	W <sub>inc</sub>	W <sub>tol</sub>	Minimum flex radii <sup>1)</sup>				
	Pitch	Pin Ø	Thickness [mm]	Pin position [mm]	Height [mm]	Width min. [mm]	Width Increment [mm]	Width tolerance [%]	r1 C <sub>c</sub> x W <sub>B</sub>	r2	r3	r4	r5
mm	14.0	5.0	9.0	4.5	0.0	25.0	12.5	±0.2	–	11.0	25.0	38.0	12.5
inch	0.55	0.2	0.35	0.18	0.0	0.98	0.49	±0.2	–	0.43	0.98	1.5	0.49

### Available standard materials<sup>4)</sup>

Belt		Pin		Nominal belt pull, straight		Weight		Width deviation	Temperature		Certificates	
Material	Color	Material	Color	[N/mm]	[lb/ft]	[kg/m <sup>2</sup> ]	[lb/ft <sup>2</sup> ]	[%]	[°C]	[°F]	FDA <sup>2)</sup>	EU <sup>3)</sup>
PE	BL	PE	UC	3	206	5.1	1.04	-0.1	-70/65	-94/149	●	●
POM	BL	PBT	BL	10	685	7.1	1.45	0.0	-45/90	-49/194	●	●
PP	BL	PP	BL	5	343	4.6	0.94	0.25	5/100	41/212	●	●

Mold to width available in: 200 mm (7.87 in)

■ BL (Blue), □ UC (Uncolored)

All measurements and tolerances apply at 21 °C; for temperature deviations please see Prolink manual chapter 4.4 "Temperature influence".

All imperial dimensions (inches) are rounded off.

<sup>1)</sup> Flex radii: r1 = side flex, r2 = front flex on roller, r3 = back flex on load bearing roller, r4 = back flex on Hold Down shoe, r5 = back flex on roller

<sup>2)</sup> Complies with FDA 21 CFR

<sup>3)</sup> Complies with (EU) 10/2011 and (EC) 1935/2004 regulations regarding the raw materials used and the migration thresholds

<sup>4)</sup> More materials and colors on request



MOVEMENT SYSTEMS

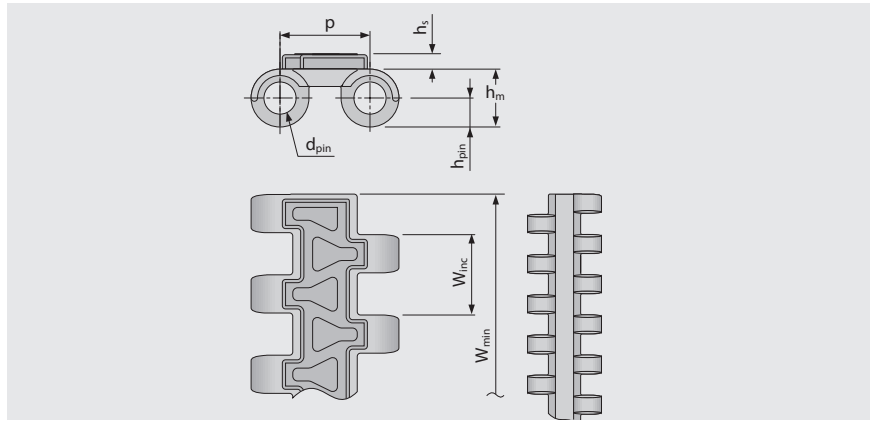
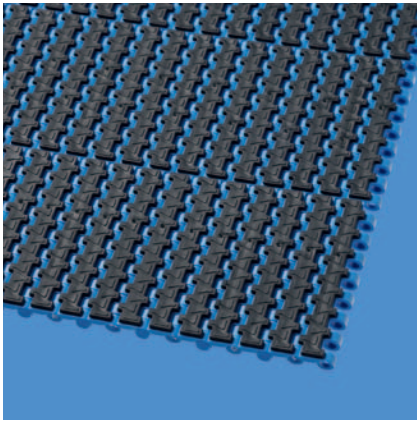
# SERIES 4.1 | BELT TYPES

siegling prolink  
modular belts

Straight running belt | Pitch 14 mm (0.55 in)

## S4.1-0 FRT1 | 0% Opening | Friction top (Design 1)

Closed surface | Friction top with slightly elevated triangular shapes to reduce contact area/increase contact pressure to optimise grip and to channel dirt away from the friction surface



### Belt dimensions

	p	d <sub>pin</sub>	h <sub>m</sub>	h <sub>pin</sub>	h <sub>s</sub>	W <sub>min</sub>	W <sub>inc</sub>	W <sub>tol</sub>	Minimum flex radii <sup>1)</sup>				
	Pitch	Pin Ø	Thickness [mm]	Pin position [mm]	Height [mm]	Width min. [mm]	Width Increment [mm]	Width tolerance [%]	r1 C <sub>c</sub> x W <sub>B</sub>	r2	r3	r4	r5
mm	14.0	5.0	9.0	4.5	2.4	50.0	12.5	±0.2	–	11.0	25.0	38.0	16.5
inch	0.55	0.2	0.35	0.18	0.09	1.97	0.49	±0.2	–	0.43	0.98	1.5	0.65

### Available standard materials<sup>4)</sup>

Belt		Pin		Rubber		Nominal belt pull, straight		Weight		Width deviation	Temperature		Certificates	
Material	Color	Material	Color	Material	Color	[N/mm]	[lb/ft]	[kg/m <sup>2</sup> ]	[lb/ft <sup>2</sup> ]	[%]	[°C]	[°F]	FDA <sup>2)</sup>	EU <sup>3)</sup>
PE	WT	PE	UC	R8	BG	3	206	6.8	1.39	-0.1	-70/65	-94/149	●	●
POM	BL	PBT	BL	R6	BK	10	685	9.4	1.93	0.0	-45/60	-49/140	–	–
PP	BL	PP	BL	R7	BK	5	343	6.9	1.41	0.25	5/100	41/212	●	●
PP	WT	PP	WT	R7	BG	5	343	6.9	1.41	0.25	5/100	41/212	●	●

### Mold to order belts

PXX-HC	BK	PBT	UC	R7	BK	5	343	7.3	1.5	0.25	5/100	41/212	–	–
--------	----	-----	----	----	----	---	-----	-----	-----	------	-------	--------	---	---

Mold to width available in: 50 mm (1.97 in), 125 mm (4.92 in), 200 mm (7.87 in)

■ BG (Beige), ■ BL (Blue), ■ BK (Black), □ UC (Uncolored), □ WT (White)

All measurements and tolerances apply at 21 °C; for temperature deviations please see Prolink manual chapter 4.4 "Temperature influence".

All imperial dimensions (inches) are rounded off.

<sup>1)</sup> Flex radii: r1 = side flex, r2 = front flex on roller, r3 = back flex on load bearing roller, r4 = back flex on Hold Down shoe, r5 = back flex on roller

<sup>2)</sup> Complies with FDA 21 CFR

<sup>3)</sup> Complies with (EU) 10/2011 and (EC) 1935/2004 regulations regarding the raw materials used and the migration thresholds

<sup>4)</sup> More materials and colors on request



MOVEMENT SYSTEMS

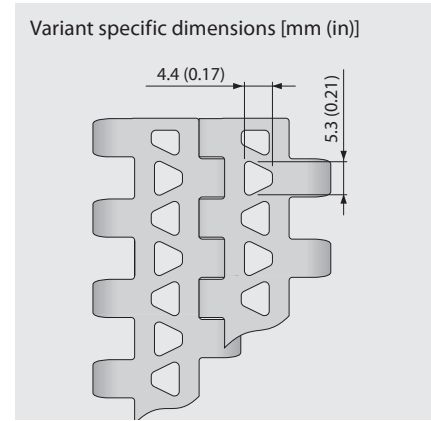
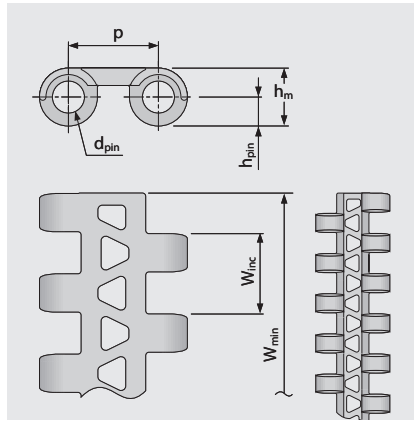
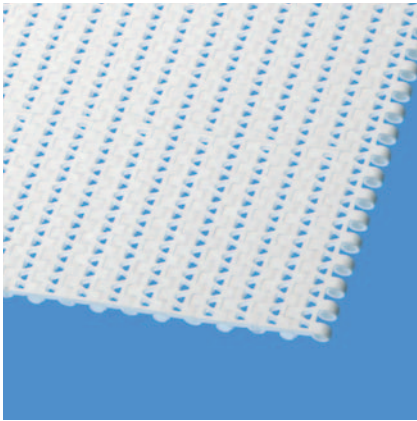
# SERIES 4.1 | BELT TYPES

sieging prolink  
modular belts

Straight running belt | Pitch 14 mm (0.55 in)

## S4.1-21 FLT | 21 % Opening | Flat top

Large open area (21 %) for excellent air circulation and drainage | Contact area 70 % (Largest opening: 5.3 x 4.4 mm/0.21 x 0.17 in) | Smooth surface



### Belt dimensions

	p	d <sub>pin</sub>	h <sub>m</sub>	h <sub>pin</sub>	h <sub>s</sub>	W <sub>min</sub>	W <sub>inc</sub>	W <sub>tol</sub>	Minimum flex radii <sup>1)</sup>				
	Pitch	Pin Ø	Thickness [mm]	Pin position [mm]	Height [mm]	Width min. [mm]	Width Increment [mm]	Width tolerance [%]	r1 C <sub>c</sub> x W <sub>B</sub>	r2	r3	r4	r5
mm	14.0	5.0	9.0	4.5	0.0	25.0	12.5	±0.2	–	11.0	25.0	38.0	12.5
inch	0.55	0.2	0.35	0.18	0.0	0.98	0.49	±0.2	–	0.43	0.98	1.5	0.49

### Available standard materials<sup>4)</sup>

Belt		Pin		Nominal belt pull, straight		Weight		Width deviation	Temperature		Certificates	
Material	Color	Material	Color	[N/mm]	[lb/ft]	[kg/m <sup>2</sup> ]	[lb/ft <sup>2</sup> ]	[%]	[°C]	[°F]	FDA <sup>2)</sup>	EU <sup>3)</sup>
PE	WT	PE	UC	3	206	4.5	0.92	-0.1	-70/65	-94/149	●	●
PE	UC	PBT	UC	3	206	4.5	0.92	-0.1	-70/65	-94/149	●	●
PE	BL	PE	UC	3	206	4.5	0.92	-0.1	-70/65	-94/149	●	●
POM	BL	PBT	BL	10	685	6.5	1.33	0.0	-45/90	-49/194	●	●
POM	WT	PBT	UC	10	685	6.5	1.33	0.0	-45/90	-49/194	●	●
PP	BL	PP	BL	5	343	4.1	0.84	0.25	5/100	41/212	●	●
PP	WT	PP	WT	5	343	4.1	0.84	0.25	5/100	41/212	●	●

Mold to order belts												
PA-HT	BK	PA-HT	BK	10	685	6.4	1.31	1.4	-30/155	-22/311	–	–
POM-MD	BL	POM-MD	BL	10	685	6.9	1.41	0.0	-45/90	-49/194	●	●
PP-MD	BL	PP-MD	BL	10	685	4.8	0.98	0.2	5/100	41/212	●	●

Mold to width available in: 38 mm (1.5 in), 50 mm (1.97 in), 100 mm (3.94 in), 125 mm (4.92 in)

■ BK (Black), ■ BL (Blue), □ UC (Uncolored), □ WT (White)

All measurements and tolerances apply at 21 °C; for temperature deviations please see Prolink manual chapter 4.4 "Temperature influence".

All imperial dimensions (inches) are rounded off.

<sup>1)</sup> Flex radii: r1 = side flex, r2 = front flex on roller, r3 = back flex on load bearing roller, r4 = back flex on Hold Down shoe, r5 = back flex on roller

<sup>2)</sup> Complies with FDA 21 CFR

<sup>3)</sup> Complies with (EU) 10/2011 and (EC) 1935/2004 regulations regarding the raw materials used and the migration thresholds

<sup>4)</sup> More materials and colors on request



MOVEMENT SYSTEMS

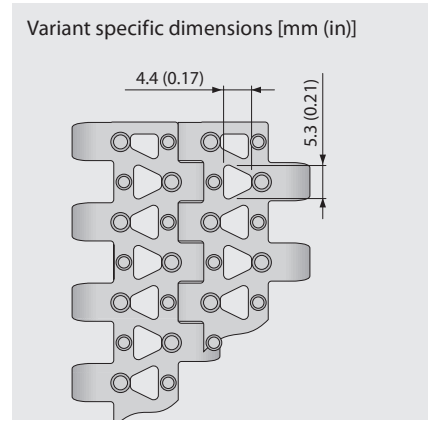
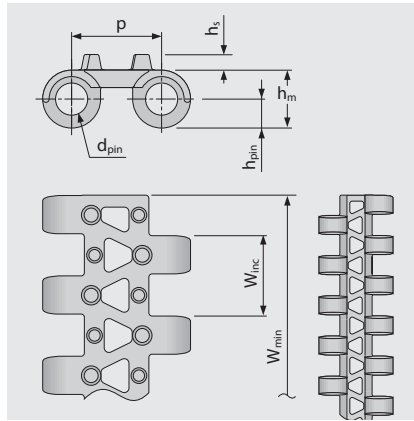
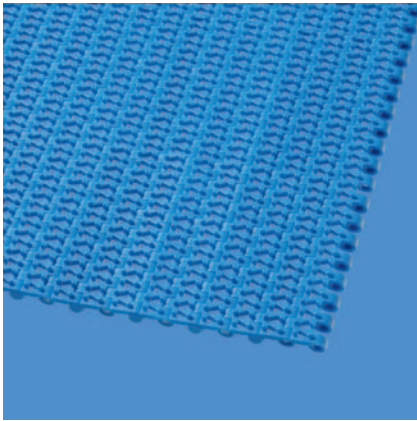
# SERIES 4.1 | BELT TYPES

siegling prolink  
modular belts

Straight running belt | Pitch 14 mm (0.55 in)

## S4.1-21 NTP | 21 % Opening | Nub top (round studs)

Large open area (21 %) for excellent air circulation and drainage | Contact area 4 % (Largest opening: 5.3 x 4.4 mm / 0.21 x 0.17 in) | Nub top surface for good release of wet and sticky products | Version available without round studs at the side (25 mm indent)

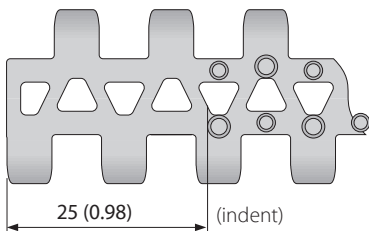


### Belt dimensions

	p	d <sub>pin</sub>	h <sub>m</sub>	h <sub>pin</sub>	h <sub>s</sub>	W <sub>min</sub>	W <sub>inc</sub>	W <sub>tol</sub>	Minimum flex radii <sup>1)</sup>				
	Pitch	Pin Ø	Thickness [mm]	Pin position [mm]	Height [mm]	Width min. [mm]	Width Increment [mm]	Width tolerance [%]	r1 C <sub>c</sub> x W <sub>B</sub>	r2	r3	r4	r5
mm	14.0	5.0	9.0	4.5	2.5	25.0	12.5	±0.2	–	11.0	25.0	38.0	12.5
inch	0.55	0.2	0.35	0.18	0.1	0.98	0.49	±0.2	–	0.43	0.98	1.5	0.49

### Available standard materials<sup>4)</sup>

Belt		Pin		Nominal belt pull, straight		Weight		Width deviation [%]	Temperature		Certificates	
Material	Color	Material	Color	[N/mm]	[lb/ft]	[kg/m <sup>2</sup> ]	[lb/ft <sup>2</sup> ]		[°C]	[°F]	FDA <sup>2)</sup>	EU <sup>3)</sup>
PE	BL	PE	UC	3	206	4.6	0.94	-0.1	-70/65	-94/149	●	●
POM	BL	PBT	BL	10	685	6.6	1.35	0.0	-45/90	-49/194	●	●
PP	WT	PP	WT	5	343	4.2	0.86	0.25	5/100	41/212	●	●



Also available with  
molded indent  
25 mm (0.98 in)

Mold to width available in: 200 mm (7.87 in)

■ BL (Blue), □ UC (Uncolored), □ WT (White)

All measurements and tolerances apply at 21 °C; for temperature deviations please see Prolink manual chapter 4.4 "Temperature influence".

All imperial dimensions (inches) are rounded off.

<sup>1)</sup> Flex radii: r1 = side flex, r2 = front flex on roller, r3 = back flex on load bearing roller, r4 = back flex on Hold Down shoe, r5 = back flex on roller

<sup>2)</sup> Complies with FDA 21 CFR

<sup>3)</sup> Complies with (EU) 10/2011 and (EC) 1935/2004 regulations regarding the raw materials used and the migration thresholds

<sup>4)</sup> More materials and colors on request



MOVEMENT SYSTEMS

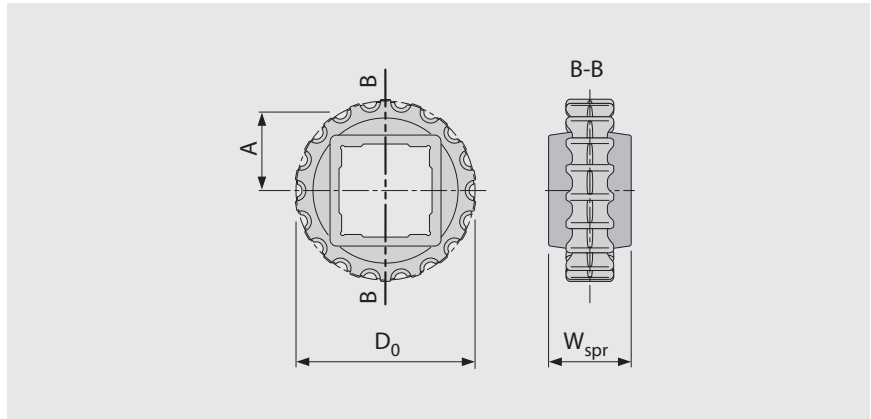
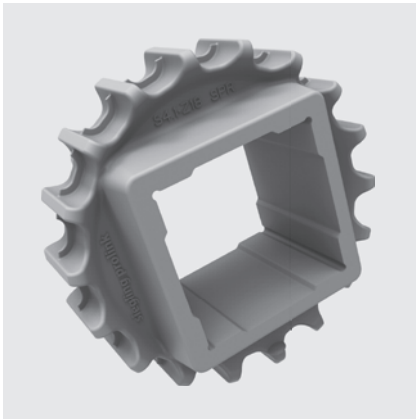
# SERIES 4.1 | SPROCKETS

siegling prolink  
modular belts

Straight running belt | Pitch 14 mm (0.55 in)

## S4.1 SPR | Sprockets

Wide sprocket teeth ensure superior sprocket engagement and load transmission



### Main dimensions

Sprocket size (Number of teeth)		Z10	Z12	Z14	Z16	Z18	Z19	Z26	Z35
W <sub>spr</sub>	mm	24.0	24.0	24.0	30.0	38.0	38.0	38.0	38.0
	inch	0.94	0.94	0.94	1.18	1.50	1.50	1.50	1.50
D <sub>0</sub>	mm	47.1	56.1	65.3	74.3	83.4	88.0	119.8	160.4
	inch	1.85	2.21	2.57	2.93	3.28	3.46	4.72	6.31
A <sub>max</sub>	mm	19.0	23.6	28.2	32.8	37.2	39.5	55.4	75.7
	inch	0.75	0.93	1.11	1.29	1.46	1.56	2.18	2.98
A <sub>min</sub>	mm	18.1	22.8	27.5	31.9	36.6	39.0	55.0	75.4
	inch	0.71	0.90	1.08	1.26	1.44	1.53	2.17	2.97

### Shaft bores (● = Round, ■ = Square)

20	mm	●/■							
25	mm		●/■	■	●	●/■	■		●
30	mm								●
40	mm					■	■	■	■
60	mm							■	■
0.75	inch	●	●					●	
1	inch		●/■	■		●/■	■		●
1.25	inch					●			●
1.5	inch					■	■	■	■
2.5	inch							■	■

Material: PA, Color: LG

■ LG (Light gray)

All measurements and tolerances apply at 21 °C; for temperature deviations please see Prolink manual chapter 4.4 "Temperature influence".

All imperial dimensions (inches) are rounded off.

For detailed sprocket and shaft dimensions see appendix 6.3

Number of sprockets (sprocket spacing distance) see chapter 3.2



MOVEMENT SYSTEMS



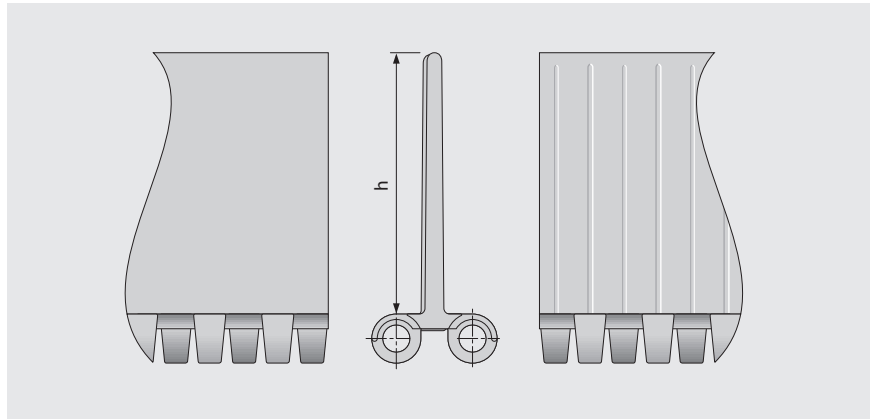
# SERIES 4.1 | PROFILES

siegling prolink  
modular belts

Straight running belt | Pitch 14 mm (0.55 in)

## S4.1 FLT/NCL PMU

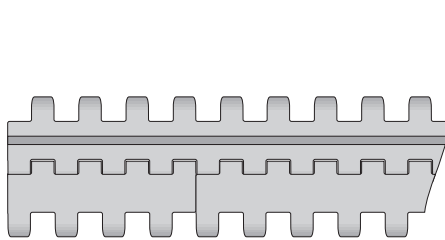
No cling surface to improve release of wet and sticky products and Flat top surface for dry products



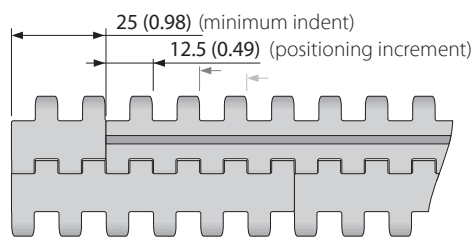
### Basic data

Material	Color	Height (h)
		51 mm 2 inch
PE	BL	●
PE	WT	●
POM	BL	●
POM	WT	●
PP	BL	●
PP	WT	●

Molded width: 200 mm (7.9 in)



Standard configuration S4.1-0 FLT/NCL PMU



Indent configuration S4.1-0 FLT/NCL PMU

■ BL (Blue), □ WT (White)

All measurements and tolerances apply at 21 °C; for temperature deviations please see ProLink manual chapter 4.4 "Temperature influence".

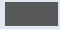
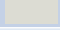







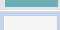
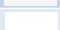

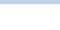
All imperial dimensions (inches) are rounded off.

Note: Use of accessory in a belt may impact on the minimum design radii. Please see chapter 6.3 for further information.



MOVEMENT SYSTEMS

# LEGEND

<b>① Series</b>		<b>④ Type</b>		<b>⑥ Material</b>		<b>⑦ Color*</b>	
S1 ... S18		<b>BPU</b>	Bucket profile	<b>PA</b>	Polyamide	<b>AT</b>	Anthracite 
<b>② Open area/Sprocket size</b>		<b>CAP</b>	Pin lock & belt edge sealing	<b>PA-HT</b>	Polyamide high temperature	<b>BG</b>	Beige 
Percentage open area Format: xx E.g. 20 = 20%		<b>CCW</b>	Counter clockwise	<b>PBT</b>	Polybutylentere-phthalate	<b>BK</b>	Black 
For sprockets: number of teeth Format: "Z"xx E.g. Z12 = 12 teeth		<b>CLP</b>	Clip	<b>PE</b>	Polyethylene	<b>BL</b>	Blue 
<b>③ Surface pattern</b>		<b>CM</b>	Center module	<b>PE-MD</b>	PE metal detectable	<b>DB</b>	Dark blue 
<b>BSL</b>	Base module for slider	<b>CW</b>	Clockwise	<b>PLX</b>	Wear & impact improved polymer	<b>GN</b>	Green 
<b>CTP</b>	Cone top	<b>FPL</b>	Finger plate	<b>POM</b>	Polyoxymethylene (Polyacetal)	<b>LB</b>	Light blue 
<b>CUT</b>	Curved top	<b>HDT</b>	Hold Down Tab	<b>POM-CR</b>	POM cut resistant	<b>LG</b>	Light gray 
<b>FLT</b>	Flat top (smooth)	<b>IDL</b>	Idler	<b>POM-HC</b>	POM highly conductive	<b>OR</b>	Orange 
<b>FRT-OG</b>	Friction top without High Grip insert	<b>PIN</b>	Coupling rod	<b>POM-MD</b>	POM metal detectable	<b>RE</b>	Red 
<b>FRT(X)</b>	Friction top (Design X)	<b>PMC</b>	Profile module center	<b>POM-PE</b>	POM side modules + PE center modules	<b>TQ</b>	Turquoise 
<b>GRT</b>	Grid top	<b>PMU</b>	Profile module universal	<b>POM-PP</b>	POM side modules + PP center modules	<b>UC</b>	Uncolored 
<b>HDK</b>	High Deck	<b>PSP</b>	ProSnap	<b>PP</b>	Polypropylene	<b>WT</b>	White 
<b>LRB</b>	Lateral rib	<b>RI</b>	High Grip insert	<b>PXX-HC</b>	Self-extinguishing highly conductive material	<b>YL</b>	Yellow 
<b>MOD</b>	Modified module shape	<b>RTR</b>	Retaining ring	<b>R1</b>	TPE 80 Shore A, PP		
<b>NCL</b>	No cling	<b>SG</b>	Module with sideguard	<b>R2</b>	EPDM 80 Shore A, vulcanized		
<b>NPY</b>	Negative pyramid	<b>SLI</b>	Slider	<b>R3</b>	TPE 70 Shore A, POM		
<b>NSK</b>	Non skid	<b>SML</b>	Side module, left	<b>R4</b>	TPE 86 Shore A, PP		
<b>NSK2</b>	Non skid, nonwoven variant	<b>SMR</b>	Side module, right	<b>R5</b>	TPE 52 Shore A, PP		
<b>NTP</b>	Nub top (round studs)	<b>SMU</b>	Side module, universal/both sides	<b>R6</b>	TPE 63 Shore A, POM		
<b>PRR</b>	Pin Retained Rollers	<b>SPR</b>	Sprocket	<b>R7</b>	TPE 50 Shore A, PP		
<b>RAT</b>	Radius top	<b>TPL</b>	Turning panel, left	<b>R8</b>	TPE 55 Shore A, PE		
<b>RRB</b>	Raised rib	<b>TPR</b>	Turning panel, right	<b>SER</b>	Self-extinguishing TPE		
<b>RSA</b>	Reduced surface area	<b>UM</b>	Universal module	<b>SS</b>	Stainless steel		
<b>RTP</b>	Roller top	<b>WSC</b>	Wheel Stopper Center	<b>TPC1</b>	Thermoplastic Copolyester		
<b>SRS</b>	Slip-resistant surface	<b>WSS</b>	Wheel Stopper Side	<b>-HA</b>	Supports the HACCP concept		
				<b>-HW</b>	High Wear resistant material		
		<b>⑤ Style</b>				<b>⑧ Height/Diameter/ Bore size and style</b>	
		<b>1.7</b>	1.7 collapse factor			Height in mm (in) Format: Hxxx	
		<b>2.2</b>	2.2 collapse factor			Pin diameter in mm (in) Format: Dxxx	
		<b>2.2 G</b>	2.2 collapse factor, guided			Bore size: SQ (= square) or RD (= round) either in mm or inches Format: SQxxMM or RDxxIN	
		<b>A90</b>	Angle 90° to conveying direction			<b>⑨ Length/Width</b>	
		<b>BT</b>	Bearing tab			Pins Length in mm (in) Format: Lxxx	
		<b>DR</b>	Double row sprocket			Module width in mm (in) Format: Wxxx	
		<b>F1, F2, F3 ...</b>	Collapse factor modules				
		<b>G</b>	Guided				
		<b>GT</b>	Guiding tabs				
		<b>HD</b>	Hold Down				
		<b>Ixx</b>	xx = indent in mm				
		<b>RG</b>	Reversed guided				
		<b>SG</b>	Side guard				
		<b>SP</b>	Split sprocket				
		<b>ST</b>	Strong				

\* For each series' standard colors please refer to the table of materials for each belt (chapter 1.2). A number of other colors are available on request. Colors can vary from the original due to the print, production processes or material used.