

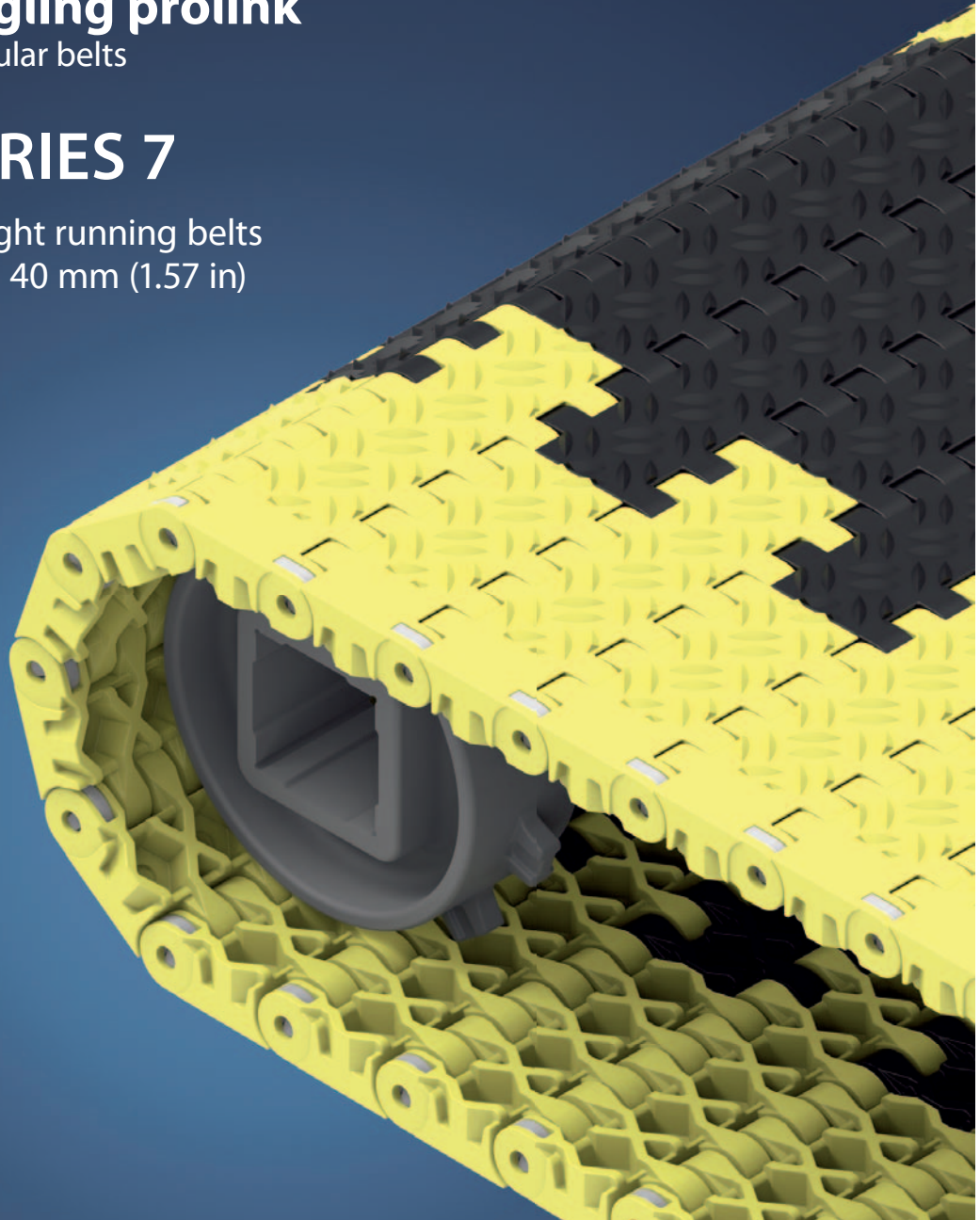
# EXCERPT FROM PROLINK ENGINEERING MANUAL

02/22 (Ref-No. 888)

**siegling prolink**  
modular belts

## SERIES 7

Straight running belts  
Pitch 40 mm (1.57 in)



**Forbo Siegling GmbH**  
Lilienthalstraße 6/8, D-30179 Hannover  
Phone +49 511 6704 0  
[www.forbo-siegling.com](http://www.forbo-siegling.com), [siegling@forbo.com](mailto:siegling@forbo.com)

Ref. no. 888-2\_1.2\_S7

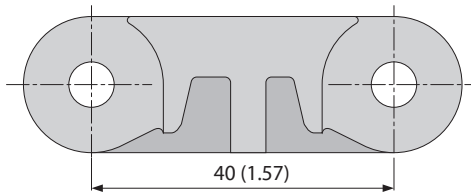
# SERIES 7 | OVERVIEW

siegling prolink  
modular belts

Straight running belts | Pitch 40 mm (1.57 in)

## Belts for heavy-duty non-food applications

### Side view scale 1:1



### Design characteristics

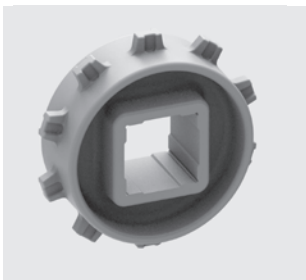
- Closed-hinge design provides high belt pull capacity
- Small-pitch relative to belt thickness makes belt suitable for compact, heavily loaded conveyors
- Robust design with large surface contact area ensures superior wear life
- Closed solid edge
- Flame retardant version available (PXX-HC – in line with DIN EN 13501-1)

### Basic data

|                  |  |
|------------------|--|
| Pitch            | 40 mm (1.57 in)  |
| Belt width min.  | 80 mm (3.15 in)<br>360 mm (14.2 in) for belts with FRT-surface (side modules only available without FRT-surface) |
| Width increments | 20 mm (0.8 in) FRT-surface on request  |
| Hinge pins       | 6 mm (0.24 in) made of plastic (PBT) or stainless steel  |

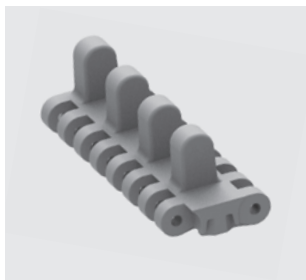
### Sprockets

in different sizes with round or square sprocket bore

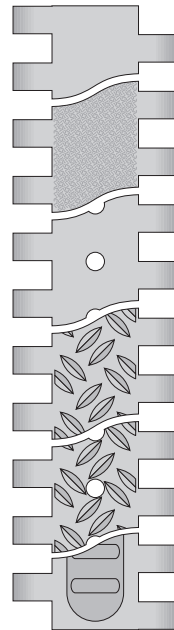


### Wheelstopper

used for securing the position of vehicles on the belt



### Available surface pattern and opening area



#### S7-0 FLT

Closed, smooth surface

#### S7-0 SRS

Closed, slip-resistant surface

#### S7-6 FLT

Open (6%), smooth surface

#### S7-0 NSK

Closed surface with non skid pattern

#### S7-6 NSK

Open (6%) surface with non skid pattern

#### S7-0 FRT1

Closed surface with friction top

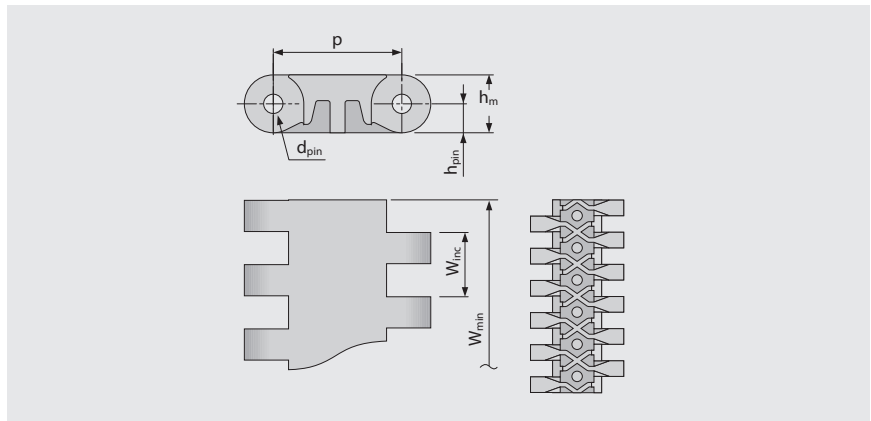
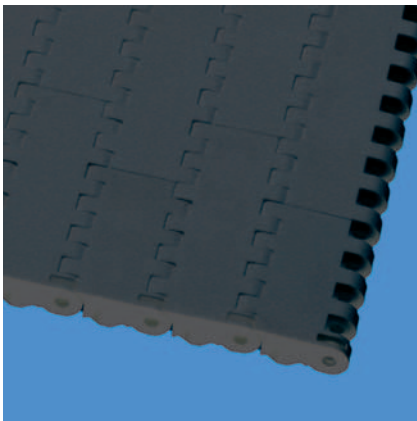
# SERIES 7 | BELT TYPES

siebling prolink  
modular belts

Straight running belt | Pitch 40 mm (1.57 in)

## S7-0 FLT | 0% Opening | Flat top

Closed, smooth surface | Flat top surface



### Belt dimensions

|      | p     | d <sub>pin</sub> | h <sub>m</sub> | h <sub>pin</sub>  | h <sub>s</sub> | W <sub>min</sub> | W <sub>inc</sub>     | W <sub>tol</sub>    | Minimum flex radii <sup>1)</sup>      |      |      |       |      |
|------|-------|------------------|----------------|-------------------|----------------|------------------|----------------------|---------------------|---------------------------------------|------|------|-------|------|
|      | Pitch | Pin Ø            | Thickness [mm] | Pin position [mm] | Height [mm]    | Width min. [mm]  | Width Increment [mm] | Width tolerance [%] | r1<br>C <sub>c</sub> x W <sub>B</sub> | r2   | r3   | r4    | r5   |
| mm   | 40.0  | 6.0              | 18.0           | 9.0               | 0.0            | 80.0             | 20.0                 | ±0.2                | –                                     | 40.0 | 80.0 | 120.0 | 40.0 |
| inch | 1.57  | 0.24             | 0.71           | 0.35              | 0.0            | 3.15             | 0.79                 | ±0.2                | –                                     | 1.57 | 3.15 | 4.72  | 1.57 |

### Available standard materials<sup>4)</sup>

| Belt     |       | Pin      |       | Nominal belt pull, straight |         | Weight               |                       | Width deviation | Temperature |         | Certificates                  |
|----------|-------|----------|-------|-----------------------------|---------|----------------------|-----------------------|-----------------|-------------|---------|-------------------------------|
| Material | Color | Material | Color | [N/mm]                      | [lb/ft] | [kg/m <sup>2</sup> ] | [lb/ft <sup>2</sup> ] | [%]             | [°C]        | [°F]    | Flame retardant <sup>2)</sup> |
| POM      | AT    | PBT      | UC    | 50                          | 3426    | 18.3                 | 3.75                  | -0.75           | -45/90      | -49/194 |                               |
| POM      | AT    | SS       |       | 60                          | 4111    | 22.8                 | 4.67                  | -0.75           | -45/90      | -49/194 |                               |
| POM      | YL    | PBT      | UC    | 50                          | 3426    | 18.3                 | 3.75                  | -0.75           | -45/90      | -49/194 |                               |
| POM      | YL    | SS       |       | 60                          | 4111    | 22.8                 | 4.67                  | -0.75           | -45/90      | -49/194 |                               |
| POM-HC   | AT    | PBT      | UC    | 50                          | 3426    | 18.8                 | 3.85                  | -0.75           | -45/90      | -49/194 |                               |
| POM-HC   | AT    | SS       |       | 60                          | 4111    | 23.3                 | 4.77                  | -0.75           | -45/90      | -49/194 |                               |

### Mold to order belts

|        |    |     |    |    |      |      |      |       |        |         |   |
|--------|----|-----|----|----|------|------|------|-------|--------|---------|---|
| PE     |    | PE  | UC | 18 | 1233 | 12.3 | 2.52 | -0.35 | -70/65 | -94/149 |   |
| PP     |    | PP  | WT | 30 | 2056 | 11.6 | 2.38 | 0.0   | 5/100  | 41/212  |   |
| PP     |    | SS  |    | 30 | 2056 | 16.5 | 3.38 | 0.0   | 5/100  | 41/212  |   |
| PXX-HC | BK | PBT | UC | 30 | 2056 | 12.8 | 2.62 | -0.13 | 5/100  | 41/212  | ● |
| PXX-HC | BK | SS  |    | 30 | 2056 | 17.7 | 3.63 | -0.13 | 5/100  | 41/212  | ● |

■ AT (Anthracite), ■ BK (Black), □ UC (Uncolored), □ WT (White), ■ YL (Yellow)

All measurements and tolerances apply at 21 °C; for temperature deviations please see ProLink manual chapter 4.4 "Temperature influence".

All imperial dimensions (inches) are rounded off.

<sup>1)</sup> Flex radii: r1 = side flex, r2 = front flex on roller, r3 = back flex on load bearing roller, r4 = back flex on Hold Down shoe, r5 = back flex on roller

<sup>2)</sup> Complies with DIN EN 13501-1 Cfl-s1 (and DIN 4102 B1)

<sup>4)</sup> More materials and colors on request



MOVEMENT SYSTEMS

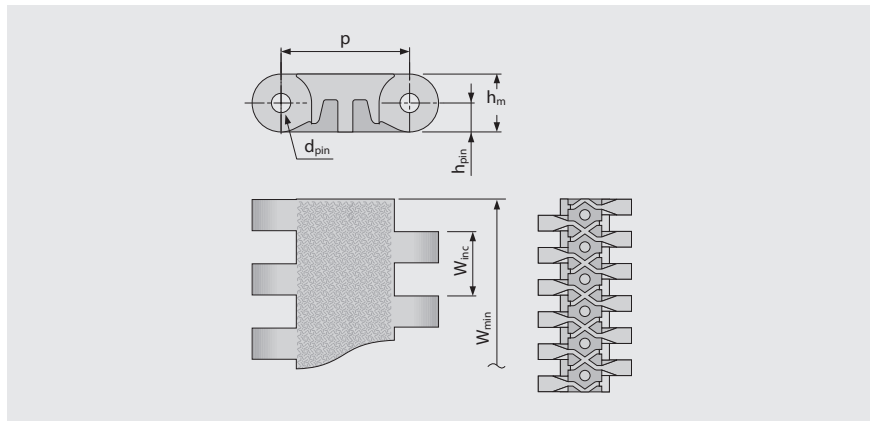
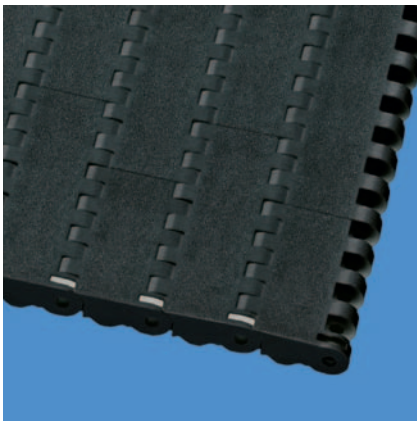
# SERIES 7 | BELT TYPES

siegling prolink  
modular belts

Straight running belt | Pitch 40 mm (1.57 in)

## S7-0 SRS | 0% Opening | Slip-resistant

Closed surface | Slip-resistant surface, pleasant to walk and kneel on | Flat top surface



### Belt dimensions

|      | p     | d <sub>pin</sub> | h <sub>m</sub> | h <sub>pin</sub>  | h <sub>s</sub> | W <sub>min</sub> | W <sub>inc</sub>     | W <sub>tol</sub>    | Minimum flex radii <sup>1)</sup>      |      |      |       |      |
|------|-------|------------------|----------------|-------------------|----------------|------------------|----------------------|---------------------|---------------------------------------|------|------|-------|------|
|      | Pitch | Pin Ø            | Thickness [mm] | Pin position [mm] | Height [mm]    | Width min. [mm]  | Width Increment [mm] | Width tolerance [%] | r1<br>C <sub>c</sub> x W <sub>B</sub> | r2   | r3   | r4    | r5   |
| mm   | 40.0  | 6.0              | 18.0           | 9.0               | 0.0            | 80.0             | 20.0                 | ±0.2                | –                                     | 40.0 | 80.0 | 120.0 | 40.0 |
| inch | 1.57  | 0.24             | 0.71           | 0.35              | 0.0            | 3.15             | 0.79                 | ±0.2                | –                                     | 1.57 | 3.15 | 4.72  | 1.57 |

### Available standard materials<sup>4)</sup>

| Belt     |       | Pin      |       | Nominal belt pull, straight |         | Weight               |                       | Width deviation | Temperature |         | Certificates                  |
|----------|-------|----------|-------|-----------------------------|---------|----------------------|-----------------------|-----------------|-------------|---------|-------------------------------|
| Material | Color | Material | Color | [N/mm]                      | [lb/ft] | [kg/m <sup>2</sup> ] | [lb/ft <sup>2</sup> ] | [%]             | [°C]        | [°F]    | Flame retardant <sup>2)</sup> |
| POM      | AT    | PBT      | UC    | 50                          | 3426    | 18.3                 | 3.75                  | -0.75           | -45/90      | -49/194 |                               |
| POM      | AT    | SS       |       | 60                          | 4111    | 22.8                 | 4.67                  | -0.75           | -45/90      | -49/194 |                               |
| POM      | YL    | PBT      | UC    | 50                          | 3426    | 18.3                 | 3.75                  | -0.75           | -45/90      | -49/194 |                               |
| POM      | YL    | SS       |       | 60                          | 4111    | 22.8                 | 4.67                  | -0.75           | -45/90      | -49/194 |                               |
| POM-HC   | AT    | PBT      | UC    | 50                          | 3426    | 18.8                 | 3.85                  | -0.75           | -45/90      | -49/194 |                               |
| POM-HC   | AT    | SS       |       | 60                          | 4111    | 23.3                 | 4.77                  | -0.75           | -45/90      | -49/194 |                               |
| PXX-HC   | BK    | PBT      | UC    | 30                          | 2056    | 12.8                 | 2.62                  | -0.13           | 5/100       | 41/212  | ●                             |
| PXX-HC   | BK    | SS       |       | 30                          | 2056    | 17.7                 | 3.63                  | -0.13           | 5/100       | 41/212  | ●                             |

■ AT (Anthracite), ■ BK (Black), □ UC (Uncolored), ■ YL (Yellow)

All measurements and tolerances apply at 21 °C; for temperature deviations please see Prolink manual chapter 4.4 "Temperature influence".

All imperial dimensions (inches) are rounded off.

<sup>1)</sup> Flex radii: r1 = side flex, r2 = front flex on roller, r3 = back flex on load bearing roller, r4 = back flex on Hold Down shoe, r5 = back flex on roller

<sup>2)</sup> Complies with DIN EN 13501-1 Cfl-s1 (and DIN 4102 B1)

<sup>4)</sup> More materials and colors on request



MOVEMENT SYSTEMS

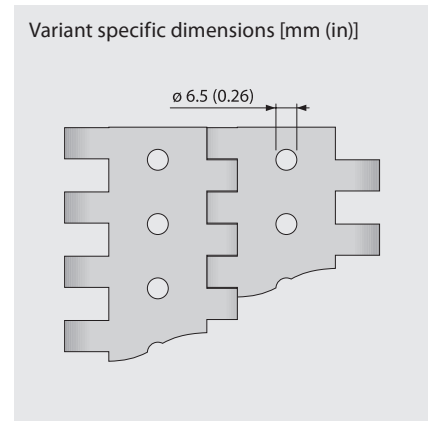
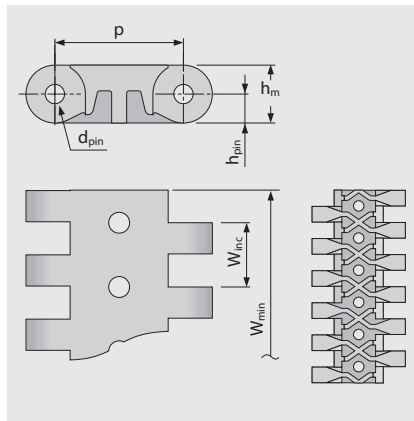
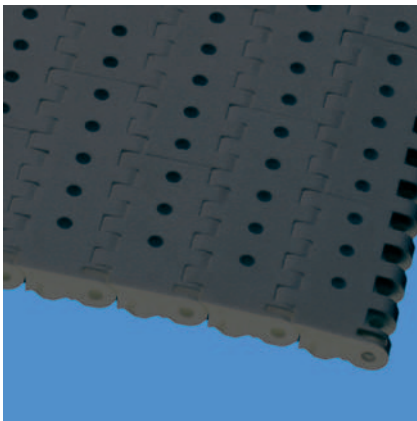
# SERIES 7 | BELT TYPES

siegling prolink  
modular belts

Straight running belt | Pitch 40 mm (1.57 in)

## S7-6 FLT | 6% Opening | Flat top

Open area (6%) increases drainage capacity | Smooth surface



### Belt dimensions

|      | p     | d <sub>pin</sub> | h <sub>m</sub> | h <sub>pin</sub>  | h <sub>s</sub> | W <sub>min</sub> | W <sub>inc</sub>     | W <sub>tol</sub>    | Minimum flex radii <sup>1)</sup>      |      |      |       |      |
|------|-------|------------------|----------------|-------------------|----------------|------------------|----------------------|---------------------|---------------------------------------|------|------|-------|------|
|      | Pitch | Pin Ø            | Thickness [mm] | Pin position [mm] | Height [mm]    | Width min. [mm]  | Width Increment [mm] | Width tolerance [%] | r1<br>C <sub>c</sub> x W <sub>B</sub> | r2   | r3   | r4    | r5   |
| mm   | 40.0  | 6.0              | 18.0           | 9.0               | 0.0            | 80.0             | 20.0                 | ±0.2                | –                                     | 40.0 | 80.0 | 120.0 | 40.0 |
| inch | 1.57  | 0.24             | 0.71           | 0.35              | 0.0            | 3.15             | 0.79                 | ±0.2                | –                                     | 1.57 | 3.15 | 4.72  | 1.57 |

### Available standard materials<sup>4)</sup>

| Belt     |       | Pin      |       | Nominal belt pull, straight |         | Weight               |                       | Width deviation [%] | Temperature |         | Certificates<br>Flame retardant <sup>2)</sup> |
|----------|-------|----------|-------|-----------------------------|---------|----------------------|-----------------------|---------------------|-------------|---------|---|
| Material | Color | Material | Color | [N/mm]                      | [lb/ft] | [kg/m <sup>2</sup> ] | [lb/ft <sup>2</sup> ] |                     | [°C]        | [°F]    |   |
| POM      | AT    | PBT      | UC    | 50                          | 3426    | 16.8                 | 3.44                  | -0.7                | -45/90      | -49/194 |   |
| POM      | AT    | SS       |       | 60                          | 4111    | 21.3                 | 4.36                  | -0.7                | -45/90      | -49/194 |   |

| Mold to order belts |    |     |    |    |      |      |      |       |        |         |   |
|---------------------|----|-----|----|----|------|------|------|-------|--------|---------|---|
| PE                  |    | PE  | UC | 18 | 1233 | 11.3 | 2.31 | 0.0   | -70/65 | -94/149 |   |
| PP                  |    | PP  | WT | 30 | 2056 | 10.7 | 2.19 | 0.0   | 5/100  | 41/212  |   |
| PP                  |    | SS  |    | 30 | 2056 | 15.6 | 3.2  | 0.0   | 5/100  | 41/212  |   |
| POM-HC              | AT | PBT | UC | 50 | 3426 | 17.3 | 3.54 | -0.75 | -45/90 | -49/194 |   |
| POM-HC              | AT | SS  |    | 60 | 4111 | 21.4 | 4.38 | -0.75 | -45/90 | -49/194 |   |
| PXX-HC              | BK | PBT | UC | 30 | 2056 | 11.8 | 2.42 | -0.13 | 5/100  | 41/212  | ● |
| PXX-HC              | BK | SS  |    | 30 | 2056 | 16.3 | 3.34 | -0.13 | 5/100  | 41/212  | ● |

■ AT (Anthracite), ■ BK (Black), □ UC (Uncolored), □ WT (White)

All measurements and tolerances apply at 21 °C; for temperature deviations please see Prolink manual chapter 4.4 "Temperature influence".

All imperial dimensions (inches) are rounded off.

<sup>1)</sup> Flex radii: r1 = side flex, r2 = front flex on roller, r3 = back flex on load bearing roller, r4 = back flex on Hold Down shoe, r5 = back flex on roller

<sup>2)</sup> Complies with DIN EN 13501-1 Cfl-s1 (and DIN 4102 B1)

<sup>4)</sup> More materials and colors on request



MOVEMENT SYSTEMS

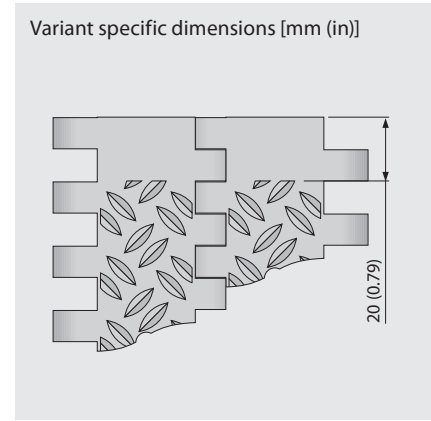
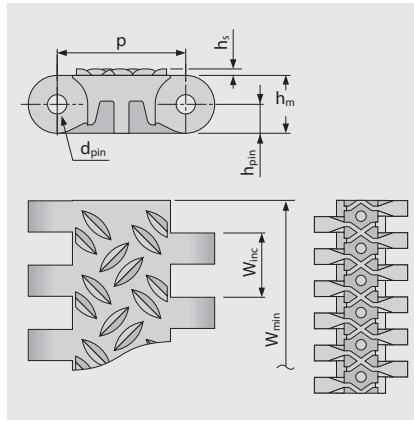
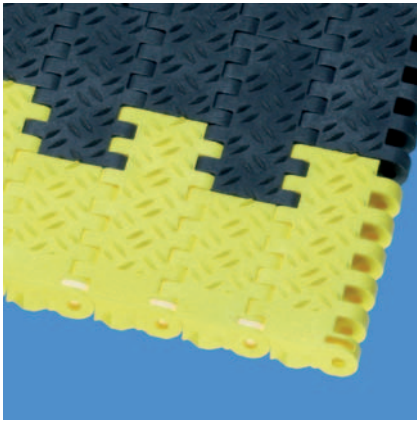
# SERIES 7 | BELT TYPES

siegling prolink  
modular belts

Straight running belt | Pitch 40 mm (1.57 in)

## S7-0 NSK | 0% Opening | Non skid

Closed surface | Non skid surface for safety when walking on belt



### Belt dimensions

|      | p     | d <sub>pin</sub> | h <sub>m</sub> | h <sub>pin</sub>  | h <sub>s</sub> | W <sub>min</sub> | W <sub>inc</sub>     | W <sub>tol</sub>    | Minimum flex radii <sup>1)</sup>      |      |      |       |      |
|------|-------|------------------|----------------|-------------------|----------------|------------------|----------------------|---------------------|---------------------------------------|------|------|-------|------|
|      | Pitch | Pin Ø            | Thickness [mm] | Pin position [mm] | Height [mm]    | Width min. [mm]  | Width Increment [mm] | Width tolerance [%] | r1<br>C <sub>c</sub> x W <sub>B</sub> | r2   | r3   | r4    | r5   |
| mm   | 40.0  | 6.0              | 18.0           | 9.0               | 2.0            | 80.0             | 20.0                 | ±0.2                | –                                     | 40.0 | 80.0 | 120.0 | 40.0 |
| inch | 1.57  | 0.24             | 0.71           | 0.35              | 0.08           | 3.15             | 0.79                 | ±0.2                | –                                     | 1.57 | 3.15 | 4.72  | 1.57 |

### Available standard materials<sup>4)</sup>

| Belt     |       | Pin      |       | Nominal belt pull, straight |         | Weight               |                       | Width deviation | Temperature |         | Certificates                  |
|----------|-------|----------|-------|-----------------------------|---------|----------------------|-----------------------|-----------------|-------------|---------|-------------------------------|
| Material | Color | Material | Color | [N/mm]                      | [lb/ft] | [kg/m <sup>2</sup> ] | [lb/ft <sup>2</sup> ] | [%]             | [°C]        | [°F]    | Flame retardant <sup>2)</sup> |
| POM      | AT    | PBT      | UC    | 50                          | 3426    | 19.0                 | 3.89                  | -0.75           | -45/90      | -49/194 |                               |
| POM      | AT    | SS       |       | 60                          | 4111    | 23.5                 | 4.81                  | -0.75           | -45/90      | -49/194 |                               |
| POM-HC   | AT    | PBT      | UC    | 50                          | 3426    | 19.5                 | 3.99                  | -0.75           | -45/90      | -49/194 |                               |
| POM-HC   | AT    | SS       |       | 60                          | 4111    | 24.0                 | 4.92                  | -0.75           | -45/90      | -49/194 |                               |
| PXX-HC   | BK    | PBT      | UC    | 30                          | 2056    | 14.6                 | 2.99                  | -0.13           | 5/100       | 41/212  | ●                             |
| PXX-HC   | BK    | SS       |       | 30                          | 2056    | 20.0                 | 4.1                   | -0.13           | 5/100       | 41/212  | ●                             |

### Mold to order belts

|    |  |    |    |    |      |      |      |       |       |        |  |
|----|--|----|----|----|------|------|------|-------|-------|--------|--|
| PP |  | PP | WT | 30 | 2056 | 13.3 | 2.72 | -0.13 | 5/100 | 41/212 |  |
| PP |  | SS |    | 30 | 2056 | 18.2 | 3.73 | -0.13 | 5/100 | 41/212 |  |

■ AT (Anthracite), ■ BK (Black), □ UC (Uncolored), □ WT (White)

All measurements and tolerances apply at 21 °C; for temperature deviations please see Prolink manual chapter 4.4 "Temperature influence".

All imperial dimensions (inches) are rounded off.

<sup>1)</sup> Flex radii: r1 = side flex, r2 = front flex on roller, r3 = back flex on load bearing roller, r4 = back flex on Hold Down shoe, r5 = back flex on roller

<sup>2)</sup> Complies with DIN EN 13501-1 Cfl-s1 (and DIN 4102 B1)

<sup>4)</sup> More materials and colors on request



MOVEMENT SYSTEMS

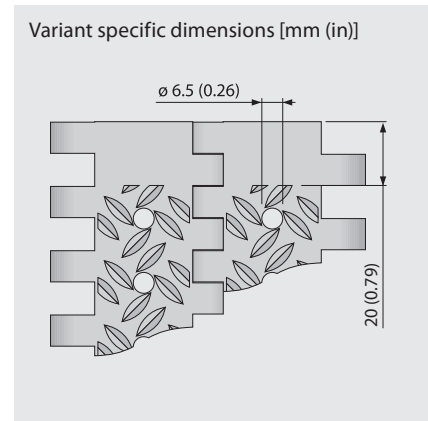
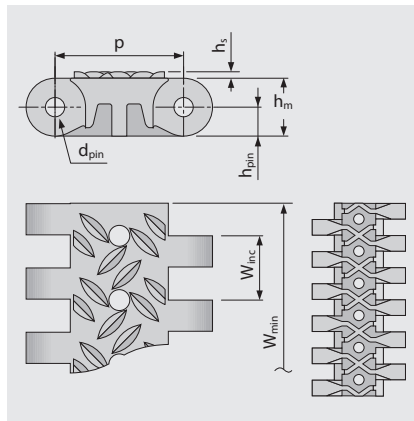
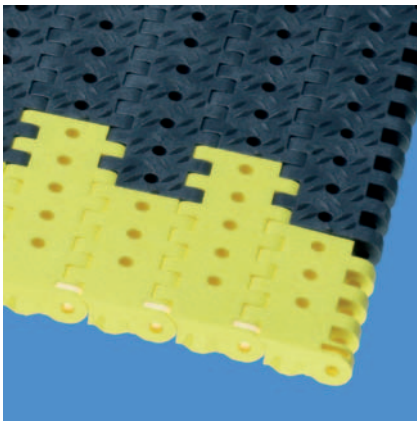
# SERIES 7 | BELT TYPES

siegling prolink  
modular belts

Straight running belt | Pitch 40 mm (1.57 in)

## S7-6 NSK | 6% Opening | Non skid

Open area (6%) | Non skid surface with drainage holes for safety when walking on wet belts



### Belt dimensions

|      | p     | d <sub>pin</sub> | h <sub>m</sub> | h <sub>pin</sub>  | h <sub>s</sub> | W <sub>min</sub> | W <sub>inc</sub>     | W <sub>tol</sub>    | Minimum flex radii <sup>1)</sup>      |      |      |       |      |
|------|-------|------------------|----------------|-------------------|----------------|------------------|----------------------|---------------------|---------------------------------------|------|------|-------|------|
|      | Pitch | Pin Ø            | Thickness [mm] | Pin position [mm] | Height [mm]    | Width min. [mm]  | Width Increment [mm] | Width tolerance [%] | r1<br>C <sub>c</sub> x W <sub>B</sub> | r2   | r3   | r4    | r5   |
| mm   | 40.0  | 6.0              | 18.0           | 9.0               | 2.0            | 80.0             | 20.0                 | ±0.2                | –                                     | 40.0 | 80.0 | 120.0 | 40.0 |
| inch | 1.57  | 0.24             | 0.71           | 0.35              | 0.08           | 3.15             | 0.79                 | ±0.2                | –                                     | 1.57 | 3.15 | 4.72  | 1.57 |

### Available standard materials<sup>4)</sup>

| Belt     |       | Pin      |       | Nominal belt pull, straight |         | Weight               |                       | Width deviation [%] | Temperature |         | Certificates<br>Flame retardant <sup>2)</sup> |
|----------|-------|----------|-------|-----------------------------|---------|----------------------|-----------------------|---------------------|-------------|---------|---|
| Material | Color | Material | Color | [N/mm]                      | [lb/ft] | [kg/m <sup>2</sup> ] | [lb/ft <sup>2</sup> ] |                     | [°C]        | [°F]    |   |
| POM      | AT    | PBT      | UC    | 50                          | 3426    | 17.5                 | 3.58                  | -0.7                | -45/90      | -49/194 |   |
| POM      | AT    | SS       |       | 60                          | 4111    | 22.0                 | 4.51                  | -0.7                | -45/90      | -49/194 |   |

| Mold to order belts |    |     |    |    |      |      |      |       |       |        |   |
|---------------------|----|-----|----|----|------|------|------|-------|-------|--------|---|
| PP                  |    | PP  | WT | 30 | 2056 | 11.2 | 2.29 | -0.13 | 5/100 | 41/212 |   |
| PP                  |    | SS  |    | 30 | 2056 | 14.1 | 2.89 | -0.13 | 5/100 | 41/212 |   |
| PXX-HC              | BK | PBT | UC | 30 | 2056 | 12.3 | 2.52 | -0.13 | 5/100 | 41/212 | ● |
| PXX-HC              | BK | SS  |    | 30 | 2056 | 17.2 | 3.52 | -0.13 | 5/100 | 41/212 | ● |

■ AT (Anthracite), ■ BK (Black), □ UC (Uncolored), □ WT (White)

All measurements and tolerances apply at 21 °C; for temperature deviations please see Prolink manual chapter 4.4 "Temperature influence".

All imperial dimensions (inches) are rounded off.

<sup>1)</sup> Flex radii: r1 = side flex, r2 = front flex on roller, r3 = back flex on load bearing roller, r4 = back flex on Hold Down shoe, r5 = back flex on roller

<sup>2)</sup> Complies with DIN EN 13501-1 Cfl-s1 (and DIN 4102 B1)

<sup>4)</sup> More materials and colors on request



MOVEMENT SYSTEMS

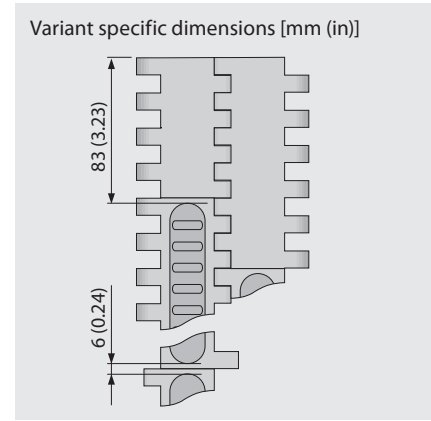
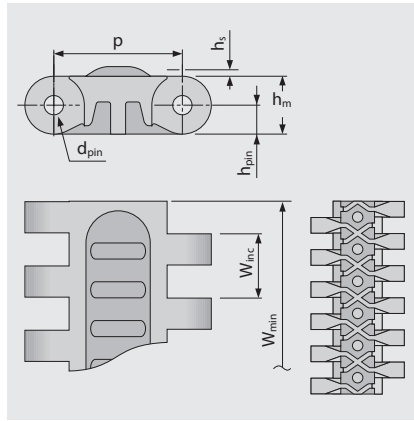
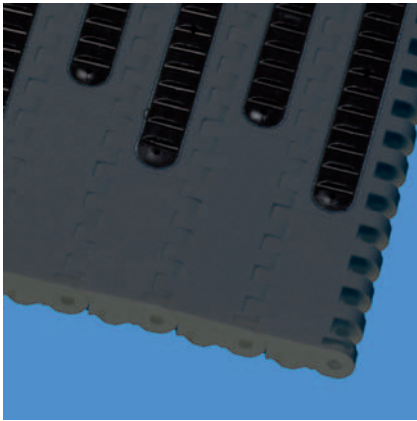
# SERIES 7 | BELT TYPES

siegling prolink  
modular belts

Straight running belt | Pitch 40 mm (1.57 in)

## S7-0 FRT1 | 0% Opening | Friction top (Design 1)

Closed surface | Friction top version with replaceable rubber pads provides increased grip



### Belt dimensions

|      | p     | d <sub>pin</sub> | h <sub>m</sub> | h <sub>pin</sub>  | h <sub>s</sub> | W <sub>min</sub> | W <sub>inc</sub>     | W <sub>tol</sub>    | Minimum flex radii <sup>1)</sup>      |      |      |       |      |
|------|-------|------------------|----------------|-------------------|----------------|------------------|----------------------|---------------------|---------------------------------------|------|------|-------|------|
|      | Pitch | Pin Ø            | Thickness [mm] | Pin position [mm] | Height [mm]    | Width min. [mm]  | Width Increment [mm] | Width tolerance [%] | r1<br>C <sub>c</sub> x W <sub>B</sub> | r2   | r3   | r4    | r5   |
| mm   | 40.0  | 6.0              | 18.0           | 9.0               | 3.0            | 360.0            | 200.0                | ±0.2                | –                                     | 40.0 | 80.0 | 120.0 | 40.0 |
| inch | 1.57  | 0.24             | 0.71           | 0.35              | 0.12           | 14.17            | 7.87                 | ±0.2                | –                                     | 1.57 | 3.15 | 4.72  | 1.57 |

### Available standard materials<sup>4)</sup>

| Belt     |       | Pin      |       | Rubber   |       | Nominal belt pull, straight |         | Weight               |                       | Width deviation | Temperature |         | Certificates             |
|----------|-------|----------|-------|----------|-------|-----------------------------|---------|----------------------|-----------------------|-----------------|-------------|---------|--------------------------|
| Material | Color | Material | Color | Material | Color | [N/mm]                      | [lb/ft] | [kg/m <sup>2</sup> ] | [lb/ft <sup>2</sup> ] | [%]             | [°C]        | [°F]    | Flame ret. <sup>2)</sup> |
| POM      | AT    | PBT      | UC    | R2       | BK    | 50                          | 3426    | 19.0                 | 3.89                  | -0.75           | -45/90      | -49/194 |                          |
| POM      | AT    | SS       |       | R2       | BK    | 60                          | 4111    | 23.5                 | 4.81                  | -0.75           | -45/90      | -49/194 |                          |

| Mold to order belts |  |    |    |    |    |    |      |      |      |       |        |         |  |
|---------------------|--|----|----|----|----|----|------|------|------|-------|--------|---------|--|
| PE                  |  | PE | UC | R2 | BK | 18 | 1233 | 13.0 | 2.66 | -0.35 | -70/65 | -94/149 |  |
| PP                  |  | PP | WT | R2 | BK | 30 | 2056 | 12.4 | 2.54 | 0.0   | 5/100  | 41/212  |  |
| PP                  |  | SS |    | R2 | BK | 30 | 2056 | 17.3 | 3.54 | 0.0   | 5/100  | 41/212  |  |

■ AT (Anthracite), ■ BK (Black), □ UC (Uncolored), □ WT (White)

All measurements and tolerances apply at 21 °C; for temperature deviations please see Prolink manual chapter 4.4 "Temperature influence".

All imperial dimensions (inches) are rounded off.

<sup>1)</sup> Flex radii: r1 = side flex. r2 = front flex on roller. r3 = back flex on load bearing roller. r4 = back flex on Hold Down shoe. r5 = back flex on roller

<sup>2)</sup> Complies with DIN EN 13501-1 Cfl-s1 (and DIN 4102 B1)

<sup>4)</sup> More materials and colors on request



MOVEMENT SYSTEMS

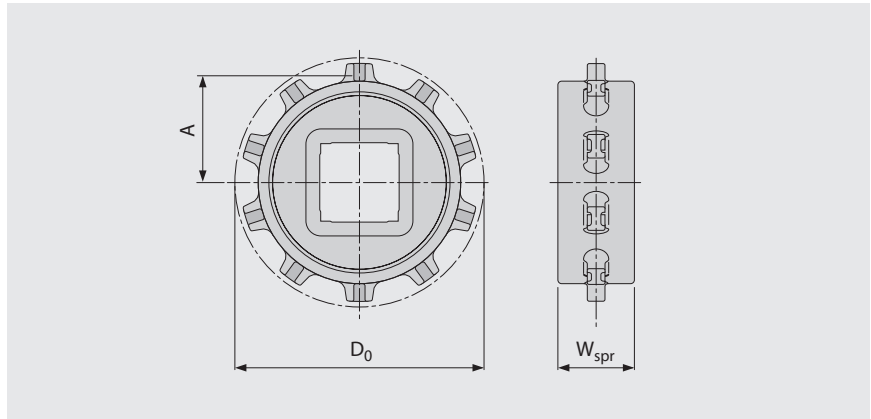
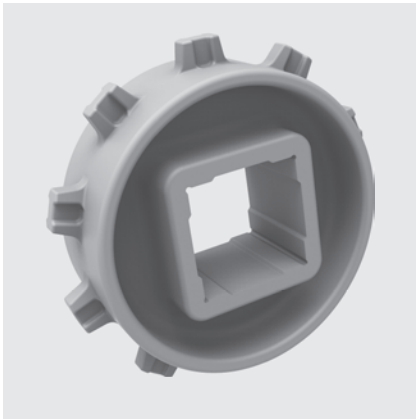


# SERIES 7 | SPROCKETS

siegling prolink  
modular belts

Straight running belt | Pitch 40 mm (1.57 in)

## S7 SPR | Sprockets



### Main dimensions

| Sprocket size<br>(Number of teeth) |      | Z10   | Z16*  | Z16 V2** | Z20*  | Z20 V2** |
|------------------------------------|------|-------|-------|----------|-------|----------|
| W <sub>spr</sub>                   | mm   | 39.0  | 39.0  | 39.0     | 39.0  | 39.0     |
|                                    | inch | 1.54  | 1.54  | 1.54     | 1.54  | 1.54     |
| D <sub>0</sub>                     | mm   | 129.7 | 205.9 | 204.8    | 256.2 | 255.1    |
|                                    | inch | 5.11  | 8.11  | 8.06     | 10.09 | 10.04    |
| A <sub>max</sub>                   | mm   | 55.9  | 93.9  | 93.5     | 119.1 | 118.6    |
|                                    | inch | 2.20  | 3.70  | 3.68     | 4.69  | 4.67     |
| A <sub>min</sub>                   | mm   | 53.2  | 92.1  | 91.5     | 117.6 | 117.1    |
|                                    | inch | 2.09  | 3.63  | 3.60     | 4.63  | 4.61     |

### Shaft bores (● = Round, ■ = Square)

|     |      |   |   |   |   |   |
|-----|------|---|---|---|---|---|
| 40  | mm   | ■ |   |   |   |   |
| 60  | mm   |   | ■ | ■ | ■ | ■ |
| 80  | mm   |   | ■ | ■ | ■ | ■ |
| 90  | mm   |   |   |   | ■ | ■ |
| 1.5 | inch | ■ |   |   |   |   |
| 2.5 | inch |   | ■ | ■ | ■ | ■ |
| 3.5 | inch |   |   |   | ■ | ■ |

Material: PA, Color: LG

\* not recommended for the material /pin combination POM/SS

\*\* new update V2 design to improve performance for the material/pin combination POM/SS

■ LG (Light gray)

All measurements and tolerances apply at 21 °C; for temperature deviations please see ProLink manual chapter 4.4 "Temperature influence".

All imperial dimensions (inches) are rounded off.

For detailed sprocket and shaft dimensions see appendix 6.3

Number of sprockets (sprocket spacing distance) see chapter 3.2



MOVEMENT SYSTEMS

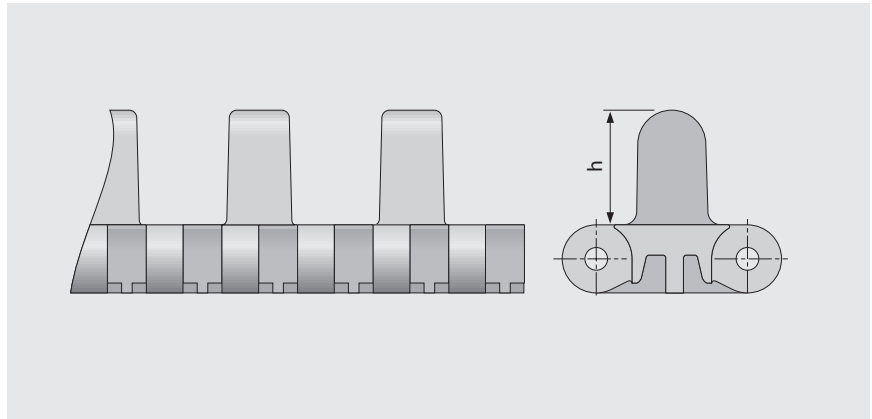
# SERIES 7 | WHEELSTOPPER

siegling prolink  
modular belts

Straight running belt | Pitch 40 mm (1.57 in)

## S7-0 FLT WSC | Wheelstopper

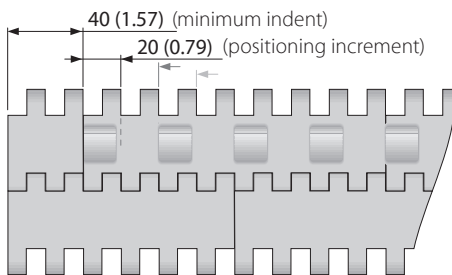
Stiff and strong profiles (interrupted for finger plates)



### Basic data

| Material | Color | Height (h)        |
|----------|-------|-------------------|
|          |       | 30 mm<br>1.2 inch |
| POM      | DB    | ●                 |

Molded width: 160 mm (6.3 in)



Configuration S7-0 FLT WSC

■ DB (Dark blue)

All measurements and tolerances apply at 21 °C; for temperature deviations please see Prolink manual chapter 4.4 "Temperature influence".

All imperial dimensions (inches) are rounded off.

Note: Use of accessory in a belt may impact on the minimum design radii. Please see chapter 6.3 for further information.



MOVEMENT SYSTEMS

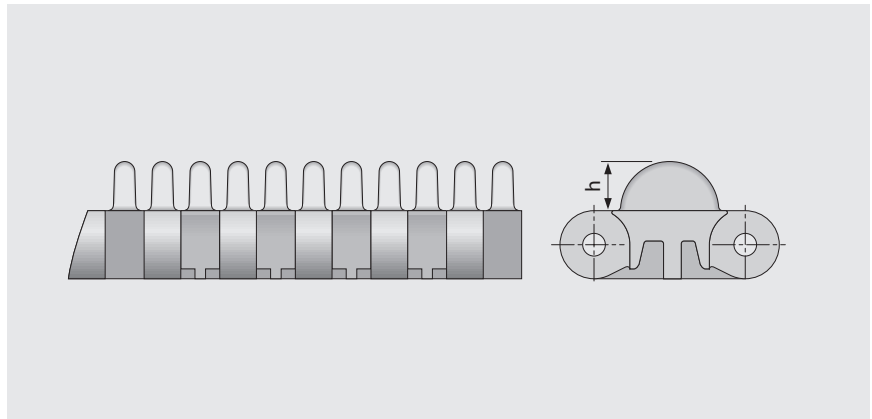
# SERIES 7 | WHEELSTOPPER

siegling prolink  
modular belts

Straight running belt | Pitch 40 mm (1.57 in)

## S7-0 NCL WSS I20 | Wheelstopper

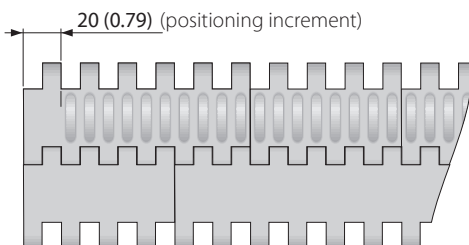
Small and stiff profiles (interrupted for finger plates)



### Basic data

| Material | Color | Height (h)        |
|----------|-------|-------------------|
|          |       | 13 mm<br>0.5 inch |
| POM      | YL    | ●                 |

Molded width: 80 mm (3.2 in), 120 mm (4.7 in)



Configuration S7-0 NCL WSS I20

YL (Yellow)

All measurements and tolerances apply at 21 °C; for temperature deviations please see Prolink manual chapter 4.4 "Temperature influence".  
All imperial dimensions (inches) are rounded off.

Note: Use of accessory in a belt may impact on the minimum design radii. Please see chapter 6.3 for further information.



MOVEMENT SYSTEMS

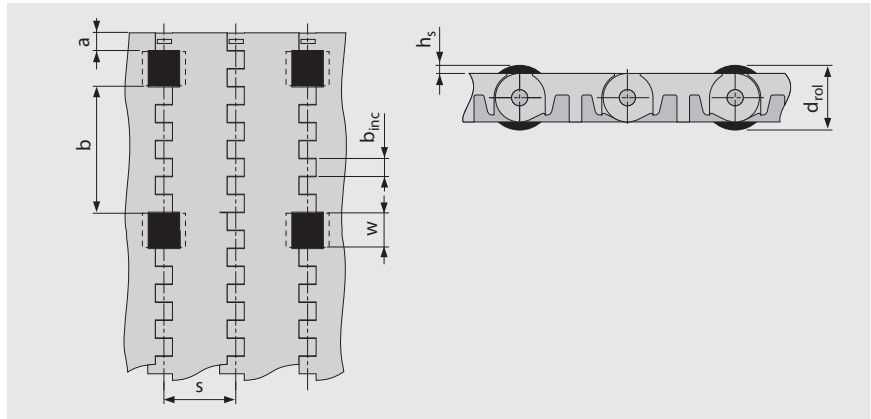
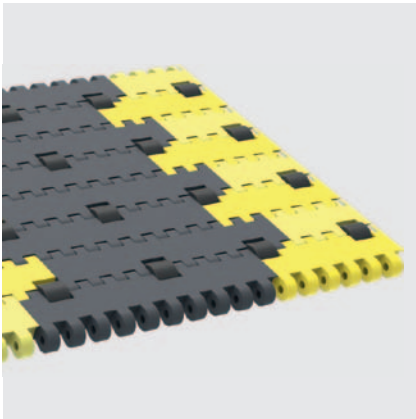
# SERIES 7 | PRR

siegling prolink  
modular belts

Straight running belt | Pitch 40 mm (1.57 in)

## S7 PRR | Pin Retained Rollers

For applications where low back pressure accumulation or product separation is required



- For low back pressure wearstrips are to be positioned between the rollers
- For product separation the wearstrips are to be positioned below the rollers
- For all materials and surfaces
- Rollers available in POM BK

### Dimensions

|                  |                                     |   |
|------------------|-------------------------------------|---|
| w                | 20 (0.79)                           | Roller cut out width (roller width 19 (0.75))             |
| h <sub>s</sub>   | 3.5 (0.14)                          | Height of rollers above surface                           |
| d <sub>rol</sub> | 25 (0.98)                           | Roller diameter   |
| a                | 10 (0.4)                            | Minimum indent  |
| b                | 70 (2.8)                            | Standard distance between rollers across belt width       |
| b <sub>inc</sub> | 10 (0.39)                           | Roller distance increment                                 |
| s                | 40 (1.6)                            | Standard roller spacing in travel direction (every pitch) |
| n <sub>rol</sub> | Number of rollers across belt width |   |
| W <sub>B</sub>   | Belt width                          |   |

### Allowable belt pull

To determine admissible belt pull calculate effective belt width  $W_{B,ef}$  by

$$W_{B,ef} = W_B - (w \times n_{rol})$$

Example:  $W_B = 400 \text{ mm (15.75 in)}$ ;  $A = 20 \text{ mm (0.79 in)}$ ;  $I = 5$

$$W_{B,ef} = 400 - (5 \times 20) = 300 \text{ mm}$$

$$W_{B,ef} = 15.75 - (5 \times 0.79) = 11.8 \text{ in}$$

Note sprocket must not be placed inline with rollers.

Coefficient of friction between belt and conveyed product in accumulation mode  $\mu_{acc} = 0.04$ , i.e. the accumulation pressure is approx. 4% of the weight of the backed up product.

All measurements and tolerances apply at 21 °C; for temperature deviations please see ProLink manual chapter 4.4 "Temperature influence".

All imperial dimensions (inches) are rounded off.

Note: Use of accessory in a belt may impact on the minimum design radii. Please see chapter 6.3 for further information.



MOVEMENT SYSTEMS

# LEGEND

| ① Series   |  |
|------------|--|
| S1 ... S18 |  |

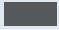
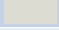



| ② Open area/Sprocket size      |  |
|--------------------------------|--|
| Percentage open area           |  |
| Format: xx                     |  |
| E.g. 20 = 20%                  |  |
| For sprockets: number of teeth |  |
| Format: "Z"xx                  |  |
| E.g. Z12 = 12 teeth            |  |

| ③ Surface pattern |                                       |
|-------------------|---------------------------------------|
| <b>BSL</b>        | Base module for slider                |
| <b>CTP</b>        | Cone top                              |
| <b>CUT</b>        | Curved top                            |
| <b>FLT</b>        | Flat top (smooth)                     |
| <b>FRT-OG</b>     | Friction top without High Grip insert |
| <b>FRT(X)</b>     | Friction top (Design X)               |
| <b>GRT</b>        | Grid top                              |
| <b>HDK</b>        | High Deck                             |
| <b>LRB</b>        | Lateral rib                           |
| <b>MOD</b>        | Modified module shape                 |
| <b>NCL</b>        | No cling                              |
| <b>NPY</b>        | Negative pyramid                      |
| <b>NSK</b>        | Non skid                              |
| <b>NSK2</b>       | Non skid, nonwoven variant            |
| <b>NTP</b>        | Nub top (round studs)                 |
| <b>PRR</b>        | Pin Retained Rollers                  |
| <b>RAT</b>        | Radius top                            |
| <b>RRB</b>        | Raised rib                            |
| <b>RSA</b>        | Reduced surface area                  |
| <b>RTP</b>        | Roller top                            |
| <b>SRS</b>        | Slip-resistant surface                |

| ④ Type     |                                   |
|------------|-----------------------------------|
| <b>BPU</b> | Bucket profile                    |
| <b>CAP</b> | Pin lock & belt edge sealing      |
| <b>CCW</b> | Counter clockwise                 |
| <b>CLP</b> | Clip                              |
| <b>CM</b>  | Center module                     |
| <b>CW</b>  | Clockwise                         |
| <b>FPL</b> | Finger plate                      |
| <b>HDT</b> | Hold Down Tab                     |
| <b>IDL</b> | Idler                             |
| <b>PIN</b> | Coupling rod                      |
| <b>PMC</b> | Profile module center             |
| <b>PMU</b> | Profile module universal          |
| <b>PSP</b> | ProSnap                           |
| <b>RI</b>  | High Grip insert                  |
| <b>RTR</b> | Retaining ring                    |
| <b>SG</b>  | Module with sideguard             |
| <b>SLI</b> | Slider                            |
| <b>SML</b> | Side module, left                 |
| <b>SMR</b> | Side module, right                |
| <b>SMU</b> | Side module, universal/both sides |
| <b>SPR</b> | Sprocket                          |
| <b>TPL</b> | Turning panel, left               |
| <b>TPR</b> | Turning panel, right              |
| <b>UM</b>  | Universal module                  |
| <b>WSC</b> | Wheel Stopper Center              |
| <b>WSS</b> | Wheel Stopper Side                |

| ⑥ Style               |                                  |
|-----------------------|----------------------------------|
| <b>1.7</b>            | 1.7 collapse factor              |
| <b>2.2</b>            | 2.2 collapse factor              |
| <b>2.2 G</b>          | 2.2 collapse factor, guided      |
| <b>A90</b>            | Angle 90° to conveying direction |
| <b>BT</b>             | Bearing tab                      |
| <b>DR</b>             | Double row sprocket              |
| <b>F1, F2, F3 ...</b> | Collapse factor modules          |
| <b>G</b>              | Guided                           |
| <b>GT</b>             | Guiding tabs                     |
| <b>HD</b>             | Hold Down                        |
| <b>Ixx</b>            | xx = indent in mm                |
| <b>RG</b>             | Reversed guided                  |
| <b>SG</b>             | Side guard                       |
| <b>SP</b>             | Split sprocket                   |
| <b>ST</b>             | Strong                           |

| ⑥ Material    |   |
|---------------|---|
| <b>PA</b>     | Polyamide                                     |
| <b>PA-HT</b>  | Polyamide high temperature                    |
| <b>PBT</b>    | Polybutylenterephthalate                      |
| <b>PE</b>     | Polyethylene                                  |
| <b>PE-MD</b>  | PE metal detectable                           |
| <b>PLX</b>    | Wear & impact improved polymer                |
| <b>POM</b>    | Polyoxymethylene (Polyacetal)                 |
| <b>POM-CR</b> | POM cut resistant                             |
| <b>POM-HC</b> | POM highly conductive                         |
| <b>POM-MD</b> | POM metal detectable                          |
| <b>POM-PE</b> | POM side modules + PE center modules          |
| <b>POM-PP</b> | POM side modules + PP center modules          |
| <b>PP</b>     | Polypropylene                                 |
| <b>PXX-HC</b> | Self-extinguishing highly conductive material |
| <b>R1</b>     | TPE 80 Shore A, PP                            |
| <b>R2</b>     | EPDM 80 Shore A, vulcanized                   |
| <b>R3</b>     | TPE 70 Shore A, POM                           |
| <b>R4</b>     | TPE 86 Shore A, PP                            |
| <b>R5</b>     | TPE 52 Shore A, PP                            |
| <b>R6</b>     | TPE 63 Shore A, POM                           |
| <b>R7</b>     | TPE 50 Shore A, PP                            |
| <b>R8</b>     | TPE 55 Shore A, PE                            |
| <b>SER</b>    | Self-extinguishing TPE                        |
| <b>SS</b>     | Stainless steel                               |
| <b>TPC1</b>   | Thermoplastic Copolyester                     |
| <b>-HA</b>    | Supports the HACCP concept                    |
| <b>-HW</b>    | High Wear resistant material                  |

| ⑦ Color*  |            |  |
|-----------|------------|--|
| <b>AT</b> | Anthracite |   |
| <b>BG</b> | Beige      |   |
| <b>BK</b> | Black      |   |
| <b>BL</b> | Blue       |   |
| <b>DB</b> | Dark blue  |   |
| <b>GN</b> | Green      |   |
| <b>LB</b> | Light blue |   |
| <b>LG</b> | Light gray |   |
| <b>OR</b> | Orange     |   |
| <b>RE</b> | Red        |   |
| <b>TQ</b> | Turquoise  |   |
| <b>UC</b> | Uncolored  |   |
| <b>WT</b> | White      |   |
| <b>YL</b> | Yellow     |  |

| ⑧ Height/Diameter/ Bore size and style   |  |
|--|--|
| Height in mm (in)                        |  |
| Format: Hxxx                             |  |
| Pin diameter in mm (in)                  |  |
| Format: Dxxx                             |  |
| Bore size: SQ (= square) or RD (= round) |  |
| either in mm or inches                   |  |
| Format: SQxxMM or RDxxIN                 |  |

| ⑨ Length/Width          |  |
|-------------------------|--|
| Pins Length in mm (in)  |  |
| Format: Lxxx            |  |
| Module width in mm (in) |  |
| Format: Wxxx            |  |

\* For each series' standard colors please refer to the table of materials for each belt (chapter 1.2). A number of other colors are available on request. Colors can vary from the original due to the print, production processes or material used.