

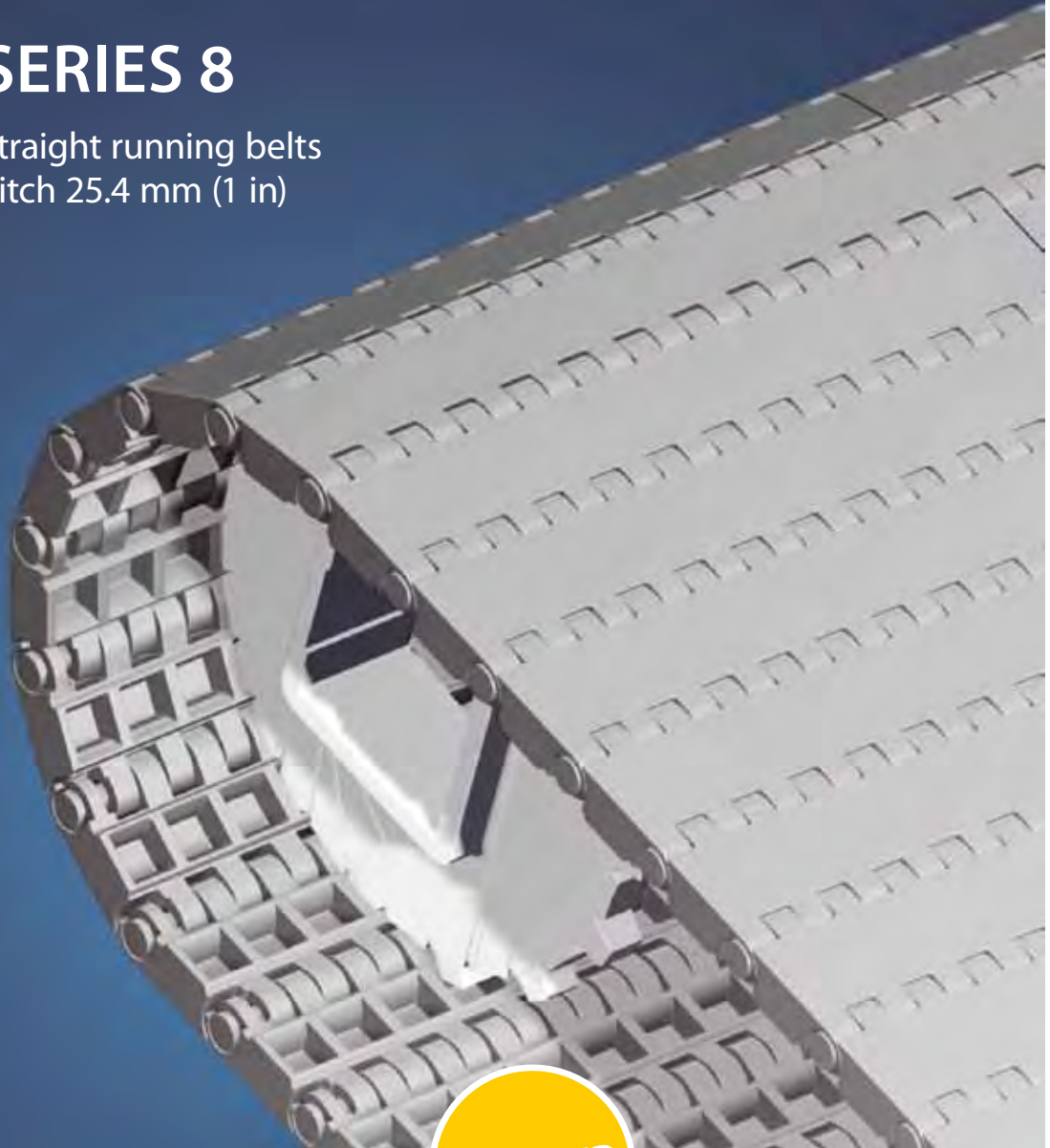
EXCERPT FROM PROLINK ENGINEERING MANUAL

02/18 (Ref-No. 888)

siegling prolink
modular belts

SERIES 8

Straight running belts
Pitch 25.4 mm (1 in)



PATENTED

Forbo Siegling GmbH
Lilienthalstraße 6/8, D-30179 Hannover
Phone +49 511 6704 0, Fax +49 511 6704 305
www.forbo-siegling.com, siegling@forbo.com

Ref. no. 888-2_1.2_S8

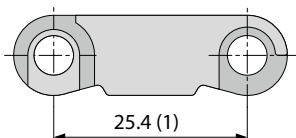
SERIES 8 | OVERVIEW

siegling prolink
modular belts

Straight running belts | Pitch 25.4 mm (1 in)

Belts for medium to heavy-duty applications

Side view scale 1:1



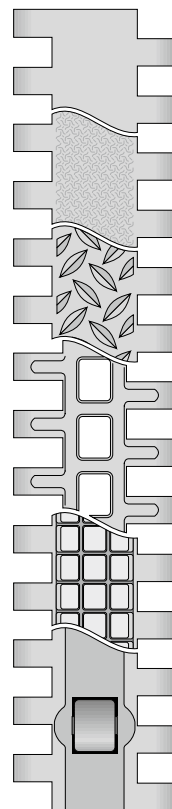
Design characteristics

- Closed hinge design provides high belt pull capacity
- Rigid module design makes belt suitable for long conveyors
- Robust design guarantees superior durability
- Closed solid edge design
- Flame retardant version available (PXX-HC – in line with DIN EN 13501-1)

Basic data

Pitch	25.4 mm (1 in)
Belt width min.	38.1 mm (1.5 in)
Width increments	12.7 mm (0.5 in)
Hinge pins	Made of plastic (PBT, PP) One-piece up to a belt width of 1200 mm (47 in)

Available surface pattern and opening area



S8-0 FLT

Closed, smooth surface

S8-0 SRS

Closed, slip-resistant surface

S8-0 NSK1/S8-0 NSK2

Closed surface with non-skid pattern

S8-25 RAT

Open (25 %) surface
with rounded contact surfaces

S8-0 FRT1

Closed surface with friction top

S8-0 RTP A90

Closed surface with roller top

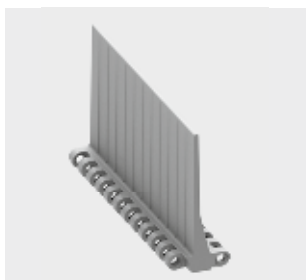
Sprockets

in different sizes with round or square sprocket bore



Profiles

in different heights and designs for inclines



Side guards

in different heights for retention of bulk products



Hold Down Tabs

Hold Down Tabs for additional guiding



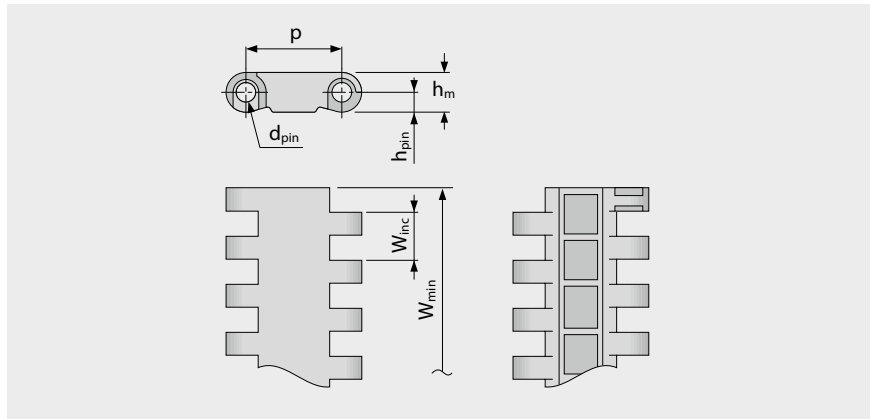
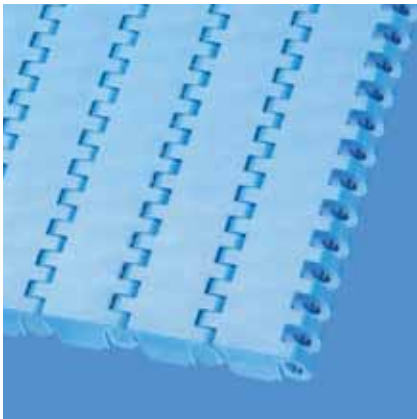
SERIES 8 | BELT TYPES

siegling prolink
modular belts

Straight running belt | Pitch 25.4 mm (1 in)

S8-0 FLT | 0% Opening | Flat top

Closed, smooth surface | Flat top surface



Belt dimensions

	p	d _{pin}	h _m	h _{pin}	h _s	W _{min}	W _{inc}	W _{tol}	Minimum flex radii ¹⁾				
	Pitch	Pin Ø	Thickness [mm]	Pin position [mm]	Height [mm]	Width min. [mm]	Width Increment [mm]	Width tolerance [%]	r1	r2	r3	r4	r5
mm	25.4	5.0	10.5	5.3	0.0	38.1	12.7	±0.2	–	25.4	50.8	76.2	25.4
inch	1.0	0.2	0.41	0.21	0.0	1.5	0.5	±0.2	–	1.0	2.0	3.0	1.0

Available standard materials⁴⁾

Belt		Pin		Nominal belt pull, straight		Weight		Width deviation	Temperature		Certificates	
Material	Color	Material	Color	[N/mm]	[lb/ft]	[kg/m ²]	[lb/ft ²]	[%]	[°C]	[°F]	FDA ²⁾	EU ³⁾
POM	BL	PBT	BL	40	2741	11.0	2.25	-0.31	-45/90	-49/194	●	●
POM-CR	AT	PBT	UC	40	2741	11.0	2.25	-0.31	-45/90	-49/194	–	–
PP	WT	PP	WT	20	1370	7.1	1.45	0.0	5/100	41/212	●	●
PP	LG	PP	WT	20	1370	7.1	1.45	0.0	5/100	41/212	●	●
PP	BL	PP	BL	20	1370	7.1	1.45	0.0	5/100	41/212	●	●
PXX-HC	BK	PBT	BL	20	1370	7.9	1.62	0.0	5/100	41/212	–	–

Made to order belts												
PA-HT	BK	PA-HT	BK	30	2056	10.7	2.19	1.49	-30/155	-22/311	–	–

■ AT (Anthracite), ■ BK (Black), ■ BL (Blue), ■ LG (Light gray), □ UC (Uncolored), □ WT (White)

All measurements and tolerances apply at 21 °C; for temperature deviations please see Prolink manual chapter 4.4 "Temperature influence".

All imperial dimensions (inches) are rounded off.

¹⁾ Flex radii: r1 = side flex, r2 = front flex on roller, r3 = back flex on load bearing roller, r4 = back flex on Hold Down shoe, r5 = back flex on roller

²⁾ Complies with FDA 21 CFR

³⁾ Complies with (EU) 10/2011 and (EC) 1935/2004 regulations regarding the raw materials used and the migration thresholds

⁴⁾ More materials and colors on request



MOVEMENT SYSTEMS

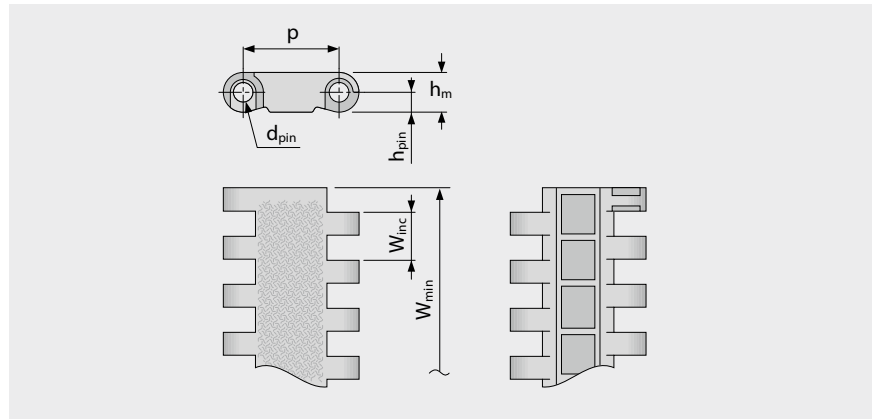
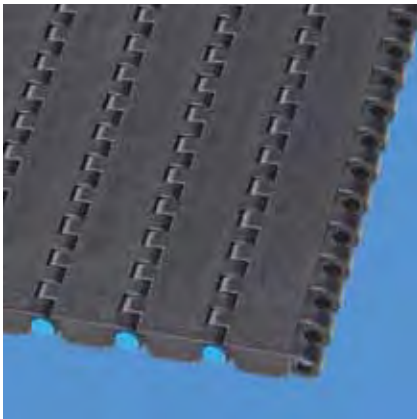
SERIES 8 | BELT TYPES

siegling prolink
modular belts

Straight running belt | Pitch 25.4 mm (1 in)

S8-0 SRS | 0% Opening | Slip-resistant surface

Closed surface | Slip-resistant surface, pleasant to walk and kneel on



Belt dimensions

	p	d _{pin}	h _m	h _{pin}	h _s	W _{min}	W _{inc}	W _{tol}	Minimum flex radii ¹⁾				
	Pitch	Pin Ø	Thickness [mm]	Pin position [mm]	Height [mm]	Width min. [mm]	Width Increment [mm]	Width tolerance [%]	r1	r2	r3	r4	r5
mm	25.4	5.0	10.5	5.3	0.0	38.1	12.7	±0.2	–	25.4	50.8	76.2	25.4
inch	1.0	0.2	0.41	0.21	0.0	1.5	0.5	±0.2	–	1.0	2.0	3.0	1.0

Available standard materials⁴⁾

Belt		Pin		Nominal belt pull, straight		Weight		Width deviation	Temperature		Certificates	
Material	Color	Material	Color	[N/mm]	[lb/ft]	[kg/m ²]	[lb/ft ²]	[%]	[°C]	[°F]	FDA ²⁾	EU ³⁾
POM-CR	AT	PBT	BL	40	2741	11.0	2.25	-0.31	-45/90	-49/194	–	–
POM-HC	AT	PBT	BL	40	2741	11.0	2.25	-0.31	-45/90	-49/194	–	–
PXX-HC	BK	PBT	BL	20	1370	7.9	1.62	0.0	5/100	41/212	–	–

■ AT (Anthracite), ■ BK (Black), ■ BL (Blue)

All measurements and tolerances apply at 21 °C; for temperature deviations please see Prolink manual chapter 4.4 "Temperature influence".

All imperial dimensions (inches) are rounded off.

¹⁾ Flex radii: r1 = side flex, r2 = front flex on roller, r3 = back flex on load bearing roller, r4 = back flex on Hold Down shoe, r5 = back flex on roller

²⁾ Complies with FDA 21 CFR

³⁾ Complies with (EU) 10/2011 and (EC) 1935/2004 regulations regarding the raw materials used and the migration thresholds

⁴⁾ More materials and colors on request



MOVEMENT SYSTEMS

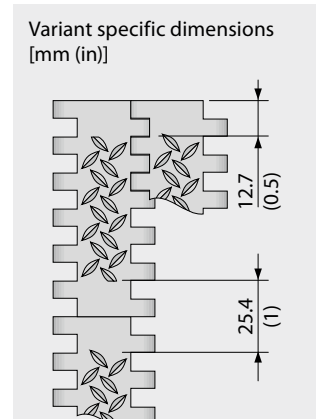
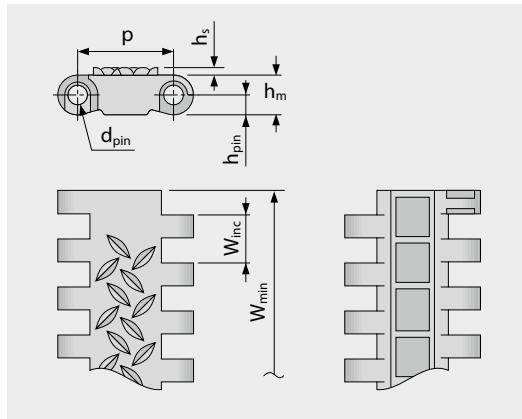
SERIES 8 | BELT TYPES

siegling prolink
modular belts

Straight running belt | Pitch 25.4 mm (1 in)

S8-0 NSK1 | 0% Opening | Non skid (Design 1)

Closed surface | Non-skid surface for increased safety when walking on belt | Flat top sections across the belt width for supporting the belt on the return



Belt dimensions

	p	d _{pin}	h _m	h _{pin}	h _s	W _{min}	W _{inc}	W _{tol}	Minimum flex radii ¹⁾				
	Pitch	Pin Ø	Thickness [mm]	Pin position [mm]	Height [mm]	Width min. [mm]	Width Increment [mm]	Width tolerance [%]	r1	r2	r3	r4	r5
mm	25.4	5.0	10.5	5.3	2.0	38.1	12.7	±0.2	–	25.4	50.8	76.2	25.4
inch	1.0	0.2	0.41	0.21	0.08	1.5	0.5	±0.2	–	1.0	2.0	3.0	1.0

Available standard materials⁴⁾

Belt		Pin		Nominal belt pull, straight		Weight		Width deviation	Temperature		Certificates	
Material	Color	Material	Color	[N/mm]	[lb/ft]	[kg/m ²]	[lb/ft ²]	[%]	[°C]	[°F]	FDA ²⁾	EU ³⁾
POM	BL	PBT	BL	40	2741	11.0	2.25	-0.31	-45/90	-49/194	●	●
PP	LG	PP	WT	20	1370	7.1	1.45	0.0	5/100	41/212	●	●
PXX-HC	BK	PBT	BL	20	1370	7.9	1.62	0.0	5/100	41/212	–	–

■ BK (Black), ■ BL (Blue), ■ LG (Light gray), □ WT (White)

All measurements and tolerances apply at 21 °C; for temperature deviations please see ProLink manual chapter 4.4 "Temperature influence".

All imperial dimensions (inches) are rounded off.

¹⁾ Flex radii: r1 = side flex, r2 = front flex on roller, r3 = back flex on load bearing roller, r4 = back flex on Hold Down shoe, r5 = back flex on roller

²⁾ Complies with FDA 21 CFR

³⁾ Complies with (EU) 10/2011 and (EC) 1935/2004 regulations regarding the raw materials used and the migration thresholds

⁴⁾ More materials and colors on request



MOVEMENT SYSTEMS

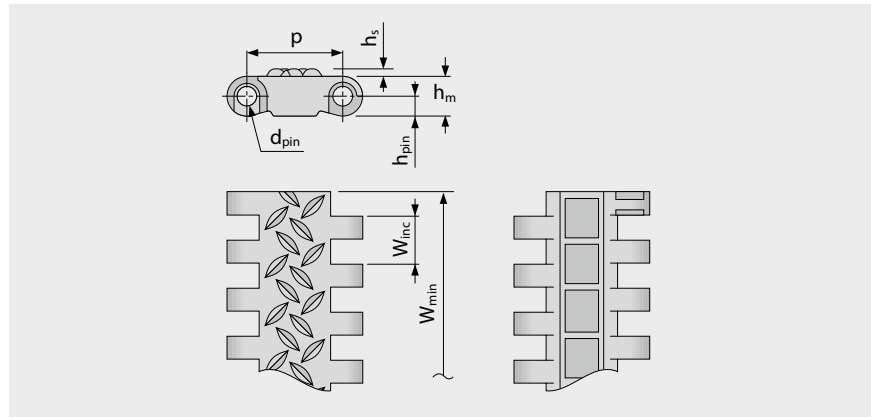
SERIES 8 | BELT TYPES

siegling prolink
modular belts

Straight running belt | Pitch 25.4 mm (1 in)

S8-0 NSK2 | 0% Opening | Non skid (Design 2)

Closed surface | Non-skid surface for increased safety when walking on belt | Closed hinges | Uninterrupted NSK-structure across the full belt width



Belt dimensions

	p	d _{pin}	h _m	h _{pin}	h _s	W _{min}	W _{inc}	W _{tol}	Minimum flex radii ¹⁾				
	Pitch	Pin Ø	Thickness [mm]	Pin position [mm]	Height [mm]	Width min. [mm]	Width Increment [mm]	Width tolerance [%]	r1	r2	r3	r4	r5
mm	25.4	5.0	10.5	5.3	2.0	38.1	12.7	±0.2	–	25.4	50.8	76.2	25.4
inch	1.0	0.2	0.41	0.21	0.08	1.5	0.5	±0.2	–	1.0	2.0	3.0	1.0

Available standard materials⁴⁾

Belt		Pin		Nominal belt pull, straight		Weight		Width deviation	Temperature		Certificates	
Material	Color	Material	Color	[N/mm]	[lb/ft]	[kg/m ²]	[lb/ft ²]	[%]	[°C]	[°F]	FDA ²⁾	EU ³⁾
PP	LG	PP	WT	20	1370	7.1	1.45	0.0	5/100	41/212	●	●

■ LG (Light gray), □ WT (White)

All measurements and tolerances apply at 21 °C; for temperature deviations please see Prolink manual chapter 4.4 "Temperature influence".
All imperial dimensions (inches) are rounded off.

¹⁾ Flex radii: r1 = side flex, r2 = front flex on roller, r3 = back flex on load bearing roller, r4 = back flex on Hold Down shoe, r5 = back flex on roller

²⁾ Complies with FDA 21 CFR

³⁾ Complies with (EU) 10/2011 and (EC) 1935/2004 regulations regarding the raw materials used and the migration thresholds

⁴⁾ More materials and colors on request



MOVEMENT SYSTEMS

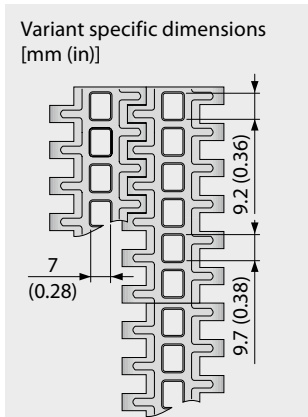
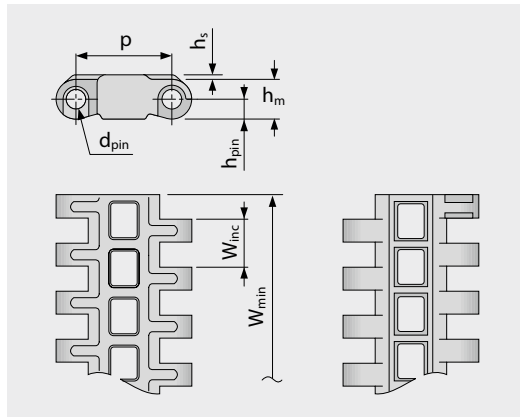
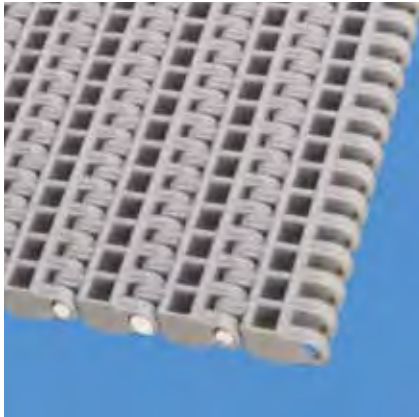
SERIES 8 | BELT TYPES

siegling prolink
modular belts

Straight running belt | Pitch 25.4 mm (1 in)

S8-25 RAT | 25 % Opening | Radius top

Open area (25 %) with rounded contact surfaces | Radius top belt surface ensures minimum product contact and good release characteristics



Belt dimensions

	p	d _{pin}	h _m	h _{pin}	h _s	W _{min}	W _{inc}	W _{tol}	Minimum flex radii ¹⁾				
	Pitch	Pin Ø	Thickness [mm]	Pin position [mm]	Height [mm]	Width min. [mm]	Width Increment [mm]	Width tolerance [%]	r1	r2	r3	r4	r5
mm	25.4	5.0	10.5	5.3	2.0	38.1	12.7	±0.2	–	25.4	50.8	76.2	25.4
inch	1.0	0.2	0.41	0.21	0.08	1.5	0.5	±0.2	–	1.0	2.0	3.0	1.0

Available standard materials⁴⁾

Belt		Pin		Nominal belt pull, straight		Weight		Width deviation	Temperature		Certificates	
Material	Color	Material	Color	[N/mm]	[lb/ft]	[kg/m ²]	[lb/ft ²]	[%]	[°C]	[°F]	FDA ²⁾	EU ³⁾
POM	BL	PBT	BL	40	2741	9.7	1.99	-0.61	-45/90	-49/194	●	●
PP	LG	PP	WT	20	1370	6.4	1.31	0.0	5/100	41/212	●	●
PP	BL	PP	BL	20	1370	6.4	1.31	0.0	5/100	41/212	●	●
PA-HT	BK	PA-HT	BK	30	2056	9.8	2.01	1.53	-30/155	-22/311	–	–

Made to order belts

PE		PE		15	1028	6.7	1.37	-0.31	-70/65	-94/149	–	–
----	--	----	--	----	------	-----	------	-------	--------	---------	---	---

■ BK (Black), ■ BL (Blue), ■ LG (Light gray), □ WT (White)

All measurements and tolerances apply at 21 °C; for temperature deviations please see Prolink manual chapter 4.4 "Temperature influence".

All imperial dimensions (inches) are rounded off.

¹⁾ Flex radii: r1 = side flex, r2 = front flex on roller, r3 = back flex on load bearing roller, r4 = back flex on Hold Down shoe, r5 = back flex on roller

²⁾ Complies with FDA 21 CFR

³⁾ Complies with (EU) 10/2011 and (EC) 1935/2004 regulations regarding the raw materials used and the migration thresholds

⁴⁾ More materials and colors on request



MOVEMENT SYSTEMS

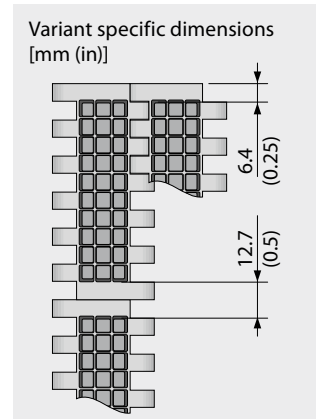
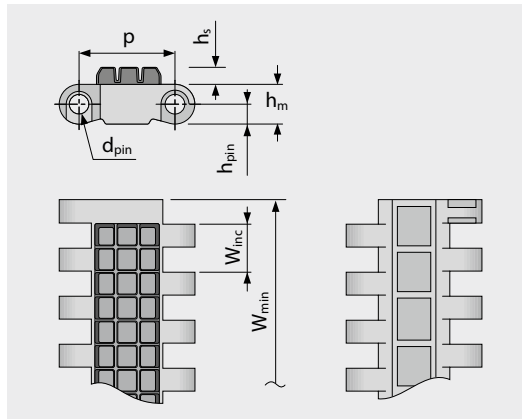
SERIES 8 | BELT TYPES

siegling prolink
modular belts

Straight running belt | Pitch 25.4 mm (1 in)

S8-0 FRT1 | 0% Opening | Friction top surface (Design 1)

Closed surface | Friction top with cube-shaped High Grip pads | Grooves inbetween to improve flexibility and to channel dirt away from the friction surface | Closed hinges



Belt dimensions

	p	d _{pin}	h _m	h _{pin}	h _s	W _{min}	W _{inc}	W _{tol}	Minimum flex radii ³⁾				
	Pitch	Pin Ø	Thickness [mm]	Pin position [mm]	Height [mm]	Width min. [mm]	Width Increment [mm]	Width tolerance [%]	r1	r2	r3	r4	r5
mm	25.4	5.0	10.5	5.3	4.5	76.2	76.2	±0.2	–	25.4	50.8	76.2	25.4
inch	1.0	0.2	0.41	0.21	0.18	3.0	3.0	±0.2	–	1.0	2.0	3.0	1.0

Available standard materials⁴⁾

Belt		Pin		Rubber		Nominal belt pull, straight		Weight		Width deviation	Temperature		Certificates	
Material	Color	Material	Color	material	color	[N/mm]	[lb/ft]	[kg/m ²]	[lb/ft ²]	[%]	[°C]	[°F]	FDA ²⁾	EU ³⁾
POM	BL	PBT	BL	R6	BK	40	2741	17.7	3.63	-0.31	-45/90	-49/194	–	–
PP	LG	PP	WT	R7	BK	20	1370	12.6	2.58	0.0	5/100	41/212	●	●

Made to order belts

PP	BL	PP	BL	R7	BG	20	1370	12.6	2.58	0.0	5/100	41/212	●	●
----	----	----	----	----	----	----	------	------	------	-----	-------	--------	---	---

■ BG (Beige), ■ BK (Black), ■ BL (Blue), ■ LG (Light gray), □ WT (White)

All measurements and tolerances apply at 21 °C; for temperature deviations please see Prolink manual chapter 4.4 "Temperature influence".

All imperial dimensions (inches) are rounded off.

¹⁾ Flex radii: r1 = side flex, r2 = front flex on roller, r3 = back flex on load bearing roller, r4 = back flex on Hold Down shoe, r5 = back flex on roller

²⁾ Complies with FDA 21 CFR

³⁾ Complies with (EU) 10/2011 and (EC) 1935/2004 regulations regarding the raw materials used and the migration thresholds

⁴⁾ More materials and colors on request



MOVEMENT SYSTEMS

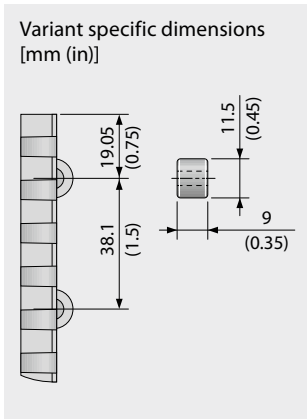
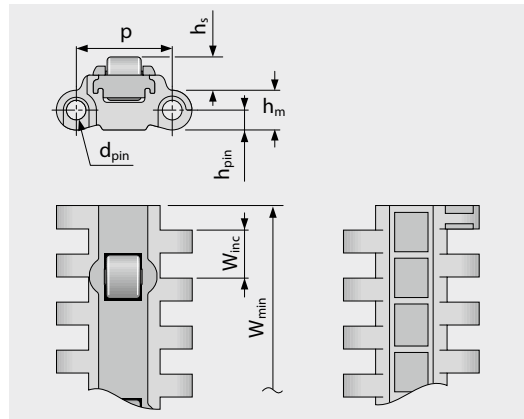
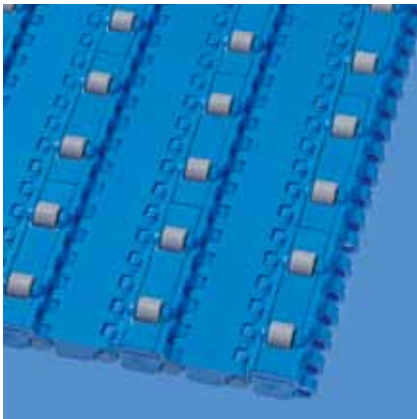
SERIES 8 | BELT TYPES

siegling prolink
modular belts

Straight running belt | Pitch 25.4 mm (1 in)

S8-0 RTP A90 | 0% Opening | Roller top · A90

Closed surface with roller top at 90° to the direction of travel | version for low-friction merging of products lateral

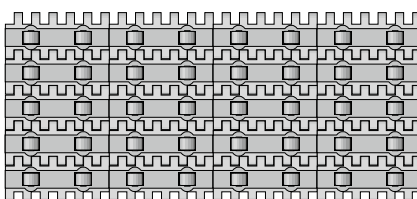


Belt dimensions

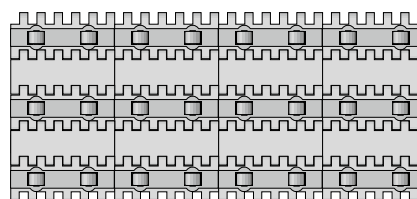
	p	d _{pin}	h _m	h _{pin}	h _s	W _{min}	W _{inc}	W _{tol}	Minimum flex radii ¹⁾				
	Pitch	Pin Ø	Thickness [mm]	Pin position [mm]	Height [mm]	Width min. [mm]	Width Increment [mm]	Width tolerance [%]	r1	r2	r3	r4	r5
mm	25.4	5.0	10.5	5.3	8.8	228.6	76.2	±0.2	–	25.4	50.8	76.2	25.4
inch	1.0	0.2	0.41	0.21	0.35	9.0	3.0	±0.2	–	1.0	2.0	3.0	1.0

Available standard materials⁴⁾

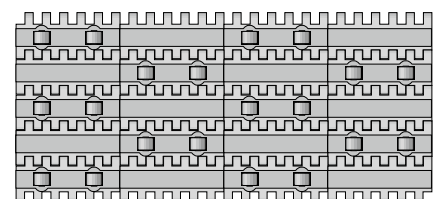
Belt		Pin		Nominal belt pull, straight		Weight		Width deviation [%]	Temperature		Certificates	
Material	Color	Material	Color	[N/mm]	[lb/ft]	[kg/m ²]	[lb/ft ²]		[°C]	[°F]	FDA ²⁾	EU ³⁾
POM	BL	PBT	BL	20	1370	14.3	2.93	-0.31	-45/90	-49/194	●	●



Standard configuration



Configuration 1



Configuration 2

■ BL (Blue)

All measurements and tolerances apply at 21 °C; for temperature deviations please see ProLink manual chapter 4.4 "Temperature influence".

All imperial dimensions (inches) are rounded off.

¹⁾ Flex radii: r1 = side flex, r2 = front flex on roller, r3 = back flex on load bearing roller, r4 = back flex on Hold Down shoe, r5 = back flex on roller

²⁾ Complies with FDA 21 CFR

³⁾ Complies with (EU) 10/2011 and (EC) 1935/2004 regulations regarding the raw materials used and the migration thresholds

⁴⁾ More materials and colors on request



MOVEMENT SYSTEMS

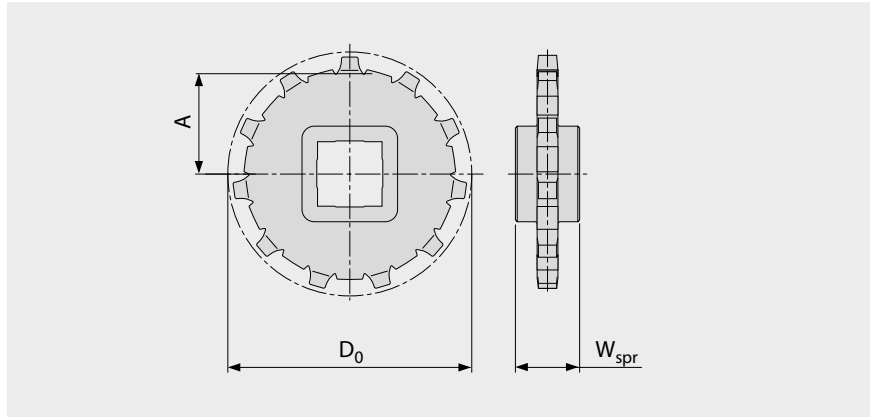
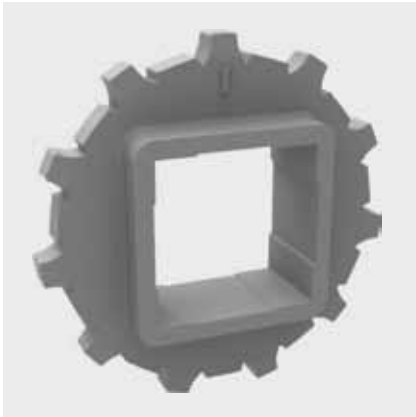
SERIES 8 | SPROCKETS

siegling prolink
modular belts

Straight running belt | Pitch 25.4 mm (1 in)

S8 SPR | Sprockets

Deep tooth engagement for heavy loads



Main dimensions

Sprocket size (Number of teeth)		Z11	Z12	Z15	Z18	Z19
W _{spr}	mm	25	25	25	25	25
	inch	0.98	0.98	0.98	0.98	0.98
D ₀	mm	90	98	122	146	154
	inch	3.55	3.86	4.81	5.76	6.08
A _{max}	mm	40	44	56	68	72
	inch	1.57	1.73	2.20	2.67	2.83
A _{min}	mm	38	42	55	67	71
	inch	1.50	1.67	2.15	2.63	2.79

Shaft bores (● = Round, ■ = Square)

30	mm	●		●		
40	mm	■	■	●/■		■
60	mm			■		■
80	mm					■
1	inch		●			●
1.25	inch		●			●
1.5	inch	●/■	■	■		■
2	inch				●	
2.5	inch					■

Material: PA, Color: LG

■ LG (Light gray)

All measurements and tolerances apply at 21 °C; for temperature deviations please see Prolink manual chapter 4.4 "Temperature influence". All imperial dimensions (inches) are rounded off.



MOVEMENT SYSTEMS

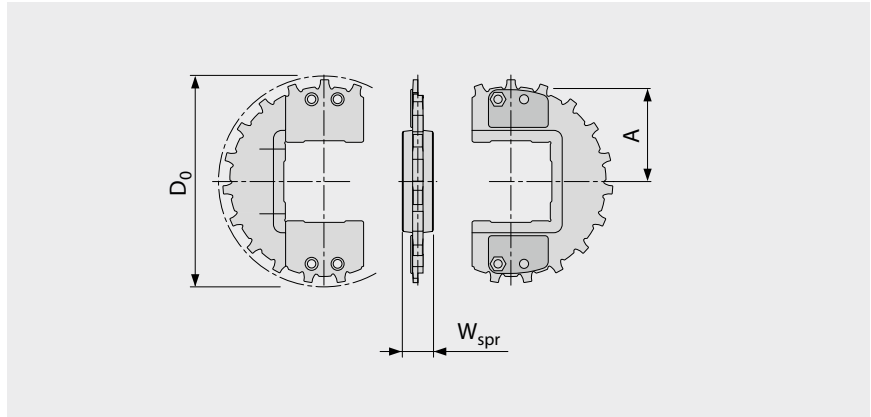
SERIES 8 | SPLIT SPROCKETS

siegling prolink
modular belts

Straight running belt | Pitch 25.4 mm (1 in)

S8 SPR-SP | Split Sprockets

Easy assembly without dismounting shaft | Deep tooth engagement for heavy loads



Main dimensions

Sprocket size (Number of teeth)		Z12	Z16	Z19
W _{spr}	mm	25	25	25
	inch	0.98	0.98	0.98
D ₀	mm	98	130	154
	inch	3.86	5.13	6.08
A _{max}	mm	44	60	72
	inch	1.73	2.36	2.83
A _{min}	mm	42	59	71
	inch	1.67	2.31	2.79

Shaft bores (● = Round, ■ = Square)

40	mm	■	●/■	●/■
60	mm		●/■	●/■
1.5	inch		●/■	●/■
2.5	inch		●/■	●/■

Material: PA, Color: LG

■ LG (Light gray)

All measurements and tolerances apply at 21 °C; for temperature deviations please see Prolink manual chapter 4.4 "Temperature influence".
All imperial dimensions (inches) are rounded off.



MOVEMENT SYSTEMS

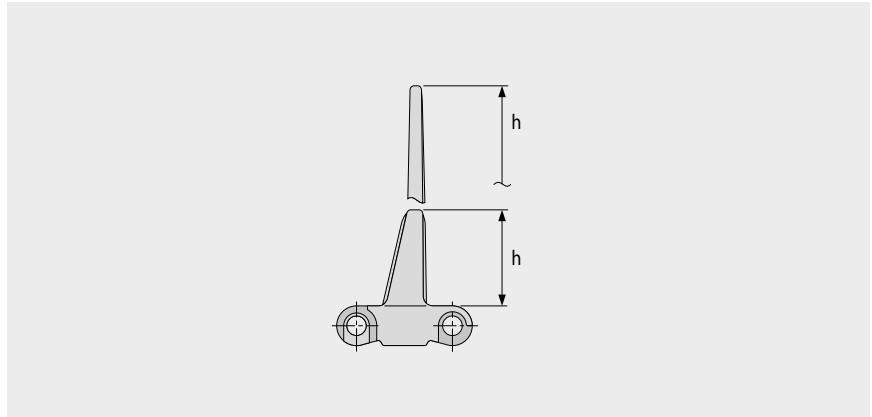
SERIES 8 | PROFILES

siegling prolink
modular belts

Straight running belt | Pitch 25.4 mm (1 in)

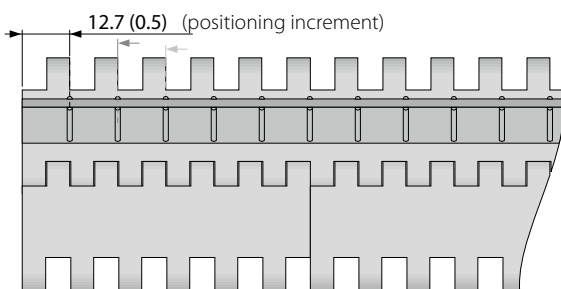
S8-0 FLT PMU

Profiles with reinforced base to handle high loads



Basic data

Type	Material	Color	Height (h)	
			25.4 mm 1 inch	76 mm 3 inch
S8-0 FLT PMU	POM	BL	●	●
	POM-CR	AT	●	●
	PP	BL	●	●
		LG	●	●
		WT	●	●



■ AT (Anthracite), ■ BL (Blue), ■ LG (Light gray), □ WT (White)

All measurements and tolerances apply at 21 °C; for temperature deviations please see Prolink manual chapter 4.4 "Temperature influence".

All imperial dimensions (inches) are rounded off.

Note: Use of accessory in a belt may impact on the minimum design radii. Please see chapter 6.3 for further information.



MOVEMENT SYSTEMS

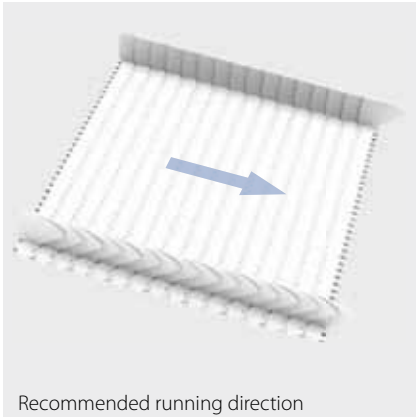
SERIES 8 | SIDE GUARDS

siegling prolink
modular belts

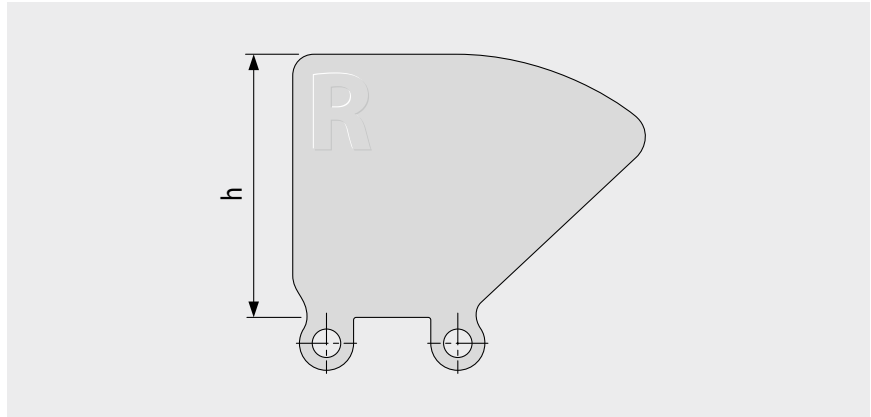
Straight running belt | Pitch 25.4 mm (1 in)

S8 SG | Side guards

For retention of bulk products (for S8-0 FLT only)

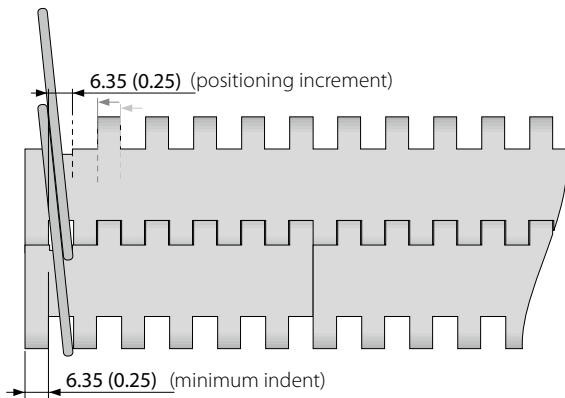


Recommended running direction



Basic data

Material	Color	Height (h)			
		25 mm 1 inch	50 mm 2 inch	75 mm 3 inch	100 mm 4 inch
PE	LB	●	●	●	●
	WT	●	●	●	●
PE-MD	BL	●	●		
PP	LB	●	●	●	●
	WT	●	●	●	●



■ BL (Blue), ■ LB (Light blue), □ WT (White)

All measurements and tolerances apply at 21 °C; for temperature deviations please see Prolink manual chapter 4.4 "Temperature influence".

All imperial dimensions (inches) are rounded off.

Note: Use of accessory in a belt may impact on the minimum design radii. Please see chapter 6.3 for further information.



MOVEMENT SYSTEMS

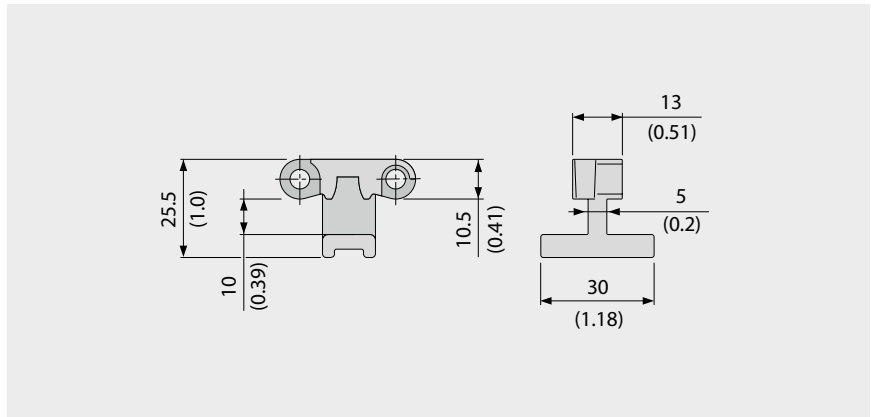
SERIES 8 | HOLD DOWN TABS

siegling prolink
modular belts

Straight running belt | Pitch 25.4 mm (1 in)

S8 HDT | Hold Down Tabs

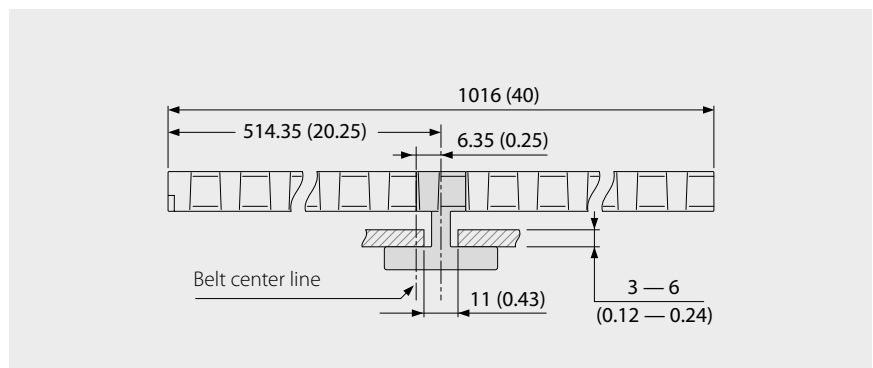
Used on wider belts to prevent lift on swan neck conveyors | To improve strength, stability and cleanability they are moulded on a narrow module



Basic data

Material	Color
POM	BL

Example



Using Hold Down Tabs results in constraints with regards to sprocket and shaft size to ensure sufficient clearance to the shaft.

Sprocket options using HDT

Sprocket size (Number of teeth)	Maximum bore round		Maximum bore square	
	[mm]	[inch]	[mm]	[inch]
Z11	40	1.5	30	1.25
Z12	45	1.75	35	1.5
Z15	70	2.75	55	2.0
Z18	95	3.5	70	2.75
Z19	100	3.75	75	3.0

■ BL (Blue)

All measurements and tolerances apply at 21 °C; for temperature deviations please see Prolink manual chapter 4.4 "Temperature influence". All imperial dimensions (inches) are rounded off.

Note: Use of accessory in a belt may impact on the minimum design radii. Please see chapter 6.3 for further information.



MOVEMENT SYSTEMS

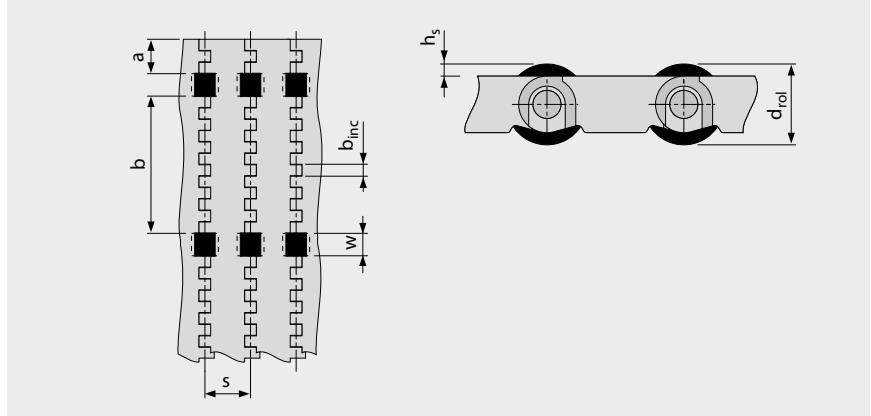
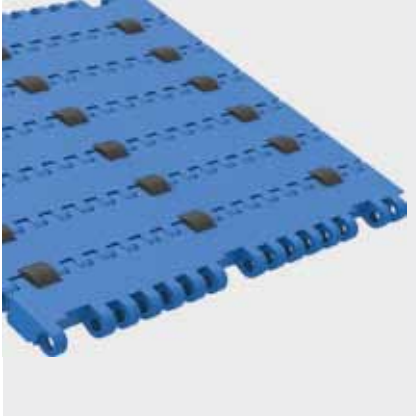
SERIES 8 | PRR

siegling prolink
modular belts

Straight running belt | Pitch 25.4 mm (1 in)

S8 PRR | Pin Retained Rollers

For applications where low back pressure accumulation or product separation is required



- For low back pressure wearstrips are to be positioned between the rollers
- For product separation the wearstrips are to be positioned below the rollers
- For all materials and surfaces
- Rollers available in POM BK

Dimensions

w	12.7 (0.5)	Roller cut out width (roller width 12 mm (0.47 in))
h _s	2.25 (0.9)	Height of rollers above surface
d _{rol}	15 (0.59)	Roller diameter
a	19.1 (0.8)	Minimum indent
b	76.2 (3.0)	Standard distance between rollers across belt width
b _{inc}	6.35 (0.25)	Roller distance increment
s	25.4 (1.0)	Standard roller spacing in travel direction (every pitch)
n _{rol}		Number of rollers across belt width
W _B		Belt width

Allowable belt pull

To determine admissible belt pull calculate effective belt width $W_{B,ef}$ by

$$W_{B,ef} = W_B - (w \times n_{rol})$$

Example: $W_B = 228.6 \text{ mm (9.0 in)}$; $A = 12.7 \text{ mm (0.5 in)}$; $l = 3$

$$W_{B,ef} = 228.6 - (3 \times 12.7) = 190.5 \text{ mm}$$

$$W_{B,ef} = 9.0 - (3 \times 0.5) = 7.5 \text{ in}$$

Note sprocket must not be placed inline with rollers.

Coefficient of friction between belt and conveyed product in accumulation mode $\mu_{acc} = 0.04$, i.e. the accumulation pressure is approx. 4% of the weight of the backed up product.

All measurements and tolerances apply at 21 °C; for temperature deviations please see Prolink manual chapter 4.4 "Temperature influence".

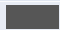








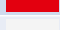
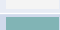
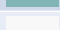
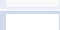
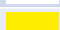

All imperial dimensions (inches) are rounded off.

Note: Use of accessory in a belt may impact on the minimum design radii. Please see chapter 6.3 for further information.



MOVEMENT SYSTEMS

LEGEND

① Series		④ Type		⑥ Material		⑦ Color*	
S1 ... S14		A90	Angle 90° to conveying direction	PA	Polyamide	AT	Anthracite 
② Open area/Sprocket size		CM	Center module	PA-HT	Polyamide high temperature	BL	Blue 
Percentage open area		SML	Side module, left	PBT	Polybutylentere-phthalate	BG	Beige 
Format: xx		SMR	Side module, right	PE	Polyethylene	BK	Black 
E.g. 20 = 20%		SMU	Side module, universal/both sides	PE-MD	PE metal detectable	DB	Dark blue 
For sprockets: number of teeth		UM	Universal module	POM	Polyoxymethylene (Polyacetal)	GN	Green 
Format: "Z"xx		PMC	Profile module center	POM-CR	POM cut resistant	LB	Light blue 
E.g. Z12 = 12 teeth		PMU	Profile module universal	POM-HC	POM highly conductive	LG	Light gray 
③ Surface pattern		PMU lxx	Profile module universal with indent xx = indent in mm	POM-MD	POM metal detectable	OR	Orange 
BSL	Base module for slider	CLP	Clip	PP	Polypropylene	RE	Red 
CTP	Cone top	IDL	Idler	PXX-HC	Self-extinguishing highly conductive material	TR	Transparent 
FLT	Flat top (smooth)	RI	High Grip insert	POM-PE	POM side modules + PE center modules	TQ	Turquoise 
FRT(X)	Friction top (Design X)	SG	Module with sideguard	POM-PP	POM side modules + PP center modules	UC	Uncolored 
FRT-OG	FRT without High Grip insert	PIN	Coupling rod	R1	TPE 80 Shore A, PP	WT	White 
GRT	Grid top	FPL	Finger plate	R2	EPDM 80 Shore A, vulcanized	YL	Yellow 
LRB	Lateral rib	SLI	Slider	R3	TPE 70 Shore A, PP	⑧ Height/Diameter/ Bore size and style	
MOD	Modified module shape	SPR	Sprocket	R4	TPE 86 Shore A, PP	Height in mm Format: Hxxx	
NCL	No cling	RTR	Retaining ring	R5	TPE 52 Shore A, PP	Pin diameter in mm Format: Dxxx	
NPY	Inverted pyramid	TPL	Turning panel, left	R6	TPE 63 Shore A, POM	Bore size: SQ (= square) or RD (= round) either in mm or inches Format: SQxxMM or RDxxIN	
NSK	Non skid	TPR	Turning panel, right	R7	TPE 50 Shore A, PP	⑨ Length/Width	
NTP	Nub top (round studs)	CW	Clockwise	R8	TPE 55 Shore A, PE	Pins Length in mm Format: Lxxx	
RAT	Radius top	CCW	Counterclockwise	SER	Self-extinguishing TPE	Module width in mm Format: Wxxx	
RTP	Roller top	⑤ Style		SS	Stainless steel		
RRB	Raised rib	BT	Bearing tap	TPC1	Thermoplastic Copolyester		
SRS	Slip-resistant surface	G	Guided	HA	Supports the HACCP concept		
		RG	Reversed guided	HW	High Wear resistant material		
		SG	Side guard				
		ST	Strong (S5)				
		DR	Double row sprocket				
		SP	Split sprocket				
		F1, F2, F3 ...	Collapse factor modules				
		HD	Hold Down				

* For each series' standard colors please refer to the table of materials for each belt (chapter 1.2). A number of other colors are available on request. Colors can vary from the original due to the print, production processes or material used.