

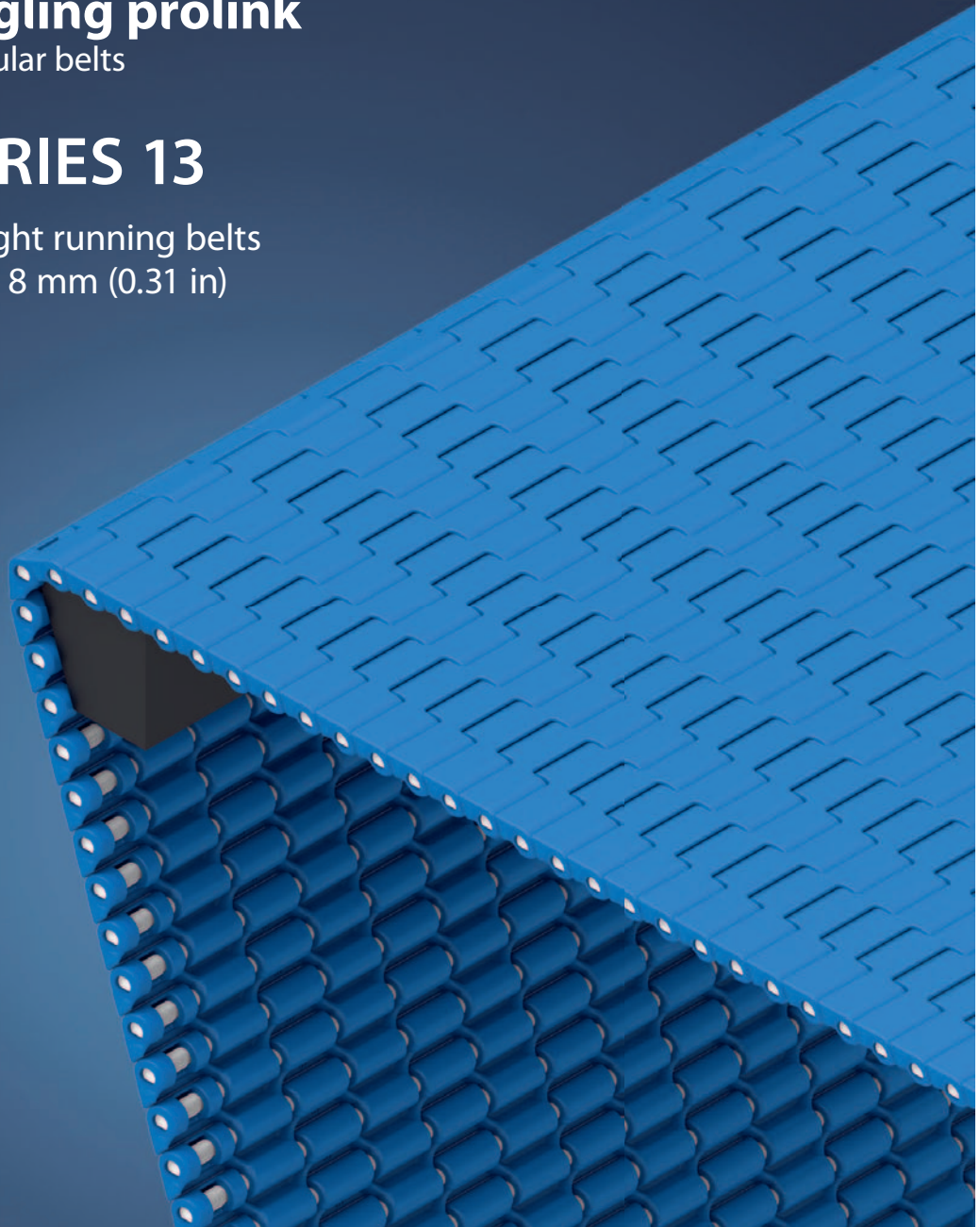
EXCERPT FROM PROLINK ENGINEERING MANUAL

01/20 (Ref-No. 888)

siegling prolink
modular belts

SERIES 13

Straight running belts
Pitch 8 mm (0.31 in)



Forbo Siegling GmbH
Lilienthalstraße 6/8, D-30179 Hannover
Phone +49 511 6704 0
www.forbo-siegling.com, siegling@forbo.com

Ref. no. 888-2_1.2_S13

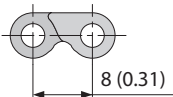
SERIES 13 | OVERVIEW

siegling prolink
modular belts

Straight running belts | Pitch 8 mm (0.31 in)

Belts for light-duty food and non-food nose bar applications

Side view scale 1:1



Design characteristics

- Micro pitch belt with small transfer gaps
- Designed to run over nosebars/knife edges or rollers with a radius down to 3 mm (0.12 in) allowing, precise transfer of even the smallest products
- Versatile for conveying, drying and cooling applications
- Optimal design of sprocket teeth, and belt underside provides superior sprocket engagement, safe belt tracking and favorable cleanability
- Belt and sprocket design ensures superior load transmission and belt pull capacity
- Headless pin making it very easy to install and remove the belt for maintenance

Basic data

Pitch	8 mm (0.31 in)
Belt width min.	102 mm (4 in)
Width increments	25.4 mm (1 in)
Hinge pins	3 mm (0.12 in) made of plastic (PBT)

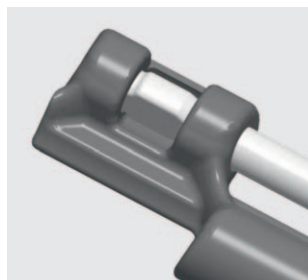
Sprockets

In different sizes with round or square sprocket bore

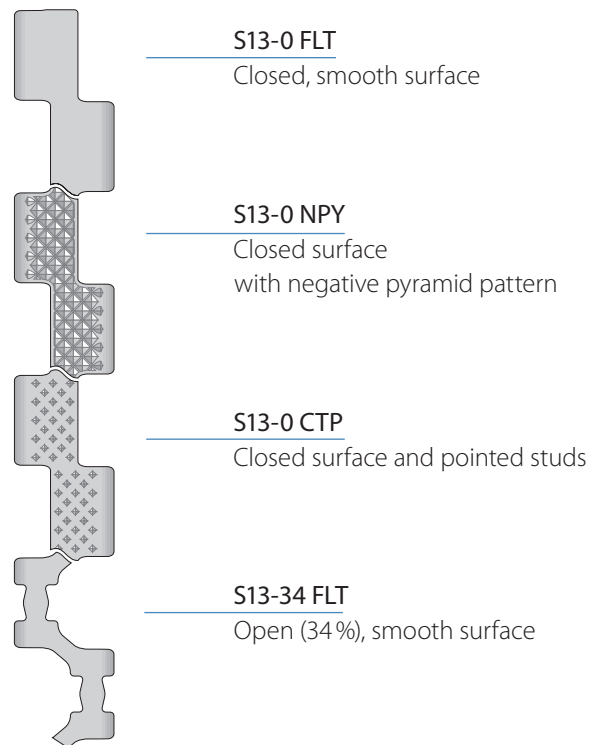


Detail hinge pin

Headless pin with unique shoulder design ensures trouble free installation, maintenance and a secure pin retention



Available surface pattern and opening area

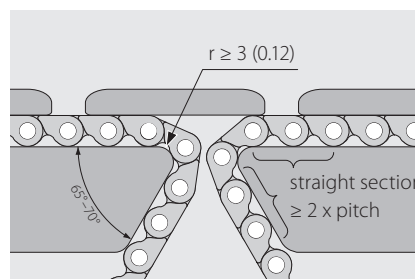


Certified

NSF-compliant from these certified Forbo plants:
Huntersville (USA), Malacky (Slovakia), NSW (Australia),
Tlalnepantla (Mexico), Saint-Petersburg (Russia),
Shizuoka (Japan), Maharashtra (India)

Detail nose bar

Narrow transfer gap ensures smooth transfer of small and delicate products



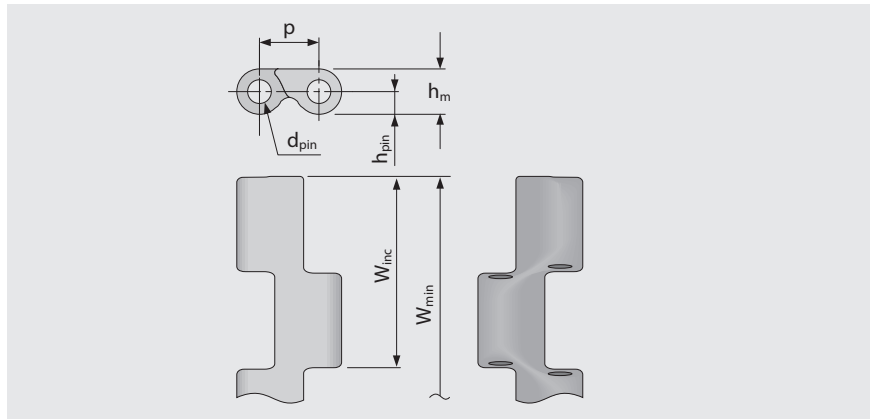
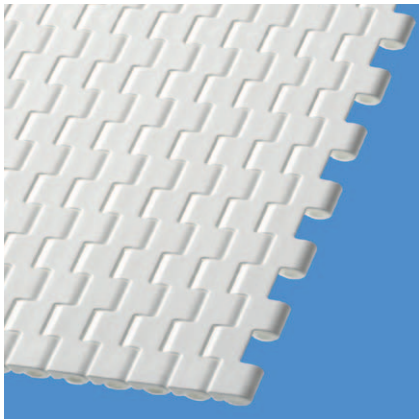
SERIES 13 | BELT TYPES

siegling prolink
modular belts

Straight running belt | Pitch 8 mm (0.31 in)

S13-0 FLT | 0% Opening | Flat top

Closed, smooth surface | Flat top surface



Belt dimensions

	p	d _{pin}	h _m	h _{pin}	h _s	W _{min}	W _{inc}	W _{tol}	Minimum flex radii ¹⁾				
	Pitch	Pin Ø	Thickness [mm]	Pin position [mm]	Height [mm]	Width min. [mm]	Width Increment [mm]	Width tolerance [%]	r1	r2	r3	r4	r5
mm	8.0	3.0	6.0	3.0	0.0	101.6	25.4	±0.2	–	3.0	16.0	24.0	8.0
inch	0.31	0.12	0.24	0.12	0.0	4.02	1.0	±0.2	–	0.12	0.63	0.94	0.31

Available standard materials⁴⁾

Belt		Pin		Nominal belt pull, straight		Weight		Width deviation	Temperature		Certificates	
Material	Color	Material	Color	[N/mm]	[lb/ft]	[kg/m ²]	[lb/ft ²]	[%]	[°C]	[°F]	FDA ²⁾	EU ³⁾
POM	WT	PBT	UC	4	274	5.9	1.21	0.23	-45/90	-49/194	●	●
POM	BL	PBT	UC	4	274	5.9	1.21	0.23	-45/90	-49/194	●	●
PA*	BL	PBT	UC	4	274	5.1	1.04	1.38	-40/120	-40/248	●	●

Mold to order belts

PA*	LG	PBT	UC	4	274	5.1	1.04	1.38	-40/120	-40/248	●	●
PXX-HC	BK	PBT	UC	2	137	5.2	1.07	0.89	5/100	41/212	–	–

Mold to width available in: 305 mm (12.0 in)

* Values valid for dry applications (RH < 50%). Belts in PA material will absorb water in wet environments, causing them to expand and reduce the nominal belt pull capacity.

■ BK (Black), ■ BL (Blue), ■ LG (Light gray), □ UC (Uncolored), □ WT (White)

All measurements and tolerances apply at 21 °C; for temperature deviations please see Prolink manual chapter 4.4 "Temperature influence".

All imperial dimensions (inches) are rounded off.

¹⁾ Flex radii: r1 = side flex, r2 = front flex on roller, r3 = back flex on load bearing roller, r4 = back flex on Hold Down shoe, r5 = back flex on roller

²⁾ Complies with FDA 21 CFR

³⁾ Complies with (EU) 10/2011 and (EC) 1935/2004 regulations regarding the raw materials used and the migration thresholds

⁴⁾ More materials and colors on request



MOVEMENT SYSTEMS

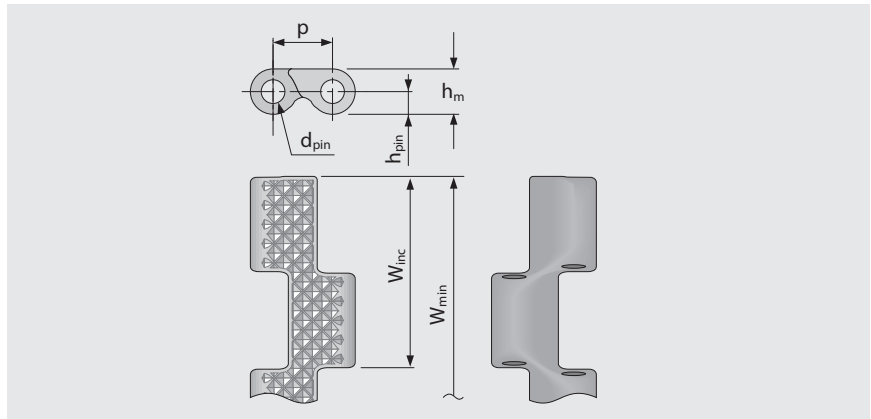
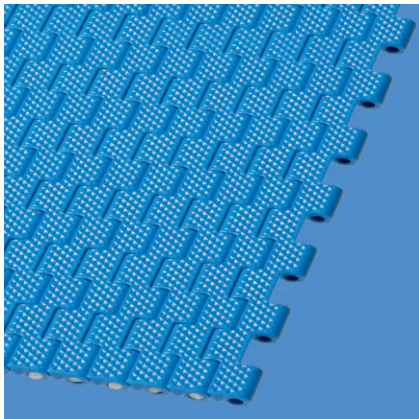
SERIES 13 | BELT TYPES

siegling prolink
modular belts

Straight running belt | Pitch 8 mm (0.31 in)

S13-0 NPY | 0% Opening | Negative pyramid

Closed surface with negative pyramid pattern | Provides superb release characteristics when conveying wet or sticky products | 61 % contact area



Belt dimensions

	p	d _{pin}	h _m	h _{pin}	h _s	W _{min}	W _{inc}	W _{tol}	Minimum flex radii ¹⁾				
	Pitch	Pin Ø	Thickness [mm]	Pin position [mm]	Height [mm]	Width min. [mm]	Width Increment [mm]	Width tolerance [%]	r1	r2	r3	r4	r5
mm	8.0	3.0	6.0	3.0	0.0	101.6	25.4	±0.2	–	3.0	16.0	24.0	8.0
inch	0.31	0.12	0.24	0.12	0.0	4.02	1.0	±0.2	–	0.12	0.63	0.94	0.31

Available standard materials⁴⁾

Belt		Pin		Nominal belt pull, straight		Weight		Width deviation	Temperature		Certificates	
Material	Color	Material	Color	[N/mm]	[lb/ft]	[kg/m ²]	[lb/ft ²]	[%]	[°C]	[°F]	FDA ²⁾	EU ³⁾
POM	BL	PBT	UC	4	274	5.9	1.21	0.23	-45/90	-49/194	●	●

Mold to width available in: 305 mm (12.0 in)

■ BL (Blue), □ UC (Uncolored)

All measurements and tolerances apply at 21 °C; for temperature deviations please see Prolink manual chapter 4.4 "Temperature influence".

All imperial dimensions (inches) are rounded off.

¹⁾ Flex radii: r1 = side flex, r2 = front flex on roller, r3 = back flex on load bearing roller, r4 = back flex on Hold Down shoe, r5 = back flex on roller

²⁾ Complies with FDA 21 CFR

³⁾ Complies with (EU) 10/2011 and (EC) 1935/2004 regulations regarding the raw materials used and the migration thresholds

⁴⁾ More materials and colors on request



MOVEMENT SYSTEMS

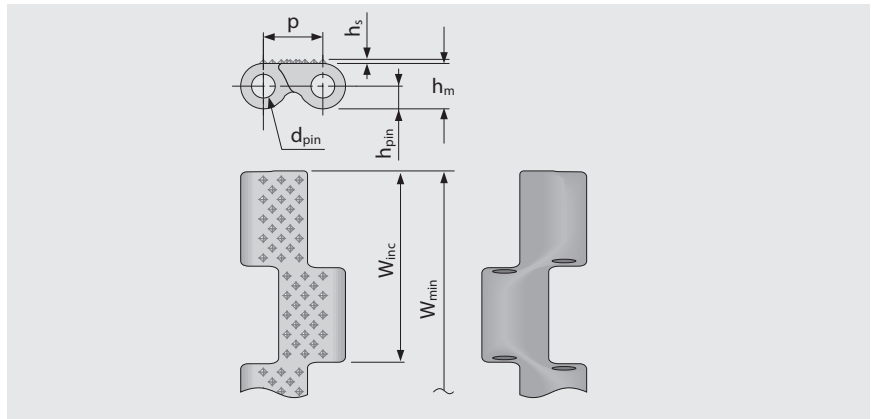
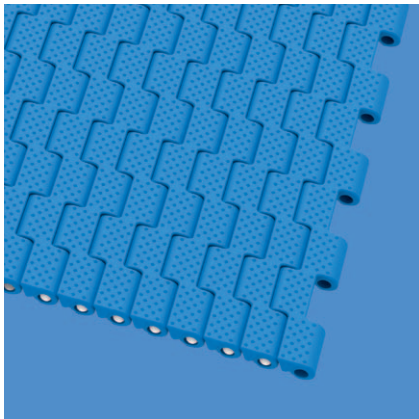
SERIES 13 | BELT TYPES

siegling prolink
modular belts

Straight running belt | Pitch 8 mm (0.31 in)

S13-0 CTP | 0% Opening | Cone top (pointed studs)

Closed surface and pointed studs | Cone top surface pattern for superior grip



Belt dimensions

	p	d _{pin}	h _m	h _{pin}	h _s	W _{min}	W _{inc}	W _{tol}	Minimum flex radii ¹⁾				
	Pitch	Pin Ø	Thickness [mm]	Pin position [mm]	Height [mm]	Width min. [mm]	Width Increment [mm]	Width tolerance [%]	r1	r2	r3	r4	r5
mm	8.0	3.0	6.0	3.0	0.4	101.6	25.4	±0.2	–	3.0	16.0	24.0	8.0
inch	0.31	0.12	0.24	0.12	0.02	4.0	1.0	±0.2	–	0.12	0.63	0.94	0.31

Available standard materials⁴⁾

Belt		Pin		Nominal belt pull, straight		Weight		Width deviation	Temperature		Certificates	
Material	Color	Material	Color	[N/mm]	[lb/ft]	[kg/m ²]	[lb/ft ²]	[%]	[°C]	[°F]	FDA ²⁾	EU ³⁾
POM	BL	PBT	UC	4	274	5.9	1.21	0.23	-45/90	-49/194	●	●
PA*	BL	PBT	UC	4	274	5.1	1.04	1.38	-40/120	-40/248	●	●

Mold to width available in: 305 mm (12.0 in)

* Values valid for dry applications (RH < 50%). Belts in PA material will absorb water in wet environments, causing them to expand and reduce the nominal belt pull capacity.

■ BL (Blue), □ UC (Uncolored)

All measurements and tolerances apply at 21 °C; for temperature deviations please see Prolink manual chapter 4.4 "Temperature influence".

All imperial dimensions (inches) are rounded off.

¹⁾ Flex radii: r1 = side flex, r2 = front flex on roller, r3 = back flex on load bearing roller, r4 = back flex on Hold Down shoe, r5 = back flex on roller

²⁾ Complies with FDA 21 CFR

³⁾ Complies with (EU) 10/2011 and (EC) 1935/2004 regulations regarding the raw materials used and the migration thresholds

⁴⁾ More materials and colors on request



MOVEMENT SYSTEMS

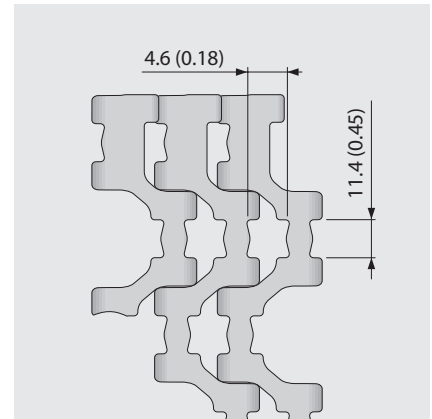
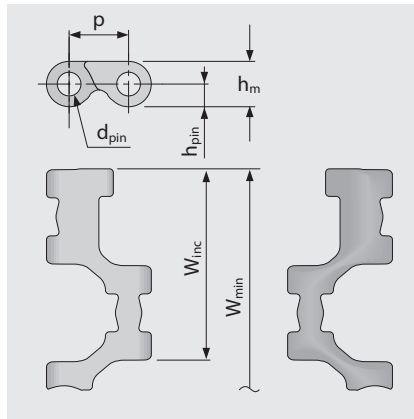
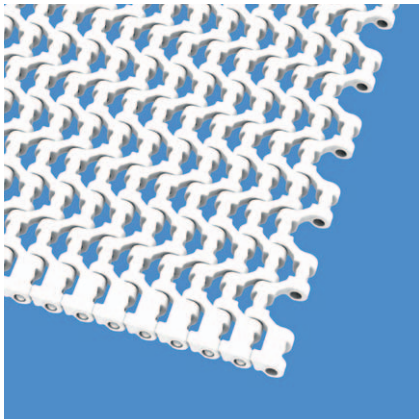
SERIES 13 | BELT TYPES

siegling prolink
modular belts

Straight running belt | Pitch 8 mm (0.31 in)

S13-34 FLT | 34% Opening | Flat top

Open area (34%) for excellent air circulation and drainage | 47% contact area (Largest opening: 11.4 x 4.6 mm/0.45 x 0.18 in);
Smooth surface | Easy-to-clean



Belt dimensions

	p	d _{pin}	h _m	h _{pin}	h _s	W _{min}	W _{inc}	W _{tol}	Minimum flex radii ¹⁾				
	Pitch	Pin Ø	Thickness [mm]	Pin position [mm]	Height [mm]	Width min. [mm]	Width Increment [mm]	Width tolerance [%]	r1	r2	r3	r4	r5
mm	8.0	3.0	6.0	3.0	0.0	101.6	25.4	±0.2	-	3.0	16.0	24.0	8.0
inch	0.31	0.12	0.24	0.12	0.0	4.0	1.0	±0.2	-	0.12	0.63	0.94	0.31

Available standard materials⁴⁾

Belt		Pin		Nominal belt pull, straight		Weight		Width deviation	Temperature		Certificates	
Material	Color	Material	Color	[N/mm]	[lb/ft]	[kg/m ²]	[lb/ft ²]	[%]	[°C]	[°F]	FDA ²⁾	EU ³⁾
POM	WT	PBT	UC	4	274	4.3	0.88	0.23	-45/90	-49/194	●	●
POM	BL	PBT	UC	4	274	4.3	0.88	0.23	-45/90	-49/194	●	●
PA*	BL	PBT	UC	4	274	3.7	0.76	1.38	-40/120	-40/248	●	●

Mold to width available in: 305 mm (12.0 in)

* Values valid for dry applications (RH < 50%). Belts in PA material will absorb water in wet environments, causing them to expand and reduce the nominal belt pull capacity.

■ BL (Blue), □ UC (Uncolored), □ WT (White)

All measurements and tolerances apply at 21 °C; for temperature deviations please see Prolink manual chapter 4.4 "Temperature influence".

All imperial dimensions (inches) are rounded off.

¹⁾ Flex radii: r1 = side flex, r2 = front flex on roller, r3 = back flex on load bearing roller, r4 = back flex on Hold Down shoe, r5 = back flex on roller

²⁾ Complies with FDA 21 CFR

³⁾ Complies with (EU) 10/2011 and (EC) 1935/2004 regulations regarding the raw materials used and the migration thresholds

⁴⁾ More materials and colors on request



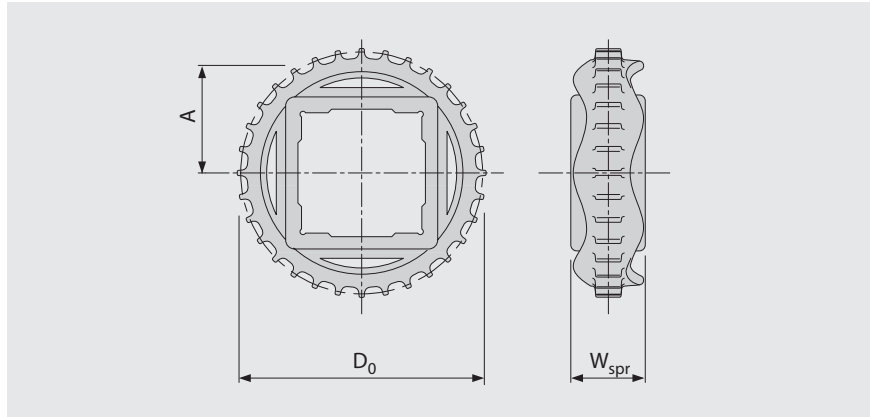
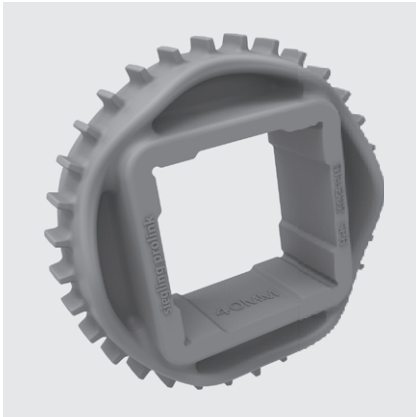
MOVEMENT SYSTEMS

SERIES 13 | SPROCKETS

siegling prolink
modular belts

Straight running belt | Pitch 8 mm (0.31 in)

S13 SPR | Sprockets



Main dimensions

Sprocket size (Number of teeth)		Z15	Z24	Z32	Z48
W _{spr}	mm	25.0	25.0	25.0	25.0
	inch	0.98	0.98	0.98	0.98
D ₀	mm	39.1	62.3	82.9	124.2
	inch	1.54	2.45	3.26	4.89
A _{max}	mm	16.6	28.2	38.5	59.1
	inch	0.65	1.11	1.52	2.33
A _{min}	mm	16.2	27.9	38.3	59.0
	inch	0.64	1.10	1.51	2.32

Shaft bores (● = Round, ■ = Square)

20	mm	●/■			
25	mm		●		
40	mm			■	■
0.75	inch	●			
1	inch		●		
1.5	inch			■	■

Material: PA, Color: LG











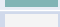
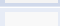


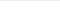
■ LG (Light gray)

All measurements and tolerances apply at 21 °C; for temperature deviations please see Prolink manual chapter 4.4 "Temperature influence".

All imperial dimensions (inches) are rounded off.

For detailed sprocket and shaft dimensions see appendix 6.3.

LEGEND

① Series		④ Type		⑥ Material		⑦ Color*	
S1 ... S15		A90	Angle 90° to conveying direction	PA	Polyamide	AT	Anthracite 
② Open area/Sprocket size		BPU	Bucket profile	PA-HT	Polyamide high temperature	BG	Beige 
Percentage open area		CCW	Counter clockwise	PBT	Polybutylentere-phthalate	BK	Black 
Format: xx		CLP	Clip	PE	Polyethylene	BL	Blue 
E.g. 20 = 20 %		CM	Center module	PE-MD	PE metal detectable	DB	Dark blue 
For sprockets: number of teeth		CW	Clockwise	POM	Polyoxymethylene (Polyacetal)	GN	Green 
Format: "Z"xx		FPL	Finger plate	POM-CR	POM cut resistant	LB	Light blue 
E.g. Z12 = 12 teeth		IDL	Idler	POM-HC	POM highly conductive	LG	Light gray 
③ Surface pattern		PIN	Coupling rod	POM-MD	POM metal detectable	OR	Orange 
BSL	Base module for slider	PMC	Profile module center	POM-PE	POM side modules + PE center modules	RE	Red 
CTP	Cone top	PMU	Profile module universal	POM-PP	POM side modules + PP center modules	TQ	Turquoise 
CUT	Curved top	PMU lxx	Profile module universal with indent xx = indent in mm	PP	Polypropylene	TR	Transparent 
FLT	Flat top (smooth)	RI	High Grip insert	PXX-HC	Self-extinguishing highly conductive material	UC	Uncolored 
FRT-OG	Friction top without High Grip insert	RTR	Retaining ring	R1	TPE 80 Shore A, PP	WT	White 
FRT(X)	Friction top (Design X)	SG	Module with sideguard	R2	EPDM 80 Shore A, vulcanized	YL	Yellow 
GRT	Grid top	SLI	Slider	R3	TPE 70 Shore A, POM	⑧ Height/Diameter/ Bore size and style	
LRB	Lateral rib	SML	Side module, left	R4	TPE 86 Shore A, PP	Height in mm (in)	
MOD	Modified module shape	SMR	Side module, right	R5	TPE 52 Shore A, PP	Format: Hxxx	
NCL	No cling	SMU	Side module, universal/both sides	R6	TPE 63 Shore A, POM	Pin diameter in mm (in)	
NPY	Negative pyramid	SPR	Sprocket	R7	TPE 50 Shore A, PP	Format: Dxxx	
NSK	Non skid	TPL	Turning panel, left	R8	TPE 55 Shore A, PE	Bore size: SQ (= square) or RD (= round)	
NTP	Nub top (round studs)	TPR	Turning panel, right	SER	Self-extinguishing TPE	either in mm or inches	
RAT	Radius top	UM	Universal module	SS	Stainless steel	Format: SQxxxMM or RDxxxIN	
RRB	Raised rib	⑤ Style		TPC1	Thermoplastic Copolyester	⑨ Length/Width	
RSA	Reduced surface area	BT	Bearing tab	-HA	Supports the HACCP concept	Pins Length in mm (in)	
RTP	Roller top	DR	Double row sprocket	-HW	High Wear resistant material	Format: Lxxx	
SRS	Slip-resistant surface	F1, F2, F3 ...	Collapse factor modules	Module width in mm (in)			
		G	Guided	Format: Wxxx			
		GT	Guiding tabs				
		HD	Hold Down				
		RG	Reversed guided				
		SG	Side guard				
		SP	Split sprocket				
		ST	Strong				

* For each series' standard colors please refer to the table of materials for each belt (chapter 1.2). A number of other colors are available on request. Colors can vary from the original due to the print, production processes or material used.