

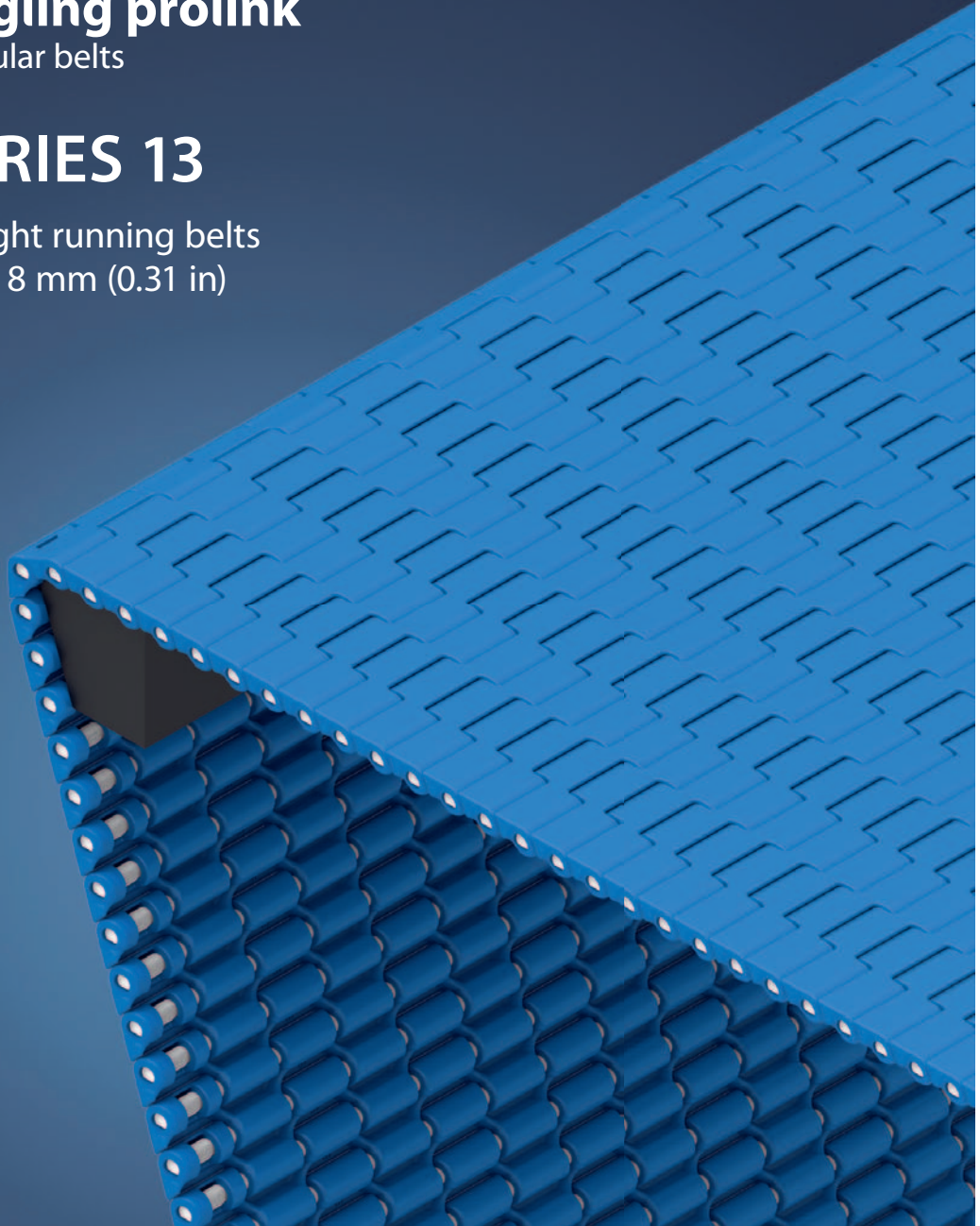
# EXCERPT FROM PROLINK ENGINEERING MANUAL

05/19 (Ref-No. 888)

**siegling prolink**  
modular belts

## SERIES 13

Straight running belts  
Pitch 8 mm (0.31 in)



**Forbo Siegling GmbH**  
Lilienthalstraße 6/8, D-30179 Hannover  
Phone +49 511 6704 0  
[www.forbo-siegling.com](http://www.forbo-siegling.com), [siegling@forbo.com](mailto:siegling@forbo.com)

Ref. no. 888-2\_1.2\_S13

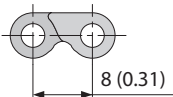
# SERIES 13 | OVERVIEW

siegling prolink  
modular belts

Straight running belts | Pitch 8 mm (0.31 in)

## Belts for light-duty food and non-food nose bar applications

### Side view scale 1:1



### Design characteristics

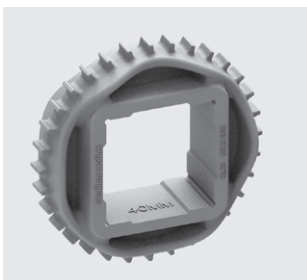
- Micro pitch belt with small transfer gaps
- Designed to run over nosebars/knife edges or rollers with a radius down to 3 mm (0.12 in) allowing, precise transfer of even the smallest products
- Versatile for conveying, drying and cooling applications
- Optimal design of sprocket teeth, and belt underside provides superior sprocket engagement, safe belt tracking and favorable cleanability
- Belt and sprocket design ensures superior load transmission and belt pull capacity
- Headless pin making it very easy to install and remove the belt for maintenance

### Basic data

Pitch	8 mm (0.31 in)
Belt width min.	102 mm (4 in)
Width increments	25.4 mm (1 in)
Hinge pins	3 mm (0.12 in) made of plastic (PBT)

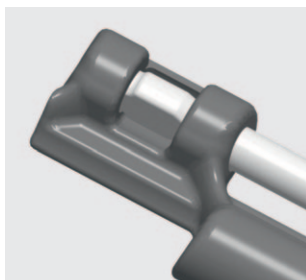
### Sprockets

In different sizes with round or square sprocket bore

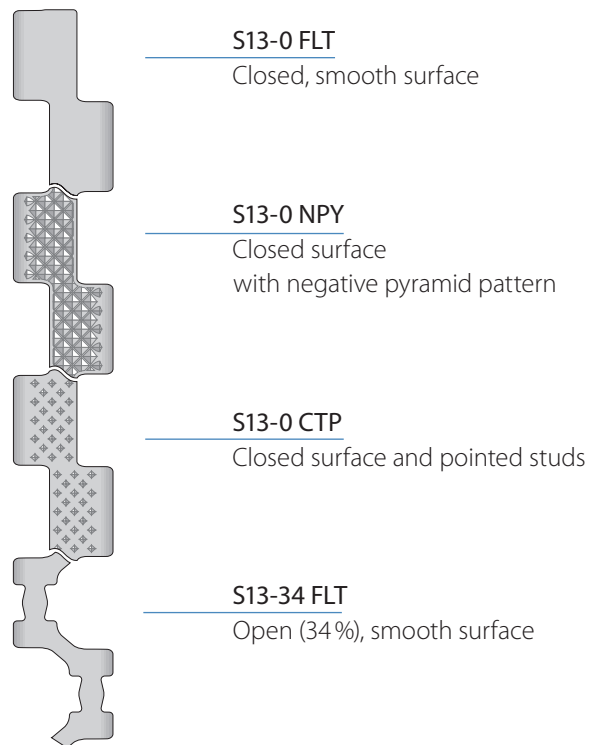


### Detail hinge pin

Headless pin with unique shoulder design ensures trouble free installation, maintenance and a secure pin retention



### Available surface pattern and opening area

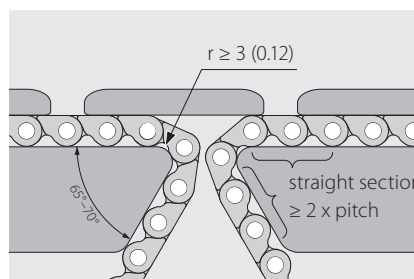


Certified

NSF-compliant from these certified Forbo plants:  
Huntersville (USA), Malacky (Slovakia), NSW (Australia),  
Tlalnepantla (Mexico), Saint-Petersburg (Russia),  
Shizuoka (Japan), Maharashtra (India)

### Detail nose bar

Narrow transfer gap ensures smooth transfer of small and delicate products



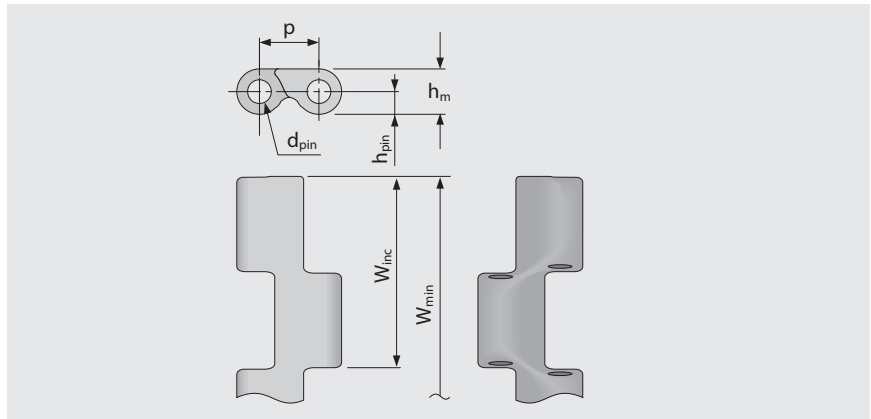
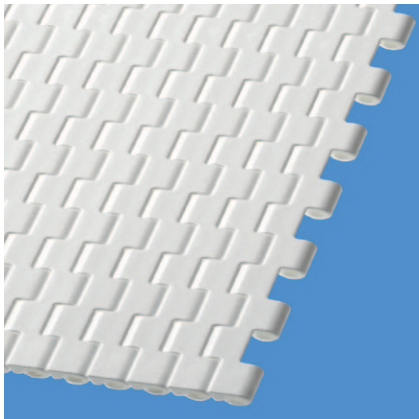
# SERIES 13 | BELT TYPES

siegling prolink  
modular belts

Straight running belt | Pitch 8 mm (0.31 in)

## S13-0 FLT | 0% Opening | Flat top

Closed, smooth surface | Flat top surface



### Belt dimensions

	p	d <sub>pin</sub>	h <sub>m</sub>	h <sub>pin</sub>	h <sub>s</sub>	W <sub>min</sub>	W <sub>inc</sub>	W <sub>tol</sub>	Minimum flex radii <sup>1)</sup>				
	Pitch	Pin Ø	Thickness [mm]	Pin position [mm]	Height [mm]	Width min. [mm]	Width Increment [mm]	Width tolerance [%]	r1	r2	r3	r4	r5
mm	8.0	3.0	6.0	3.0	0.0	101.6	25.4	±0.2	–	3.0	16.0	24.0	8.0
inch	0.31	0.12	0.24	0.12	0.0	4.02	1.0	±0.2	–	0.12	0.63	0.94	0.31

### Available standard materials<sup>4)</sup>

Belt		Pin		Nominal belt pull, straight		Weight		Width deviation	Temperature		Certificates	
Material	Color	Material	Color	[N/mm]	[lb/ft]	[kg/m <sup>2</sup> ]	[lb/ft <sup>2</sup> ]	[%]	[°C]	[°F]	FDA <sup>2)</sup>	EU <sup>3)</sup>
POM	WT	PBT	UC	4	274	5.9	1.21	0.23	-45/90	-49/194	●	●
POM	BL	PBT	UC	4	274	5.9	1.21	0.23	-45/90	-49/194	●	●
PA*	BL	PBT	UC	4	274	5.1	1.04	1.38	-40/120	-40/248	●	●

### Mold to order belts

PA*	LG	PBT	UC	4	274	5.1	1.04	1.38	-40/120	-40/248	●	●
PXX-HC	BK	PBT	UC	2	137	5.2	1.07	0.89	5/100	41/212	–	–

Mold to width available in: 305 mm (12.0 in)

\* Values valid for dry applications (RH < 50%). Belts in PA material will absorb water in wet environments, causing them to expand and reduce the nominal belt pull capacity.

■ BK (Black), ■ BL (Blue), ■ LG (Light gray), □ UC (Uncolored), □ WT (White)

All measurements and tolerances apply at 21 °C; for temperature deviations please see Prolink manual chapter 4.4 "Temperature influence".

All imperial dimensions (inches) are rounded off.

<sup>1)</sup> Flex radii: r1 = side flex, r2 = front flex on roller, r3 = back flex on load bearing roller, r4 = back flex on Hold Down shoe, r5 = back flex on roller

<sup>2)</sup> Complies with FDA 21 CFR

<sup>3)</sup> Complies with (EU) 10/2011 and (EC) 1935/2004 regulations regarding the raw materials used and the migration thresholds

<sup>4)</sup> More materials and colors on request



MOVEMENT SYSTEMS

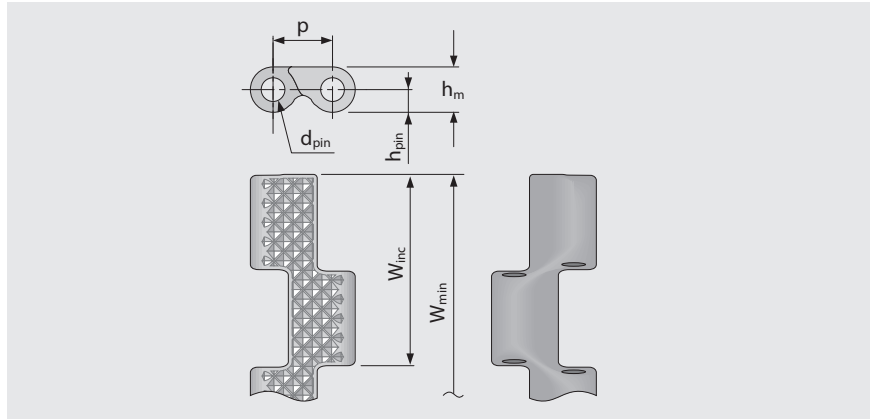
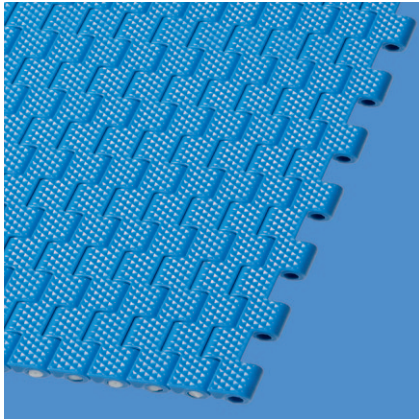
# SERIES 13 | BELT TYPES

siegling prolink  
modular belts

Straight running belt | Pitch 8 mm (0.31 in)

## S13-0 NPY | 0% Opening | Negative pyramid

Closed surface with negative pyramid pattern | Provides superb release characteristics when conveying wet or sticky products | 61 % contact area



### Belt dimensions

	p	d <sub>pin</sub>	h <sub>m</sub>	h <sub>pin</sub>	h <sub>s</sub>	W <sub>min</sub>	W <sub>inc</sub>	W <sub>tol</sub>	Minimum flex radii <sup>1)</sup>				
	Pitch	Pin Ø	Thickness [mm]	Pin position [mm]	Height [mm]	Width min. [mm]	Width Increment [mm]	Width tolerance [%]	r1	r2	r3	r4	r5
mm	8.0	3.0	6.0	3.0	0.0	101.6	25.4	±0.2	–	3.0	16.0	24.0	8.0
inch	0.31	0.12	0.24	0.12	0.0	4.02	1.0	±0.2	–	0.12	0.63	0.94	0.31

### Available standard materials<sup>4)</sup>

Belt		Pin		Nominal belt pull, straight		Weight		Width deviation	Temperature		Certificates	
Material	Color	Material	Color	[N/mm]	[lb/ft]	[kg/m <sup>2</sup> ]	[lb/ft <sup>2</sup> ]	[%]	[°C]	[°F]	FDA <sup>2)</sup>	EU <sup>3)</sup>
POM	BL	PBT	UC	4	274	5.9	1.21	0.23	-45/90	-49/194	●	●

Mold to width available in: 305 mm (12.0 in)

■ BL (Blue), □ UC (Uncolored)

All measurements and tolerances apply at 21 °C; for temperature deviations please see Prolink manual chapter 4.4 "Temperature influence".

All imperial dimensions (inches) are rounded off.

<sup>1)</sup> Flex radii: r1 = side flex, r2 = front flex on roller, r3 = back flex on load bearing roller, r4 = back flex on Hold Down shoe, r5 = back flex on roller

<sup>2)</sup> Complies with FDA 21 CFR

<sup>3)</sup> Complies with (EU) 10/2011 and (EC) 1935/2004 regulations regarding the raw materials used and the migration thresholds

<sup>4)</sup> More materials and colors on request



MOVEMENT SYSTEMS

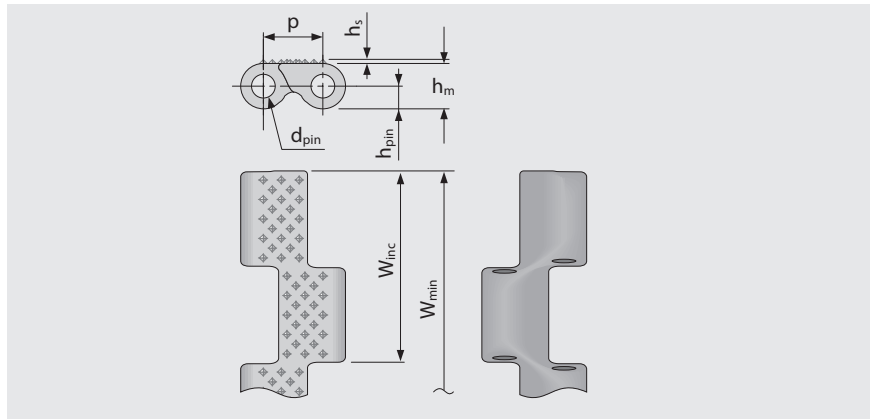
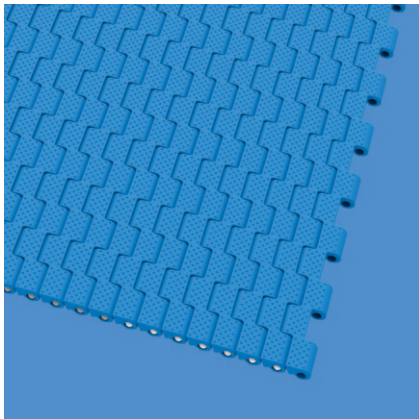
# SERIES 13 | BELT TYPES

siegling prolink  
modular belts

Straight running belt | Pitch 8 mm (0.31 in)

## S13-0 CTP | 0% Opening | Cone top (pointed studs)

Closed surface and pointed studs | Cone top surface pattern for superior grip



### Belt dimensions

	p	d <sub>pin</sub>	h <sub>m</sub>	h <sub>pin</sub>	h <sub>s</sub>	W <sub>min</sub>	W <sub>inc</sub>	W <sub>tol</sub>	Minimum flex radii <sup>1)</sup>				
	Pitch	Pin Ø	Thickness [mm]	Pin position [mm]	Height [mm]	Width min. [mm]	Width Increment [mm]	Width tolerance [%]	r1	r2	r3	r4	r5
mm	8.0	3.0	6.0	3.0	0.4	101.6	25.4	±0.2	–	3.0	16.0	24.0	8.0
inch	0.31	0.12	0.24	0.12	0.02	4.0	1.0	±0.2	–	0.12	0.63	0.94	0.31

### Available standard materials<sup>4)</sup>

Belt		Pin		Nominal belt pull, straight		Weight		Width deviation	Temperature		Certificates	
Material	Color	Material	Color	[N/mm]	[lb/ft]	[kg/m <sup>2</sup> ]	[lb/ft <sup>2</sup> ]	[%]	[°C]	[°F]	FDA <sup>2)</sup>	EU <sup>3)</sup>
POM	BL	PBT	UC	4	274	5.9	1.21	0.23	-45/90	-49/194	●	●
PA*	BL	PBT	UC	4	274	5.1	1.04	1.38	-40/120	-40/248	●	●

Mold to width available in: 305 mm (12.0 in)

\* Values valid for dry applications (RH < 50%). Belts in PA material will absorb water in wet environments, causing them to expand and reduce the nominal belt pull capacity.

■ BL (Blue), □ UC (Uncolored)

All measurements and tolerances apply at 21 °C; for temperature deviations please see ProLink manual chapter 4.4 "Temperature influence". All imperial dimensions (inches) are rounded off.

<sup>1)</sup> Flex radii: r1 = side flex, r2 = front flex on roller, r3 = back flex on load bearing roller, r4 = back flex on Hold Down shoe, r5 = back flex on roller

<sup>2)</sup> Complies with FDA 21 CFR

<sup>3)</sup> Complies with (EU) 10/2011 and (EC) 1935/2004 regulations regarding the raw materials used and the migration thresholds

<sup>4)</sup> More materials and colors on request



MOVEMENT SYSTEMS

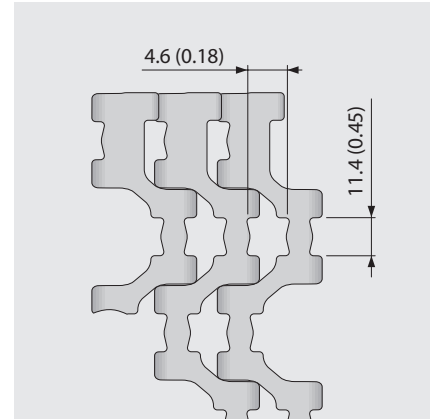
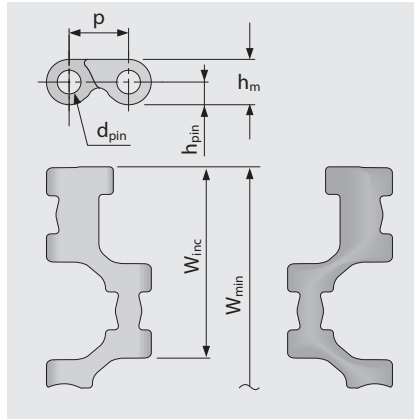
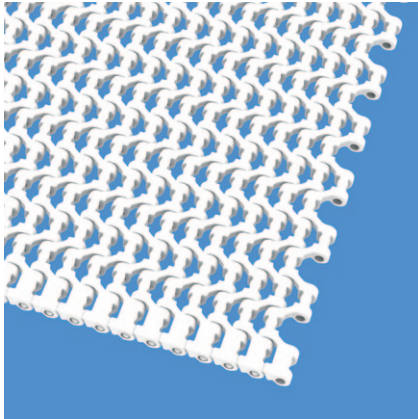
# SERIES 13 | BELT TYPES

siegling prolink  
modular belts

Straight running belt | Pitch 8 mm (0.31 in)

## S13-34 FLT | 34% Opening | Flat top

Open area (34%) for excellent air circulation and drainage | 47% contact area (Largest opening: 11.4 x 4.6 mm/0.45 x 0.18 in);  
Smooth surface | Easy-to-clean



### Belt dimensions

	p	d <sub>pin</sub>	h <sub>m</sub>	h <sub>pin</sub>	h <sub>s</sub>	W <sub>min</sub>	W <sub>inc</sub>	W <sub>tol</sub>	Minimum flex radii <sup>1)</sup>				
	Pitch	Pin Ø	Thickness [mm]	Pin position [mm]	Height [mm]	Width min. [mm]	Width Increment [mm]	Width tolerance [%]	r1	r2	r3	r4	r5
mm	8.0	3.0	6.0	3.0	0.0	101.6	25.4	±0.2	–	3.0	16.0	24.0	8.0
inch	0.31	0.12	0.24	0.12	0.0	4.0	1.0	±0.2	–	0.12	0.63	0.94	0.31

### Available standard materials<sup>4)</sup>

Belt		Pin		Nominal belt pull, straight		Weight		Width deviation	Temperature		Certificates	
Material	Color	Material	Color	[N/mm]	[lb/ft]	[kg/m <sup>2</sup> ]	[lb/ft <sup>2</sup> ]	[%]	[°C]	[°F]	FDA <sup>2)</sup>	EU <sup>3)</sup>
POM	WT	PBT	UC	4	274	4.3	0.88	0.23	-45/90	-49/194	●	●
POM	BL	PBT	UC	4	274	4.3	0.88	0.23	-45/90	-49/194	●	●
PA*	BL	PBT	UC	4	274	3.7	0.76	1.38	-40/120	-40/248	●	●

Mold to width available in: 305 mm (12.0 in)

\* Values valid for dry applications (RH < 50%). Belts in PA material will absorb water in wet environments, causing them to expand and reduce the nominal belt pull capacity.

■ BL (Blue), □ UC (Uncolored), □ WT (White)

All measurements and tolerances apply at 21 °C; for temperature deviations please see Prolink manual chapter 4.4 "Temperature influence".

All imperial dimensions (inches) are rounded off.

<sup>1)</sup> Flex radii: r1 = side flex, r2 = front flex on roller, r3 = back flex on load bearing roller, r4 = back flex on Hold Down shoe, r5 = back flex on roller

<sup>2)</sup> Complies with FDA 21 CFR

<sup>3)</sup> Complies with (EU) 10/2011 and (EC) 1935/2004 regulations regarding the raw materials used and the migration thresholds

<sup>4)</sup> More materials and colors on request



MOVEMENT SYSTEMS

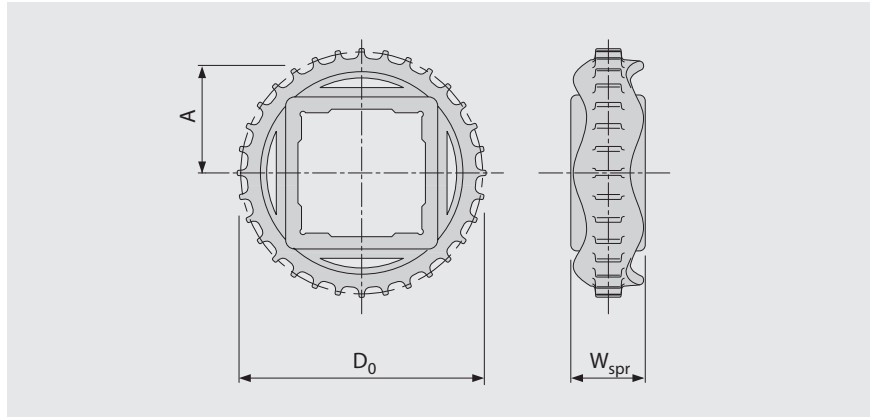
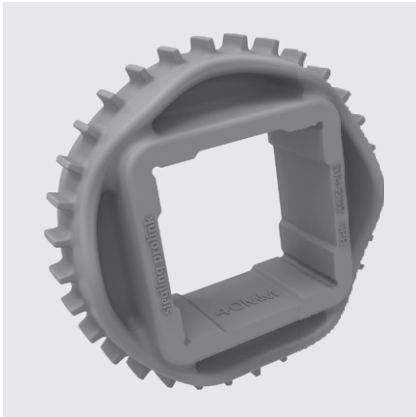


# SERIES 13 | SPROCKETS

siegling prolink  
modular belts

Straight running belt | Pitch 8 mm (0.31 in)

## S13 SPR | Sprockets



### Main dimensions

Sprocket size (Number of teeth)		Z15	Z24	Z32	Z48
W <sub>spr</sub>	mm	25.0	25.0	25.0	25.0
	inch	0.98	0.98	0.98	0.98
D <sub>0</sub>	mm	39.1	62.3	82.9	124.2
	inch	1.54	2.45	3.26	4.89
A <sub>max</sub>	mm	16.6	28.2	38.5	59.1
	inch	0.65	1.11	1.52	2.33
A <sub>min</sub>	mm	16.2	27.9	38.3	59.0
	inch	0.64	1.10	1.51	2.32

### Shaft bores (● = Round, ■ = Square)

20	mm	●/■			
25	mm		●		
40	mm			■	■
0.75	inch	●			
1	inch		●		
1.5	inch			■	■

Material: PA, Color: LG

■ LG (Light gray)

All measurements and tolerances apply at 21 °C; for temperature deviations please see Prolink manual chapter 4.4 "Temperature influence".

All imperial dimensions (inches) are rounded off.

For detailed sprocket and shaft dimensions see appendix 6.3.



MOVEMENT SYSTEMS

# LEGEND

<b>① Series</b>		<b>④ Type</b>		<b>⑥ Material</b>		<b>⑦ Color*</b>	
S1 ... S15		<b>A90</b>	Angle 90° to conveying direction	<b>PA</b>	Polyamide	<b>AT</b>	Anthracite
<b>② Open area/Sprocket size</b>		<b>BPU</b>	Bucket profile	<b>PA-HT</b>	Polyamide high temperature	<b>BL</b>	Blue
Percentage open area		<b>CM</b>	Center module	<b>PBT</b>	Polybutylentere-phthalate	<b>BG</b>	Beige
Format: xx		<b>SML</b>	Side module, left	<b>PE</b>	Polyethylene	<b>BK</b>	Black
E.g. 20 = 20%		<b>SMR</b>	Side module, right	<b>PE-MD</b>	PE metal detectable	<b>DB</b>	Dark blue
For sprockets: number of teeth		<b>SMU</b>	Side module, universal/both sides	<b>POM</b>	Polyoxymethylene (Polyacetal)	<b>GN</b>	Green
Format: "Z"xx		<b>UM</b>	Universal module	<b>POM-CR</b>	POM cut resistant	<b>LB</b>	Light blue
E.g. Z12 = 12 teeth		<b>PMC</b>	Profile module center	<b>POM-HC</b>	POM highly conductive	<b>LG</b>	Light gray
<b>③ Surface pattern</b>		<b>PMU</b>	Profile module universal	<b>POM-MD</b>	POM metal detectable	<b>OR</b>	Orange
<b>BSL</b>	Base module for slider	<b>PMU lxx</b>	Profile module universal with indent xx = indent in mm	<b>PP</b>	Polypropylene	<b>RE</b>	Red
<b>CTP</b>	Cone top	<b>CLP</b>	Clip	<b>PXX-HC</b>	Self-extinguishing highly conductive material	<b>TR</b>	Transparent
<b>FLT</b>	Flat top (smooth)	<b>IDL</b>	Idler	<b>POM-PE</b>	POM side modules + PE center modules	<b>TQ</b>	Turquoise
<b>FRT(X)</b>	Friction top (Design X)	<b>RI</b>	High Grip insert	<b>POM-PP</b>	POM side modules + PP center modules	<b>UC</b>	Uncolored
<b>FRT-OG</b>	FRT without High Grip insert	<b>SG</b>	Module with sideguard	<b>R1</b>	TPE 80 Shore A, PP	<b>WT</b>	White
<b>GRT</b>	Grid top	<b>PIN</b>	Coupling rod	<b>R2</b>	EPDM 80 Shore A, vulcanized	<b>YL</b>	Yellow
<b>LRB</b>	Lateral rib	<b>FPL</b>	Finger plate	<b>R3</b>	TPE 70 Shore A, PP		
<b>MOD</b>	Modified module shape	<b>SLI</b>	Slider	<b>R4</b>	TPE 86 Shore A, PP		
<b>NCL</b>	No cling	<b>SPR</b>	Sprocket	<b>R5</b>	TPE 52 Shore A, PP		
<b>NPY</b>	Negative pyramid	<b>RTR</b>	Retaining ring	<b>R6</b>	TPE 63 Shore A, POM		
<b>NSK</b>	Non skid	<b>TPL</b>	Turning panel, left	<b>R7</b>	TPE 50 Shore A, PP		
<b>NTP</b>	Nub top (round studs)	<b>TPR</b>	Turning panel, right	<b>R8</b>	TPE 55 Shore A, PE		
<b>RAT</b>	Radius top	<b>CW</b>	Clockwise	<b>SER</b>	Self-extinguishing TPE		
<b>RSA</b>	Reduced surface area	<b>CCW</b>	Counterclockwise	<b>SS</b>	Stainless steel		
<b>RTP</b>	Roller top			<b>TPC1</b>	Thermoplastic Copolyester		
<b>RRB</b>	Raised rib			<b>-HA</b>	Supports the HACCP concept		
<b>SRS</b>	Slip-resistant surface			<b>-HW</b>	High Wear resistant material		
		<b>⑤ Style</b>				<b>⑧ Height/Diameter/ Bore size and style</b>	
		<b>BT</b>	Bearing tap			Height in mm	
		<b>G</b>	Guided			Format: Hxxx	
		<b>GT</b>	Guiding tabs			Pin diameter in mm	
		<b>RG</b>	Reversed guided			Format: Dxxx	
		<b>SG</b>	Side guard			Bore size: SQ (= square) or RD (= round)	
		<b>ST</b>	Strong (S5)			either in mm or inches	
		<b>DR</b>	Double row sprocket			Format: SQxxMM or RDxxIN	
		<b>SP</b>	Split sprocket			<b>⑨ Length/Width</b>	
		<b>F1, F2, F3 ...</b>	Collapse factor modules			Pins Length in mm	
		<b>HD</b>	Hold Down			Format: Lxxx	
						Module width in mm	
						Format: Wxxx	

\* For each series' standard colors please refer to the table of materials for each belt (chapter 1.2). A number of other colors are available on request. Colors can vary from the original due to the print, production processes or material used.