

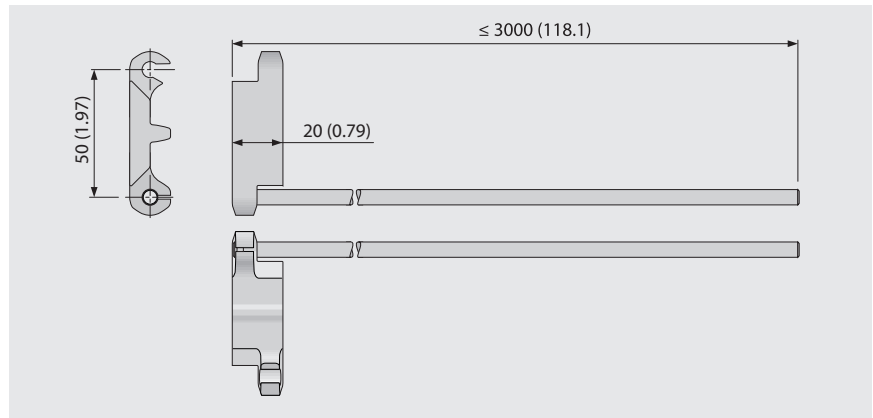
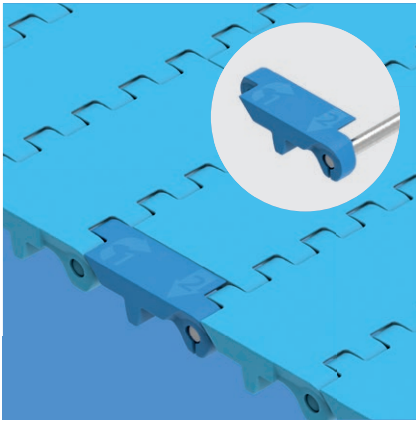
# SERIES 6.1 | PROSNAP

siegling prolink  
modular belts

Straight running belt | Pitch 50 mm (1.97 in)

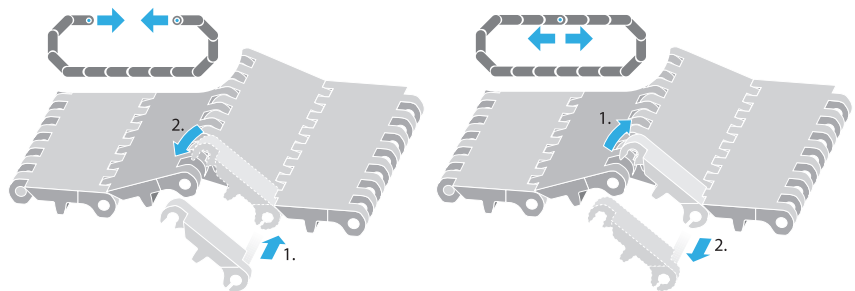
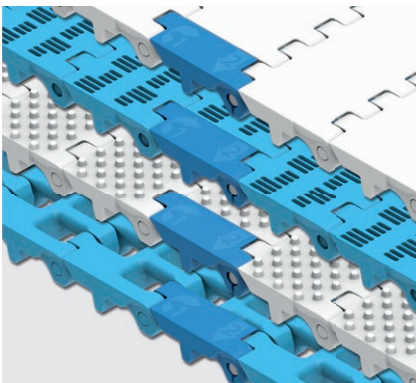
## S6.1-0 FLT PSP | ProSnap

Quick-Release for easy, quick and toolless opening and closing of the belt | One pin solution for entire belt width



### Basic data

Module		Pin	
Material	Color	Material	Length [mm (in)]
POM	BL	SS	≤ 3000 (118)
Mold to order			
POM-MD	BL	SS	≤ 3000 (118)



■ BL (Blue)

All measurements and tolerances apply at 21 °C; for temperature deviations please see Prolink manual chapter 4.4 "Temperature influence".

All imperial dimensions (inches) are rounded off.

Note: Use of accessory in a belt may impact on the minimum design radii. Please see chapter 6.3 for further information.



MOVEMENT SYSTEMS