

Installation Guide: Sheet flooring site form covered with Cove Former & Bevel Strip for wet rooms

Product Detailing

Shown example of a sheet flooring pulled up the wall with a cove former and a capping strip. Wall and floor should be clean, dust free and floor surface regularity to be SR1 according to BS8203:2017 (Section 6.2.3) with wall flat and a consistent 90-degree angle to floor to achieve the best installation results. Flooring and PVC profiles are fitted against the wall, floor and each other with a contact adhesive in accordance with the recommendations of the adhesive manufacturer. Such coving should be constant in radius and care should be taken to ensure that they are straight and regular to minimize the formation of voids beneath the floor covering (BS8203:2017 Section 6.12).

Quantum Flooring Accessories

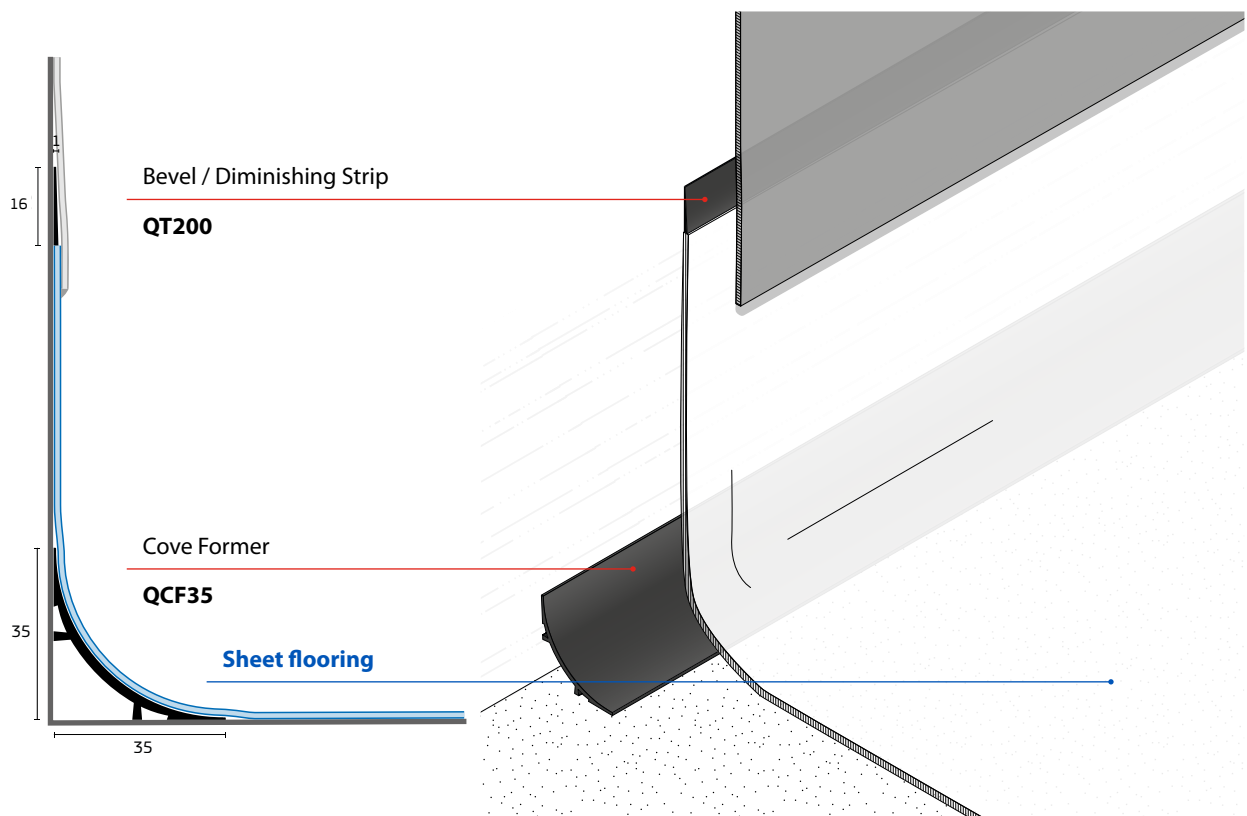
Cove Former QCF35
External Corners EFA75
1mm Dem Strip QT100
2mm Dem Strip QT200
Trimitre Profile CCTM1
External Floormitre CCFM2

Forbo Sheet

Surestep Laguna 2mm
Surestep Star Barefoot 2mm
Safestep Aqua 2mm
Onyx+ 1mm (Sheet Walling)

More information:

<https://www.forbo.com/flooring/en-uk/commercial-products/step-safety-vinyl/wetroom-solutions/bk1co5#teaser>



Specification statement

QUANTUM FLOORING: WET ROOM FLOOR AND WALL ACCESSORIES - FLOORMITRE CAP AND COVE SYSTEM

Internal and external floormitres and formers providing durable corner junctions for the fitting of vinyl floor coverings in wet room areas. Designed to make the fitting of the vinyl in corners of the wall or floor easier, quicker and smoother.

Features and benefits:

- Flexible design options.
- Reduces bacteria build-up.
- Reduces contaminants.
- Eliminates creases and kinks.
- Promotes uniformity.
- Reduced fitting times.

Consult with manufacturer's technical literature for further details.

Manufacturer:

Quantum Flooring Solutions,
a trading name of Quantum Profile Systems Ltd.

Web: www.quantumprofilesystems.com

Tel: +44 (0)161 627 4222

Product reference:

Quantum Flooring: Wet Room Floor and Wall Accessories - Floormitre Cap and Cove System.

Type:

Floormitre: CCFM1 - Internal.
CCFM2 - External.

Cove former: EFA75 - For external verticals.
QCF35 - For floor and internal verticals.

Diminishing strip: QT100 - 1 x 15 mm.
QT200 - 2 x 25 mm.

Product Code	Colour Options	Length
QCF35	Black ●	2m
QT100 / QT200	Black ●	2m